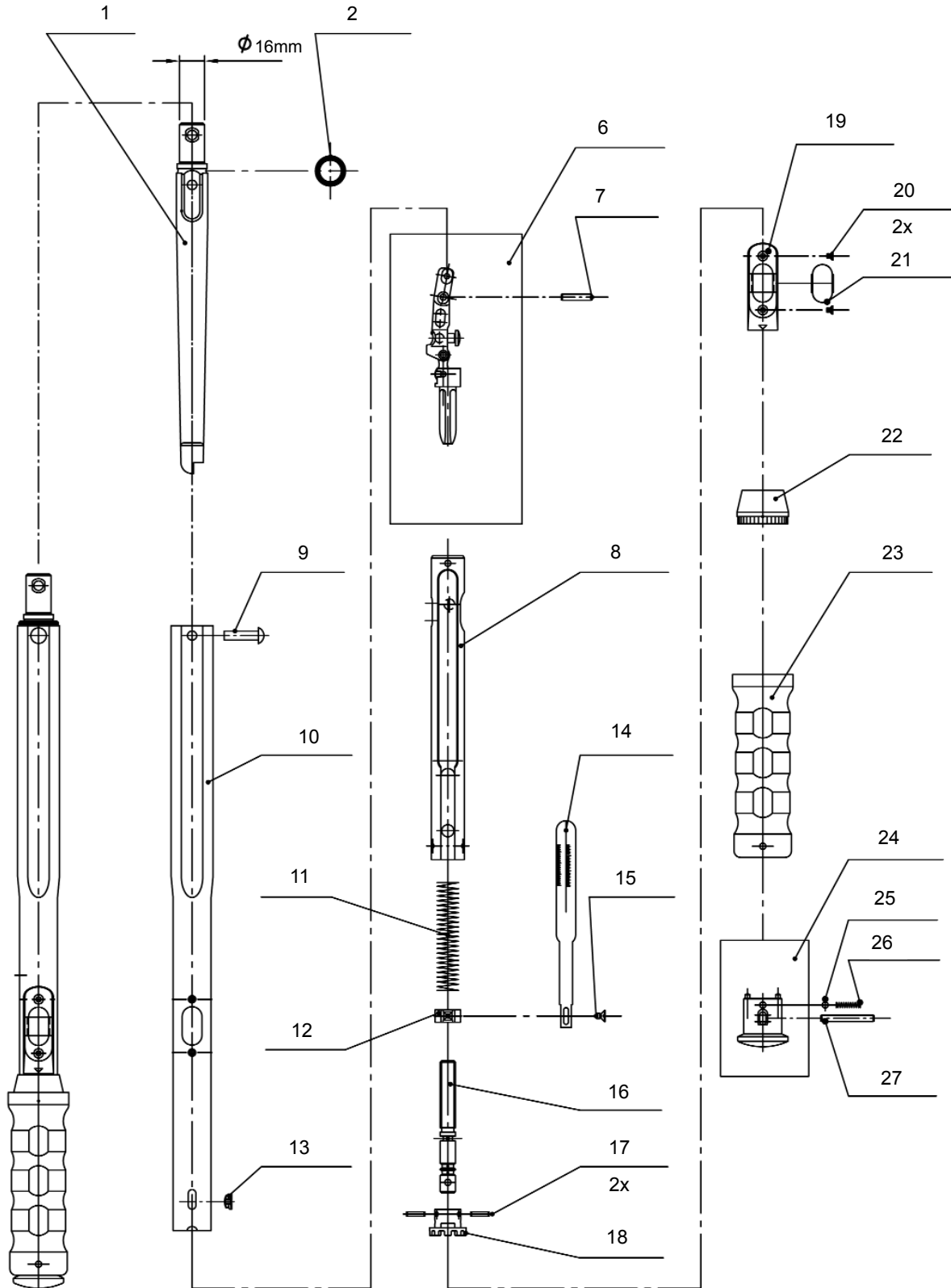


Titan 150F-S Click Wrench (Adjustable)

Rev. 1.0



Titan 150F-S Click Wrench (Adjustable)

Ref #	Part #	Quantity	Description
1	28-1204912	1	Lever 16mm Spigot End
2	28-1197436	1	Seal Ring DIN 3770 15x3.55
6	28-1196448	1	Final Lever 4550-20/12
7	28-1183192	1	Cylindric pin 4m6x21.5
8	28-1201549	1	Spring Housing 4550-20
9	28-1197819	1	Rivet Pin
10	28-1786156	1	280023 Body Tube
11	28-1183982	1	Compression Spring 2.9x16.9x118.5
12	28-1196073	1	Nut M10x1
13	28-1203762	1	Locking Plug 4550-20
14	28-1544780	1	Scale Sheet
15	28-1200291	1	Scale Screw M3x3.8
16	28-1201531	1	Spindle Screw M10x1
17	28-1184075	2	Cylindric pin 3m6x18.8
18	28-1201514	1	Gear
19	28-1544047	1	Scale Frame
20	28-1197959	2	Flat Head screw M3x4.5
21	28-1198378	1	Plastic Window
22	28-1198017	1	Scale ring black
23	28-1197916	1	Handle Black 4550-20
24	28-1446487	1	Lock Knob Black
25	28-1180266	1	Ball 4mm V
26	28-1182749	1	Compression spring 0.4x3.7x8
27	28-1183087	1	Cylindric pin 4m6x36