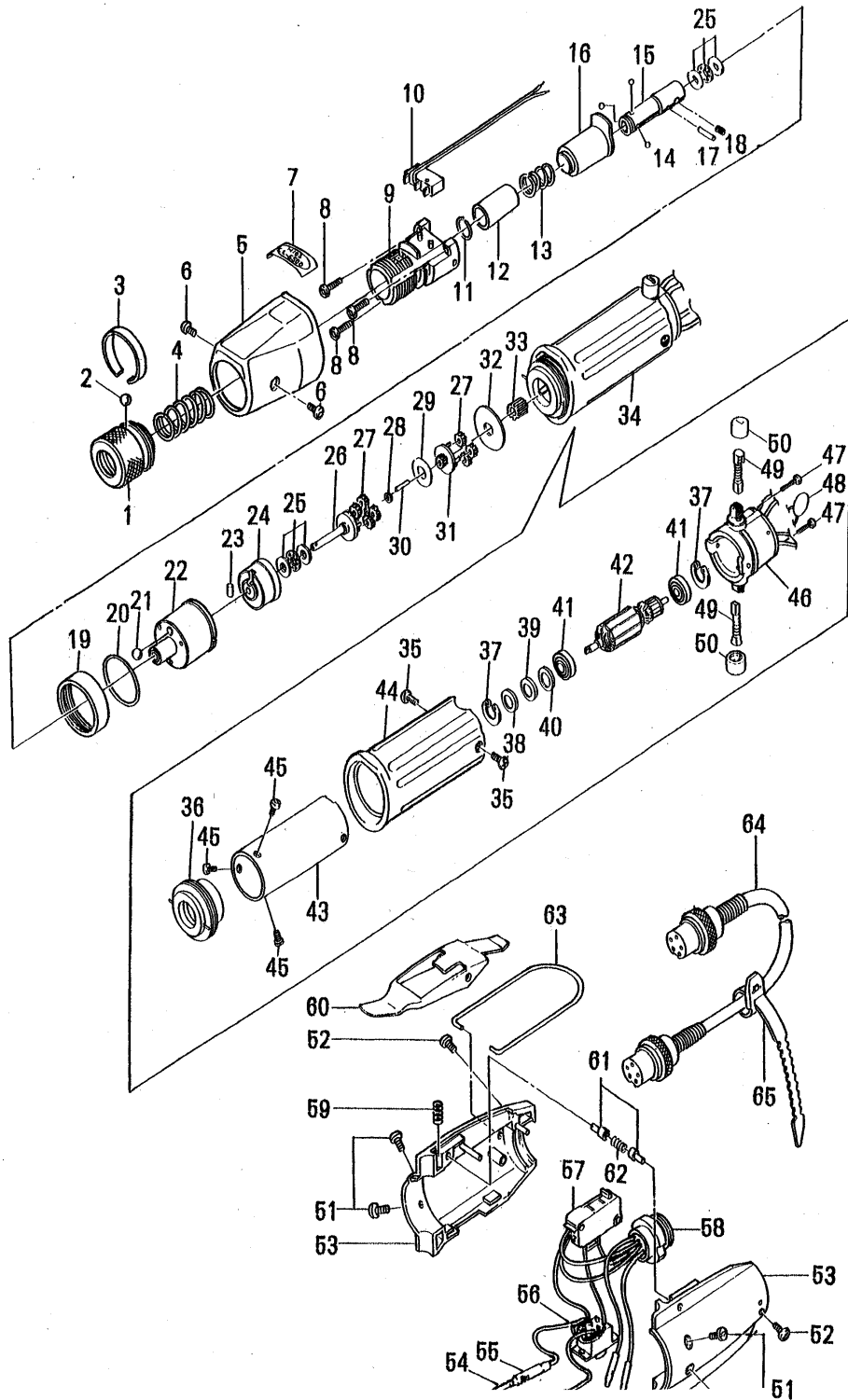


A6500HT

Rev 1.0





A6500HT

Ref#	Part Name	Part#	Ref#	Part Name	Part#
	Transmission Assembly 1 – 33 (w/o 10)	41-A65HT-TM	34	Motor	41-A65-0340
	Torque Adjusting Nut Assembly 1 – 3	41-CL65-NT	35	Motor Case Set Screw 3x5.5 (x2)	41-STB30X055
1	Torque Adjusting Nut	41-CL65-0010	36	Motor Front Cover	41-CL65-0360
2	Knotting Ball 3ø	41-BALL-03	37	Stop Ring	41-CL65-0370
3	Knotting Ball Band	41-CL65-0030	38	Wave Washer	41-CL65-0380
4	Torque Adjusting Spring 2.6ø (Dark Green)	41-A65A-0040	39	Rotor Adjusting Washer 0.1	41-CL65-0390
5	Clutch Cover	41-A65HT-0050	40	Rotor Adjusting Washer 0.2	41-CL65-0400
6	Clutch Cover Set Screw 3x5.5 (x2)	41-STB30X055	41	Motor Bearing (x2)	41-CL65-0420
7	Mark Label		42	Rotor	41-A65-0420
8	Torque Adjusting Bolt Set Screw (x3)	41-STP26X080	43	Magnet Case	-----
9	Torque Adjusting Bolt	41-CL65-0090	44	Motor Case	41-CL65-0440
10	Limit Switch	41-CL4-0230	45	Motor Body Set Screw 3x4 (x3)	41-STP30X040
	Joint Shaft Assembly 11 – 15	41-CL65X-JS		Motor End Cover Assembly 37,41 46-50	41-A65-3470
11	Collar Stopper	41-CL65-0110	46	Motor End Cover	41-CL65-0470
12	Joint Shaft Collar	41-CL65X-0120	47	End Cover Set Screw 2.6x20 (X2)	41-STP26X200
13	Collar Spring	41-CL65-0130	48	Noise Filter A	41-CL4-0441
14	Bit Lock Ball 2.0ø (x3)	41-BALL-02	49	Carbon Brush (x2)	41-CL65-0490
15	Joint Shaft (HEX Shank)	41-CL65X-0150	50	Carbon Brush Cap (x2)	41-A65-0500
16	Clutch Supporter	41-CL65-0160	51	Switch Cover Set Screw 3x8 (x4)	41-STB30X080
17	Joint Shaft Lock Pin 2x11.8	41-DL10-0180		Switch Assembly 52 – 63 (w/o 59, 60)	41-A65HT-SW
18	Joint Shaft Set Screw 3x3	41-SH30X030	52	Switch Cover Joint Screw 2.6x5 (x2)	41-STP26X050
19	Gear Case Set Ring	41-CL65-0190	53	Switch Cover A & B	41-A65HT-0530
20	O-Ring	41-CL65-0200	54	Terminal Holder	41-CL4-0550
	Gear Assembly 21 – 33	41-A65A-GR	55	Noise Filter B	41-A45-0630
21	Clutch Ball 5.5ø	41-BALL-055	56	For/Rev Switch	41-CL65-0590
22	Gear Case	41-A65A-0220	57	Starting Switch	41-CL4-0570
23	Cam Roller 5x7	41-CL65-0230	58	5-Pin Connector	41-CL4-0580
24	Internal Gear	41-A65A-0240	59	Switch Lever Spring	41-CL65-0610
25	Thrust Bearing 6x12 (x2)	41-CL65-0250	60	Switch Lever	41-CL65-0640
26	Lower Planet Cage	41-A65A-0260	61	Switch Lever Plunger (x2)	41-CL65-0620
27	Planet Gear (x7)	41-A65A-0270	62	Plunger Spring	41-CL65-0630
28	Gear Washer	41-CL4-0290	63	Hanger	41-CL65-0650
29	Gear Plate	41-A65-0680	64	5-Core Cord w/Connector in both ends	41-CL65-0660
30	Center Pin	41-CL65-0300	65	Free-Up Belt	41-CL65-0670
31	Upper Planet Cage	41-A65A-0310			
32	Grease Seal	41-A65-0320			
33	Pinion Gear	41-A65A-0330			

