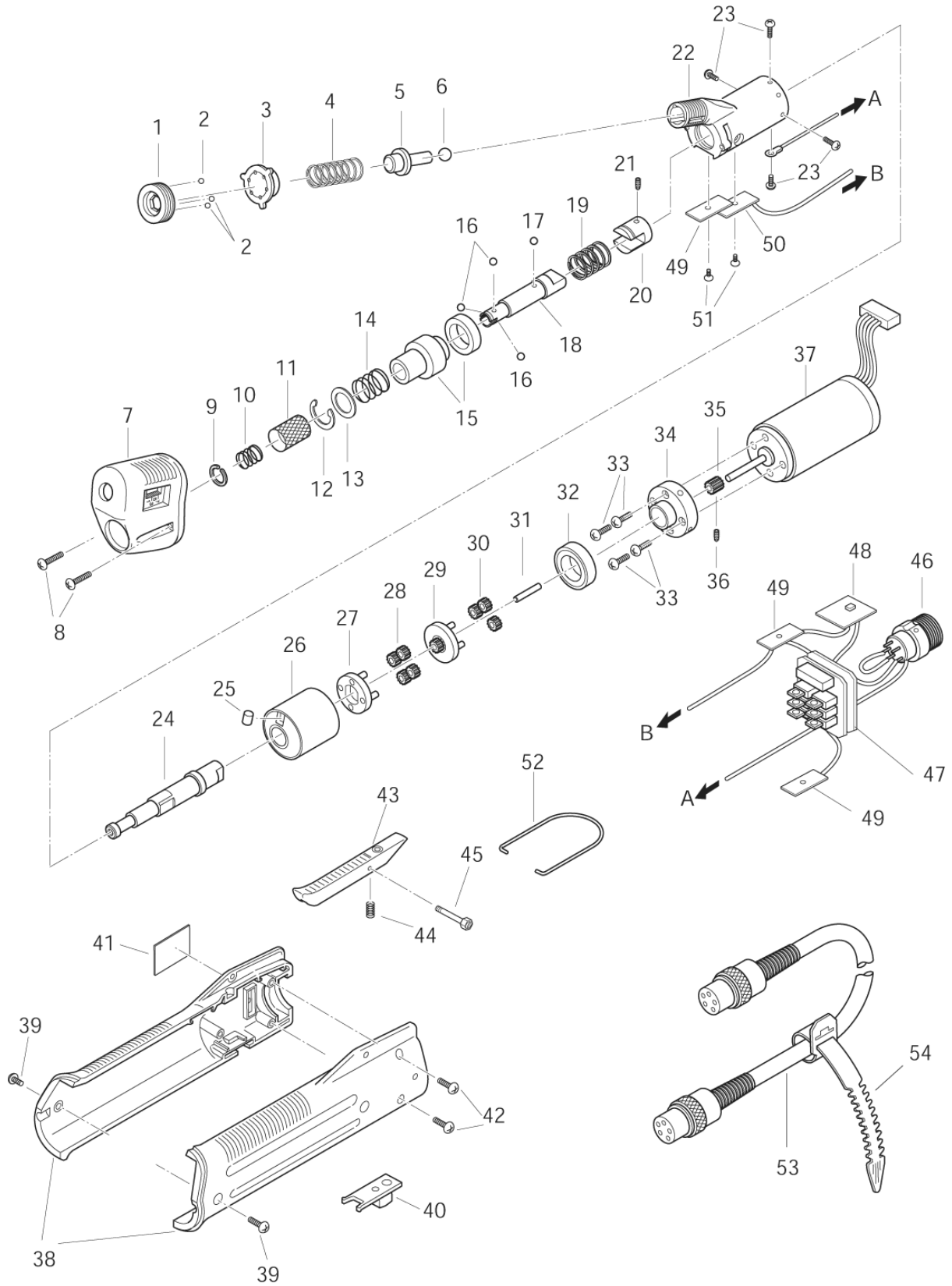


BL7000-HT

Version 1.1



BL7000-HT

No.	Part Number	Description	Qty.
1	41-BL65-0010	Torque Adjusting Nut	1
2	41-BALL-015	Steel Ball 1.5mm	3
3	41-BL65-0020	Torque Adjusting Spring Holder	1
4	41-BL7-0050	Torque Adjusting Spring	1
5	41-BL65-0060	Clutch Panel	1
6	41-BALL-055	Steel Ball 5.5mm	1
7	41-BL65-0221	Clutch Cover	1
8	41-SJP30x080	Set Screw 3x8	2
9	41-CL65-0110	Collar Stopper H5 HIOS	1
9	41-CL65-0110	Collar Stopper 1/4" HEX	1
10	41-BL65-0120	Collar Spring for H5 HIOS	1
11	41-BL65-0110	Joint Shaft Colla	1
12	41-BL65-0140	C-Ring	1
13	41-BL65-0130	Washer	1
14	41-BL65-0160	Joint Shaft Cover Spring	1
15	41-BL65-3210	Joint Shaft Cover Set	1
16	41-BALL-015	Steel Ball 1.5mm	3
17	41-BALL-0277	Steel Ball 2.777/64	1
18	41-BL65-0100	Joint Shaft for H5 HIOS	1
18	41-BL65X-0100	Joint Shaft for 1/4" HEX	1
19	41-BL65-0170	Push Spring	1
20	41-BL65-0200	Joint	1
21	41-SH26X030	Set Screw M2.6X3	1
22	41-BL65-0230	Gear Case BL65-0231	1
23	41-SPP26X050N	Set Screw 2.6X5 N	4
24	41-BL65-0150	Lower Planet Shaft	1
25	41-CL65-0230	Cam Roller 5x7	1
26	41-BL65-3490	Switch Lever	1
27	41-BL65-0340	Lower Floor	1
28	41-BL65-0330	Planet Gear	3
29	41-BL65-0360	Upper Planet Cage	1
30	41-BL65-0330	Planet Gear	3
31	41-F9-0260	Center Pin	1
32	41-BL65-0380	Bearing	1
33	41-SJP30x080	Set Screw Screw 3x8	4
34	41-BL65-0100	Motor Front Panel	1
35	41-BL65-0390	Pinion Gear	1
36	41-SH26X040	Set Screw M2.6x4	1
38	41-BL65-0461	Body Case A&B	1
39	41-SJP30x080	Set Screw 3x8	2
40	41-BL4-3360	For/Rev Switch	1
41	41-BL7-0070	Name Plate	1
42	41-SJPB30X120	Set Screw M3x12	1
43	41-BL65-3490	Switch Lever	1
44	41-CL4-0510	Switch Lever Spring	1
45	41-CL4-0521	Switch Lever Plunger	1
	41-BL7-CC1	BL7-CC Circuit Assy (BL65-CC)45-50	1
46	41-CL4-0580	5-Pin Connector	1
47	Circuit Board		
48	Sensor		
49	Sensor		
51	41-SPC20X040	Set Screw 2.0x4 (STP20X040)	2
53	41-CL65-0660	5-Core Cord W/Connectors In Both Ends	1
54	41-CL65-0670	Free-Up Belt	1