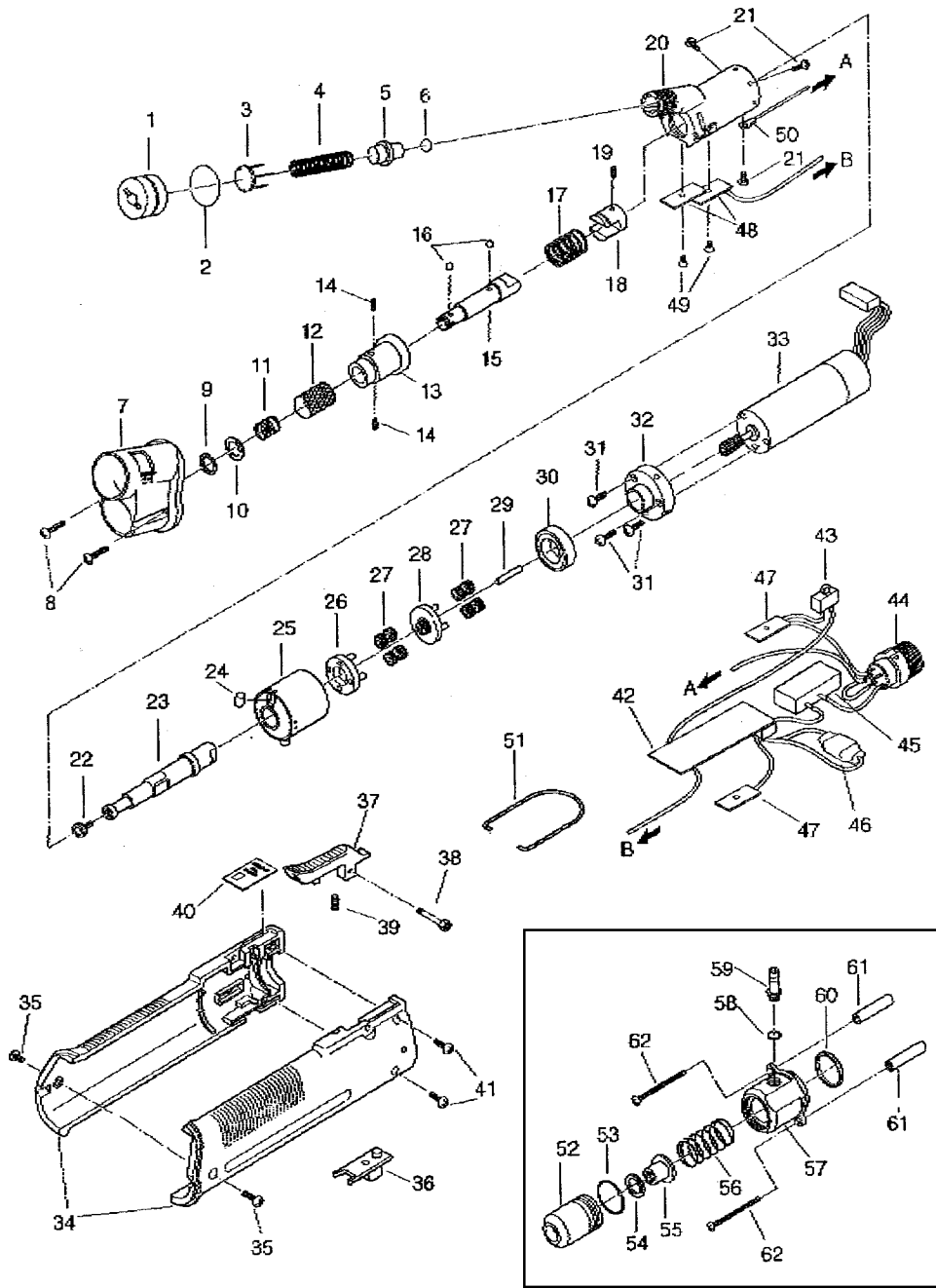


BL-5000 Old Body Style

Rev 1.0



BLQ models
Suction Attachment
Assembly 52-62

BL-5000 Old Body Style

Ref#	Part Name	Part#	Ref#	Part Name	Part#
1	Torque Adjusting Nut	41-BL4-0010	30	Bearing	41-BL4-0310
2	O-Ring	41-BL4-0040	31	Set Screw 2.6x5	41-SP20x050
3	Torque Adjusting Spring Holder	41-BL4-0020	32	Motor Front Panel	41-BL4-0300
4	Knotting Roller (x3)	41-BL4-0050-1.7	33	Motor (w/Pinion Gear)	41-BL4-3340
5	Clutch Panel	41-BL4-0060	34	Body Case A & B	41-BL4-0540
6	Steel Ball 5.0	22-0066	35	Set Screw 2.6x12	41-SPPB26x120
7	Clutch Cover	41-BL4-0170	36	Forward/Reverse Switch Lever	41-BL4-3360
8	Set Screw 2.6x6	41-STP26x080	37	Switch Lever (w/Magnet)	41-BL4-3380
9	Collar Stopper for 4mm HIOS Drive	41-CL4-0090	38	Switch Lever Plunger	41-CL4-0521
	Collar Stopper for 1/4 Hex Drive	41-CL4X-0090	39	Lever Spring	41-CL4-0510
10	Washer 8.5x9.6x0.5 for 4mm HIOS Drive	41-CL3-0620	40	Name Plate	41-BL5-0420
	Washer 8.5x9.6x0.5 for 1/4 Hex Drive	41-CL3-0630	41	Set Screw 2.6x6	41-STP26x060
11	Collar Spring for 4mm HIOS Drive	41-BL4-0120	42	Control Circuit IQ-EC	41-BL4-0350
	Collar Spring for 1/4 Hex Drive	41-BL4X-0120	43	Push or Lever Change-Over Switch	41-BL4-0370
12	Joint Shaft Collar for 4mm HIOS Drive	41-BL4-0070	44	5 Pin Connector	41-CL4-0530
	Joint Shaft Collar for 1/4 Hex Drive	41-BL4X-0070	45	Braker 1.6A	41-BL4-0590
13	Joint Shaft Cover for 4mm HIOS Drive	41-BL4-3140	46	Resister 430Q	41-BL4-0530
	Joint Shaft Cover for 1/4 Hex Drive	41-BL4X-3140	47	Sencer P.C.B. (lower)	41-BL4-3430
14	Cap Screw 2.6x6	41-SC26x060ST	48	Sencer P.C.B. (upper)	41-BL4-3440
15	Joint Shaft for 4mm HIOS Drive	41-BL4-0100	49	Set Screw M2x5	41-SP20x060
	Joint Shaft for 1/4 Hex Drive	41-BL4X-0100	50	Ground Connector	41-CL2-0620
16	Steel Ball 2.0	22-0054	51	Hanger	41-CL65-0610
17	Push Spring	41-BL4-0130			
18	Joint	41-BL4-0180		For BLQ Models (Suction Attachment Ass'y)	
19	Hexagon Socket Set Screw 2.6x5	41-SH26x060	52	Holder	41-BLQ4-0010
20	Gear Case	41-BL4-0190	53	O-Ring	41-HQ4-0040
21	Set Screw 2.6x5P3	41-SP26x050P3	54	Mouthpiece Adjusting Washer	41-BLQ4-0060
22	Cap Screw M1P0.7x6	41-SC40x060	55	Mouthpiece Holder	41-BLQ4-0030
23	Lower Planet Shaft	41-BL4-0200	56	Mouthpiece Holder S/P	41-BLQ4-0040
24	Cam Roller 4 x5.5	41-CL0250	57	Holder Base	41-BL4Q-0020
25	Internal Gear (w/Magnet)	41-BL4-3210	58	O-Ring(4)	41-CL4Q-0110
26	Lower Floor	41-BL4-0240	59	Air Outlet	41-CLQ4-0070
27	Planet Gear (x8)	41-VZ10-0300	60	G Seal (G12x16x3)	41-BLQ4-0080
28	Upper Planet Cage	41-VZ10-0330	61	Pipe	41-BLQ4-0050
29	Center Pin 2x13.8	41-F9-0260	62	Set Screw 2.6x30	41-STPx26x300