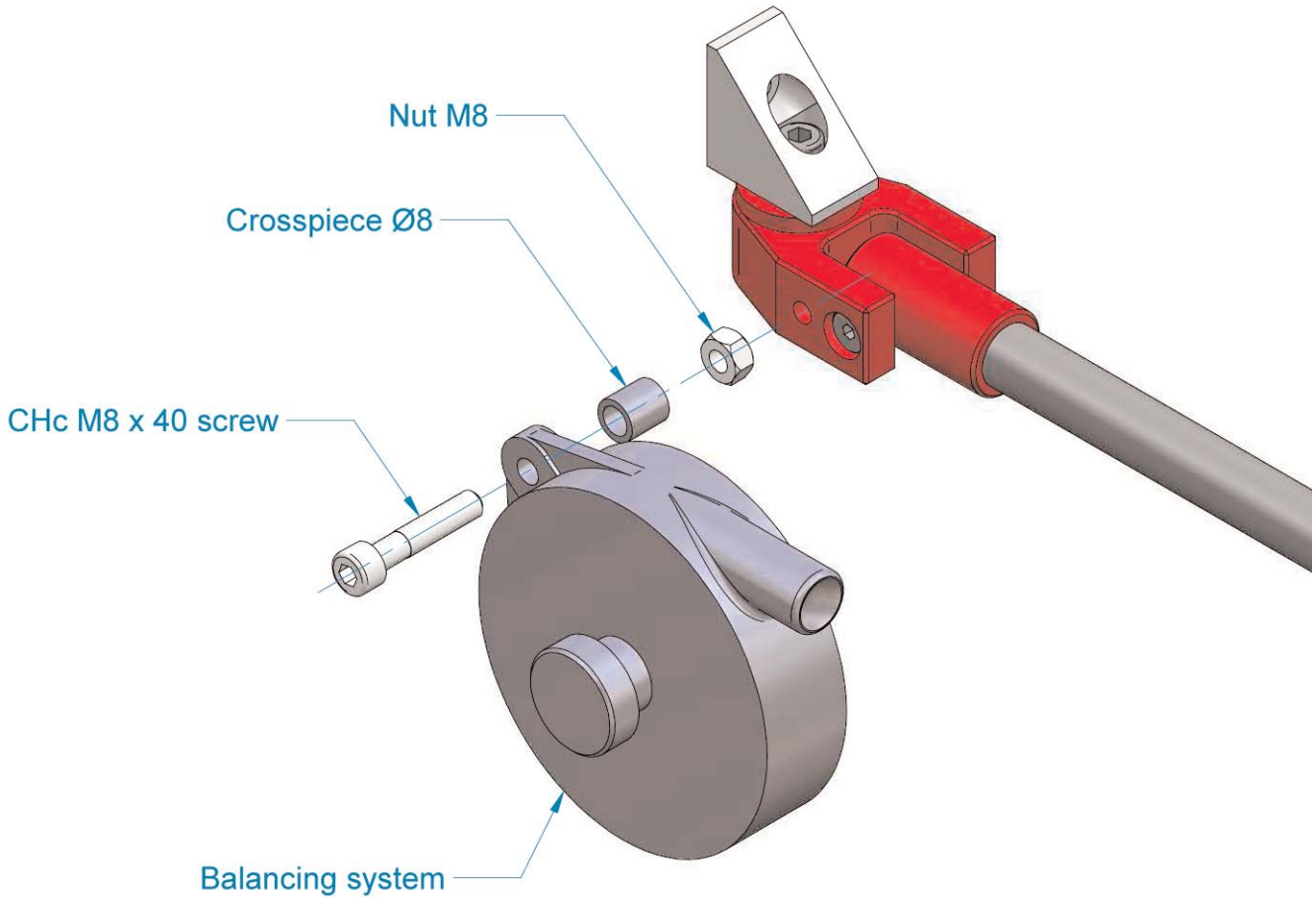


# E1 Balancing Kit Assembly



The balancing kit is for the EZ-Glider Telescoping Torque Arms. The Telescoping Arms can be used for a variety of tool positions. Please review the Telescoping arm data sheet or web page for what is required for mounting tools in these positions.

