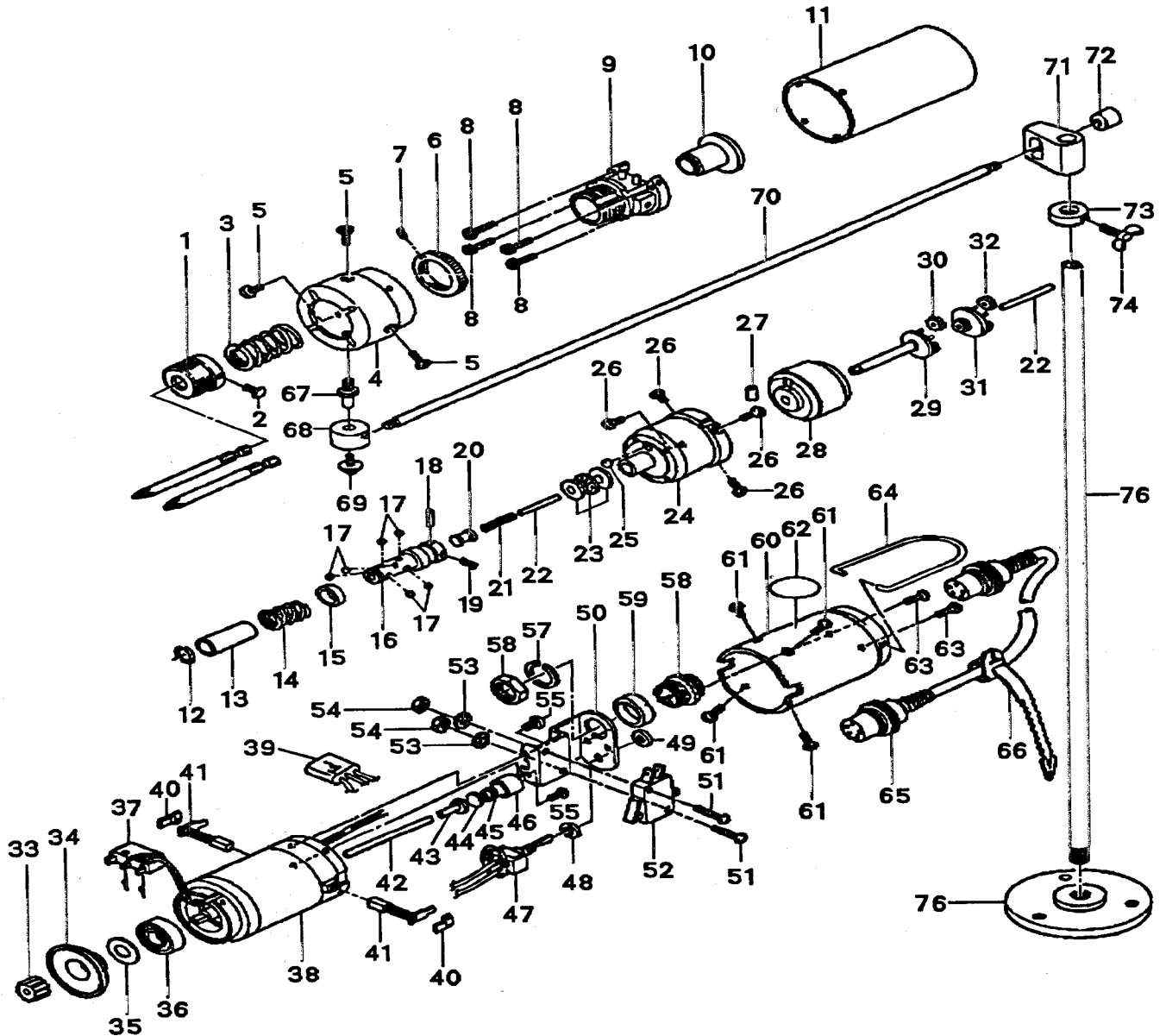


CL9000PS

Rev 1.0



CL900PS

Ref#	Part Name	Part#	Ref#	Part Name	Part#
1	Torque Adjusting Nut	41-CL9-0010	40	Carbon Brush Cover (x2)	41-CL9-0400
2	Fixing Screw 3x6	220229	41	Carbon Brush (x2)	41-CL9-0410
3	Torque Adjusting Spring	41-F9-0040	42	Push Rod 2.5x72.4	41-CL9-0420
4	Clutch Cover	41-CL9-0040	43	Damper Pin	41-CL9-0760
5	Phil Pan Head Screw 4x8, Din7985 (x3)	220222	44	Hamper Washer	41-CL9-0740
	Transmission Assembly 6 - 34 (w/o 11,33)	41-CL9-GRB	45	Damper Spring	41-CL9-0750
6	Torque Setting Nut	41-F9-0060	46	Damper	41-CL9-0730
7	Skt. Set Cup Pt. Screw 3x3	220100		Circuit Assembly 47 - 59 (w/o 55)	41-CL9-CC
8	Skt. Head Cap Screw 3x12, Din912 (x4)	220500	47	For/Rev Switch w/Neut, w/48-49	41-CL9-0430
9	Torque Adjusting Bolt	41-CL9-0100	50	Setting Panel	41-CL9-0450
10	Clutch Support	41-F9-0100	51	Phil Pan Head Screw 3x16	220219
11	Turning Grip	41-CL9-0120	52	Starting Switch	41-CL65PS-0610
12	Collar Stopper (C-ring)	41-CL65-0110	53	Washer, Flat 3 mm (x2)	220601
13	Joint Shaft Collar	41-CL9-0180	54	Nut, HEX M3 (x2)	220600
14	Collar Spring	41-CL65-0130	55	Phil Pan Head Screw 4x6	220221
15	Ball Collar	41-CL9-0160	58	5-Pin Terminal w/56-57	41-CL9-0550
16	Joint Shaft	41-CL9-0170	59	Up Ring	41-CL9-0540
17	Steel Ball 2.0 (x6)	220054	60	Switch Cover	41-CL9-0560
18	Joint Shaft Lock Pin	41-CL9-0190	61	Screw, 3x10 Self Tap (x4)	220309
19	Skt. Set Cup Pt. Screw 3x3 (x2)	220100	62	Name Plate	41-CL9-0580
20	Intermediate	41-CL9-0200	63	Phil Pan Head Screw 3x5 (x2)	220208
21	Intermediate Spring	41-CL9-0210	64	Hanger	41-CL65-0650
22	Center Pin A (x2)	41-CL9-0220	65	5-Core Cord w/ same connector end	41-CL9-0610
23	Thrust Bearing	41-F9-0170	66	Free-Up Belt	41-CL65-0670
24	Gear Case	41-CL816-0210		Stand Arm Set 67 - 76	41-CL9-SAS
25	Steel Ball 7.0	220072		Arm Assembly 67 - 72	41-CL9-ARM
26	Phil Pan Head Screw 4x6 (x4)	220221	67	Turret Shaft	41-CL9-0630
27	Cam Roller	41-CL65-0230	68	Turret	41-CL9-0640
28	Internal Gear	41-CL9-0280	69	Phil Tp. Screw 4x8	220224
29	Lower Planet Cage	41-CL9-0300	70	Sliding Arm	41-CL9-0660
30	Planet Gear A (x3)	41-CL825-0290	71	Turning Holder	41-CL9-0671
31	Upper Planet Cage	41-CL816-0310	72	Arm-Edge Holder	41-CL9-0680
32	Planet Gear B (x3)	41-CL816-0320		Stand Assembly	41-CL9-STD
33	Pinion Gear	41-CL816-0350	73	Station	41-CL9-0690
34	Gear Support	41-CL9-0360	74	Station Stopper 220225	41-CL9-0700
35	Washer 0.2	41-CL9-0800-02	75	Column	41-CL9-0710
	Washer 0.5	41-CL9-0800-05	76	Stand Base	41-CL9-0720
36	Radial Ball Bearing 6903ZZ	41-CL9-0370			
37	Limit Switch	41-CL4-0230			
38	Motor (includes 41-42)	41-CL9-0390			
39	Noise Filter B MMCN 104	41-ACL10-0600			