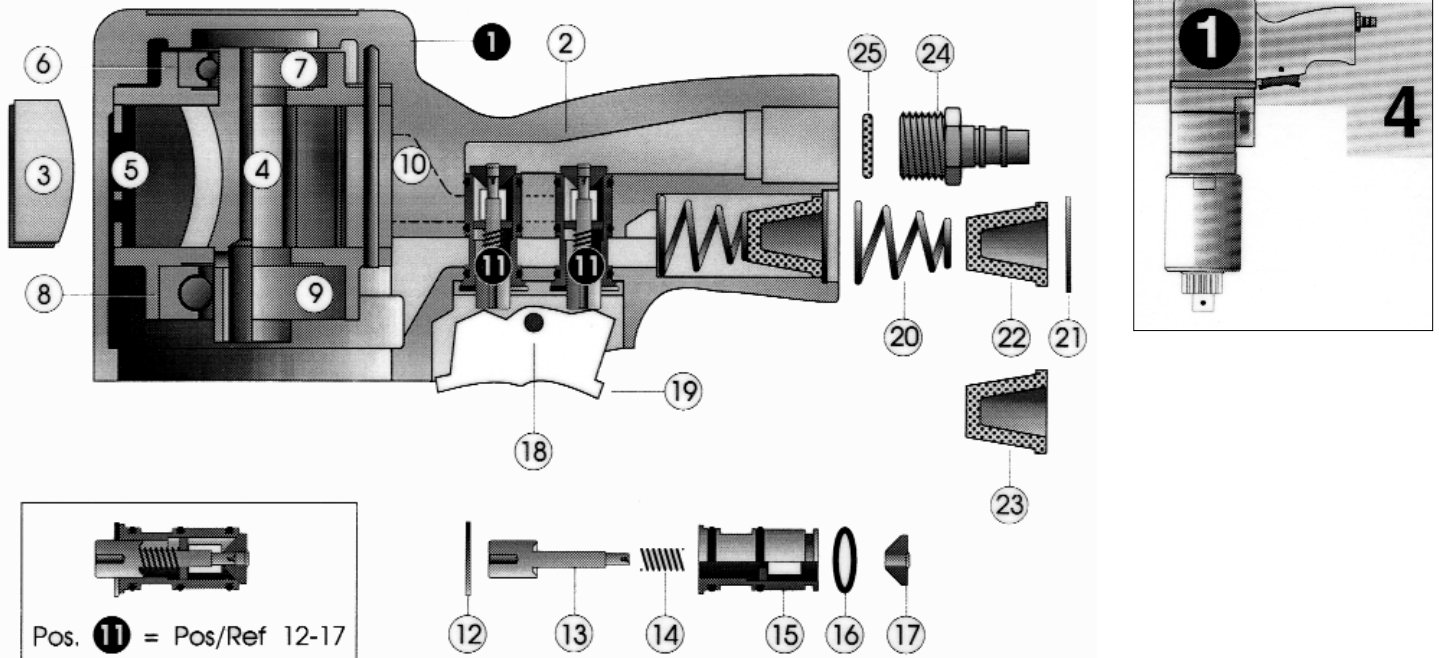


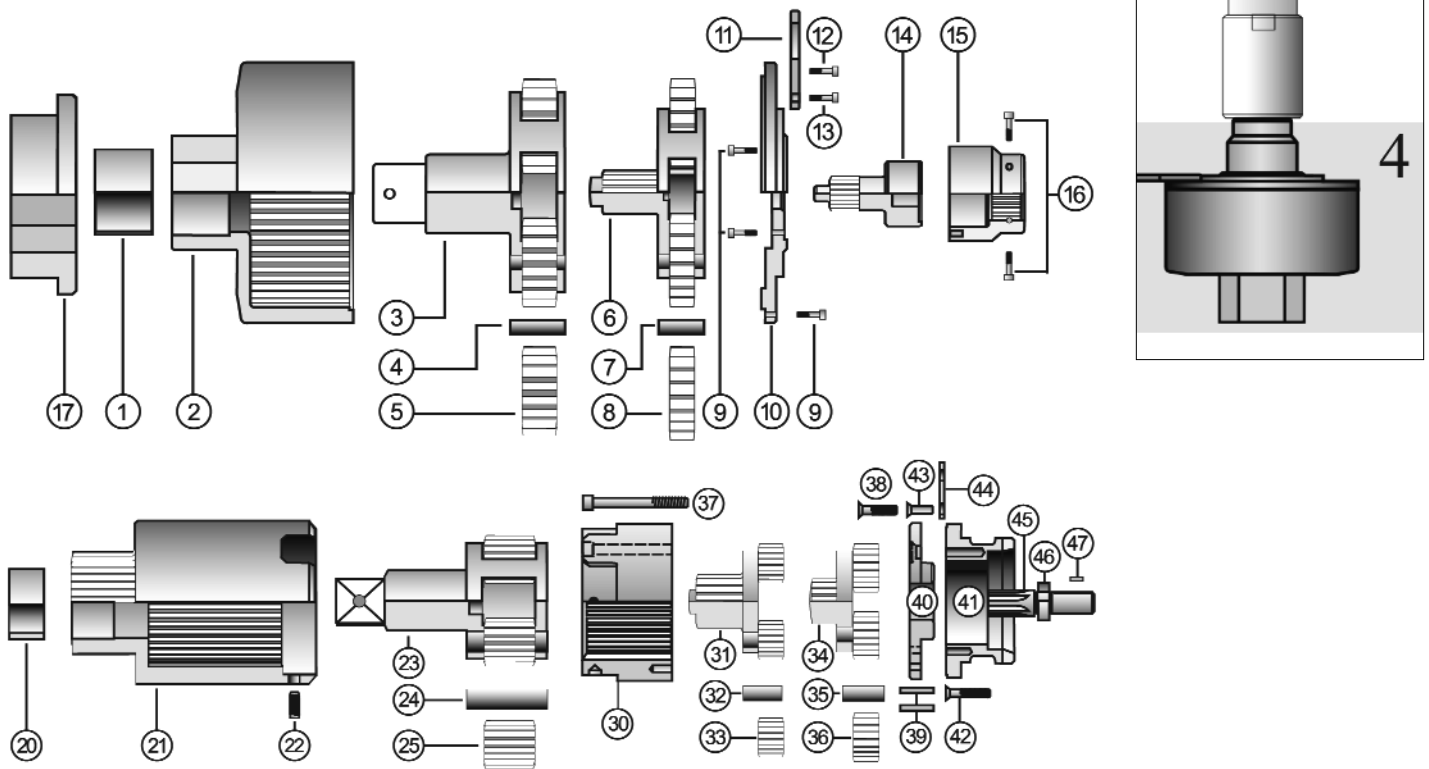
CLS 2/1700 Handle

Rev. 2.0



Ref #	Part #	Quantity	Description
1	21-14600	1	Motor Compl.
2	21-14602	1	Motor Housing
3	21-14603	6	Plate
4	21-14604	1	Rotor
5	21-14605	1	Rotor Cylinder
6	21-14606	1	Cover Plate
7	21-20118	1	Groove Ball Bearing
8	21-14608	1	Cover Plate
9	21-20119	1	Groove Ball Bearing
10	21-20008	1	Parallel Pin
11	21-14615	2	Valve Complete (Ref # 12-17)
12	21-20151	1	Circlip
13	21-14611	1	Valve Pin
14	21-20131	1	Spring
15	21-14613	1	Intake Bush
16	21-20214	3	O-Type Sealing Ring
17	21-14612	1	Semi-Sphere
18	21-14618	1	Parallel Pin
19	21-14617	1	Tilt Lever
20	21-20134	1	Spring
21	21-20152	1	Circlip
22	21-14626	1	Filter
23	21-14627	1	Sound Absorber
24	21-20360	1	Nipple
25	21-14625	1	Filter Disk

CLS 2/1700 Main Gear Box



Ref	Part #	Qty	Description
1	21-20148	1	Sleeve
2	21-10401	1	Gear Housing
3	21-10402	1	Gear Cage 2 1/2"
4	21-20175	3	Gear Pins
5	21-10407	3	Planet Gears
6	21-10403	1	Gear Cage
7	21-20015	3	Gear Pins
8	21-10408	3	Planet Gears
9	21-20059	15	Allen Screw
10	21-10421	1	Gear Cover Plate
11	21-10422	1	Handle
12	21-20063	1	Allen Screw
13	21-20050	2	Allen Screw
14	21-10423	1	Motor Shaft
15	21-10424	1	Bearing Box
16	21-20046	2	Allen Screw
17	21-10416	1	Support Ring
20	21-10143	1	Sleeve
21	21-10210	1	Gear Housing
22	21-20020	4	Stud Bolts
23	21-10180	1	Gear Cage 3/4"

Ref	Part #	Qty	Description
24	21-20011	4	Gear Pins
25	21-10146	4	Planet Gears
30	21-14148	1	Gear Housing
31	21-10166	1	Gear Cage
32	21-10142	3	Gear Pins
33	21-10145	3	Planet Gears
34	21-10149	1	Gear Cage
35	21-10142	3	Bearing Pins
36	21-10145	3	Planet Gears
37	21-20044	4	Allen Screw
38	21-20027	4	Counter sunk Screw
39	21-20001	4	Parallel Pin
40	21-14146	1	Gear Cover Plate
41	21-14102	1	Motor Flange
42	21-20027	4	Countersunk Screw
43	21-20024	2	Grooved Drive Stud
44	21-14108	1	Suspension Eyelet
45	21-14111	1	Motor Shaft
46	21-14109	1	Shrink Ring
47	21-20139	1	Feather Key