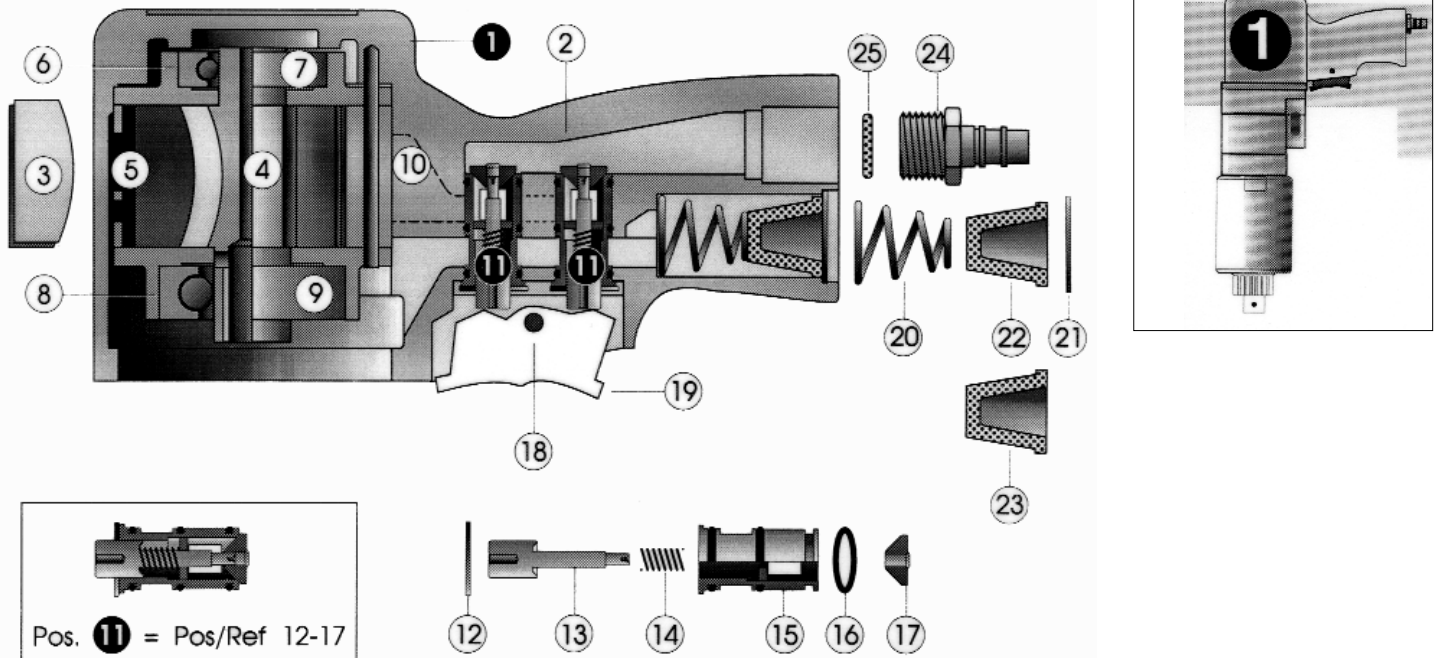


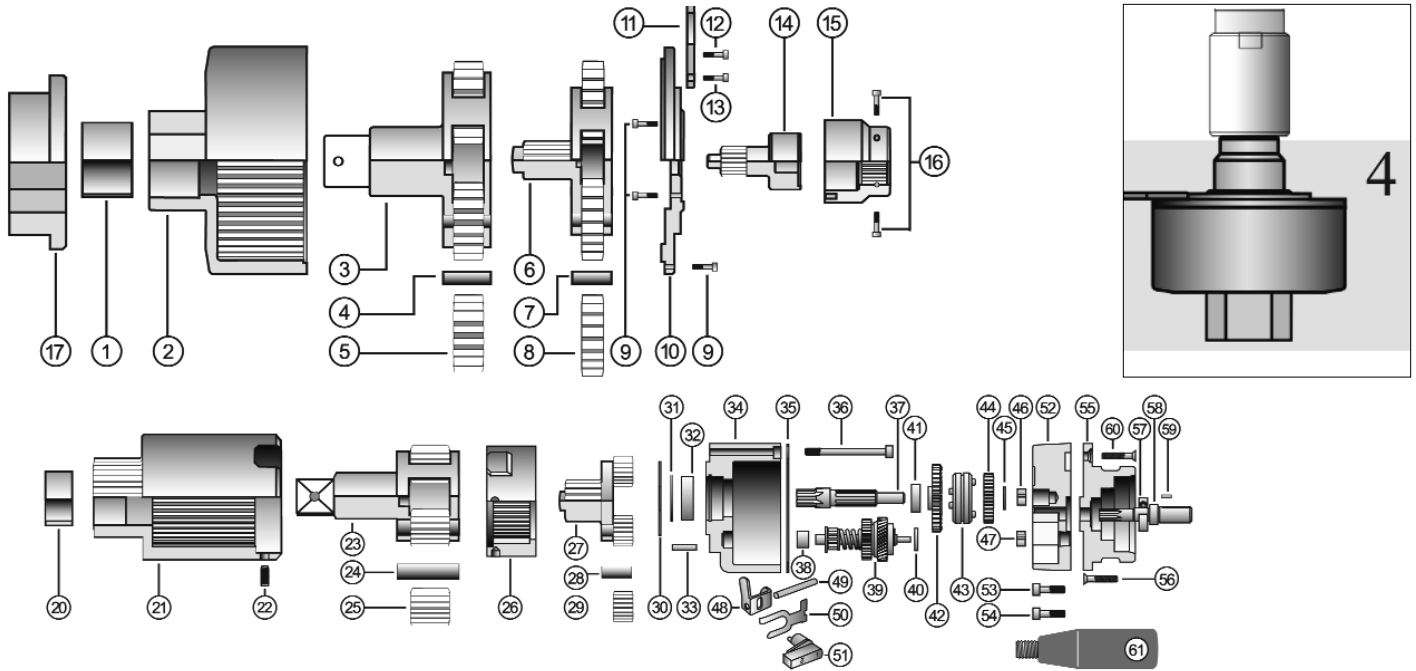
CLS 2/4800 Handle

Rev. 2.0



Ref #	Part #	Quantity	Description
1	21-14600	1	Motor Compl.
2	21-14602	1	Motor Housing
3	21-14603	6	Plate
4	21-14604	1	Rotor
5	21-14605	1	Rotor Cylinder
6	21-14606	1	Cover Plate
7	21-20118	1	Groove Ball Bearing
8	21-14608	1	Cover Plate
9	21-20119	1	Groove Ball Bearing
10	21-20008	1	Parallel Pin
11	21-14615	2	Valve Complete (Ref # 12-17)
12	21-20151	1	Circlip
13	21-14611	1	Valve Pin
14	21-20131	1	Spring
15	21-14613	1	Intake Bush
16	21-20214	3	O-Type Sealing Ring
17	21-14612	1	Semi-Sphere
18	21-14618	1	Parallel Pin
19	21-14617	1	Tilt Lever
20	21-20134	1	Spring
21	21-20152	1	Circlip
22	21-14626	1	Filter
23	21-14627	1	Sound Absorber
24	21-20360	1	Nipple
25	21-14625	1	Filter Disk

CLS 2/4800 Intermediate Gearing



Ref	Part #	Qty	Description
1	21-20148	1	Sleeve
2	21-10401	1	Gear Housing
3	21-10402	1	Gear Cage 2 1/2"
4	21-20175	3	Gear Pins
5	21-10407	3	Planet Gears
6	21-10403	1	Gear Cage
7	21-20015	3	Gear Pins
8	21-10408	3	Planet Gears
9	21-20059	15	Allen Screw
10	21-10421	1	Gear Cover Plate
11	21-10422	1	Handle
12	21-20063	1	Allen Screw
13	21-20050	2	Allen Screw
14	21-10423	1	Motor Shaft
15	21-10424	1	Bearing Box
16	21-20046	2	Allen Screw
17	21-10416	1	Support Ring
20	21-10143	1	Sleeve
21	21-10210	1	Gear Housing
22	21-20020	4	Stud Bolts
23	21-10180	1	Gear Cage 3/4"
24	21-20011	4	Gear Pins
25	21-10146	4	Planet Gears
26	21-10130	1	Gear Housing
27	21-10151	1	Gear Cage
28	21-10142	3	Gear Pins
29	21-10143	3	Planet Gears
30	21-10141	1	Stop Washer
31	21-20150	1	Angular Wheel
32	21-20102	1	Deep Groove Ball Bearing

Ref	Part #	Qty	Description
33	21-20001	2	Parallel Pin
34	21-10100	1	Change Gear Box
35	21-10117	1	Gasket
36	21-20037	3	Allen Screw
37	21-10105	1	Motor Shaft
38	21-20101	1	Needle Bearing
39	21-10012	1	Intermediate Gear
40	21-20090	1	Washer
41	21-10104	1	Angular Housing
42	21-10116	1	Spindle Wheel II
43	21-10115	1	Jumper Ring Compl.
44	21-10114	1	Spindle Wheel I
45	21-20091	1	Washer
46	21-20100	1	Centered Bearing
47	21-20103	1	Bearing
48	21-10111	1	Indexing Slide
49	21-20002	1	Parallel Pin
50	21-10109	1	Retaining Spring
51	21-10108	1	Switch Lever
52	21-14207	1	Gear Flange
53	21-20032	1	Allen Screw
54	21-20028	1	Allen Screw
55	21-14202	1	Motor Flange
56	21-20027	4	Countersunk Screw
57	21-20012	1	Bearing
58	21-14114	1	Motor Shaft
59	21-20139	1	Feather Key
60	21-20026	2	Countersunk Screw
61	21-20222	1	Handle