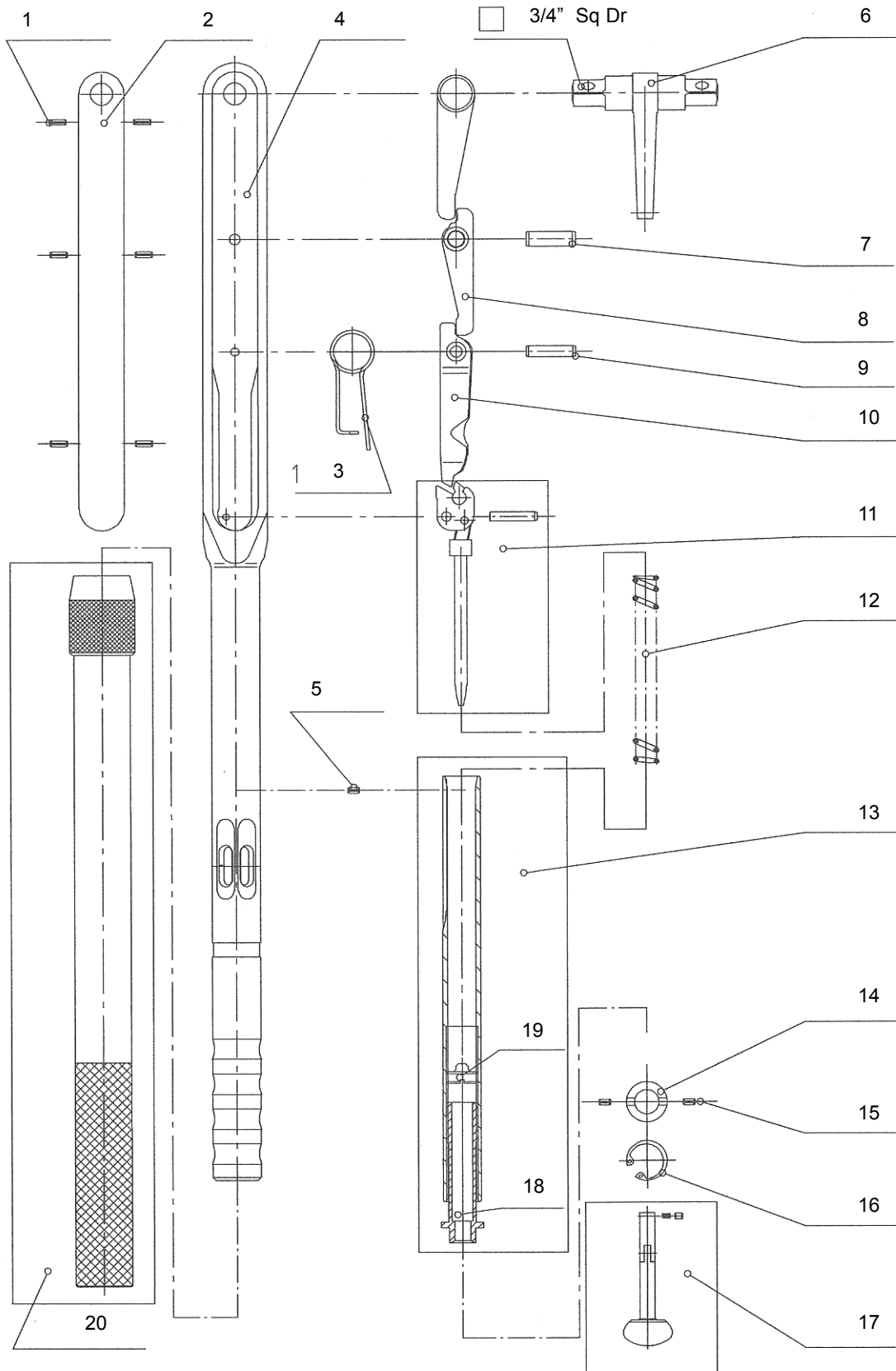


DM 1000-D Click Wrench (Adjustable)

Rev. 1.0



DM 1000-D Click Wrench (Adjustable)

Ref #	Part #	Quantity	Description
1	28-1180223	6	Dowel Pin ISO 8752 4x12
2	28-1181319	1	Lid DREMOMETER DX
3	28-1184016	1	Wing spring A-E
4	28-1181301	1	Body DREMOMETER DR und DX
5	28-1180207	1	Elastic Pin 8752 3x8
6	28-1189530	1	Two Sided Lever 3/4" D compl.
7	28-1183133	1	Cylindric Pin for DREMOMETER D-DXL
8	28-1181726	1	Intermediary Lever
9	28-1183109	1	Cylindric Pin for DREMOMETER D-E
10	28-1183427	1	Final Lever DREMOMETER A-E
11	28-1196723	1	Angle Lever DREMOMETER D/DR/DX/E compl.
12	28-1225723	1	Compression Spring DREMOMETER DX/F
13	28-1182625	1	Tube DX compl.
14	28-1189700	1	Thrust washer A-F
15	28-1180207	2	Elastic Pin 8752 3x8
16	28-1180258	1	Safety ring 22x1
17	28-1182382	1	Hexagon key DREMOMETER A-F (NEW) complete
18	28-1180762	1	Spindle Screw DREMOMETER CD-F
19	28-1180177	1	8563-10 Adjusting screw
20	28-7621990	1	Extension Tube DX 750 mm