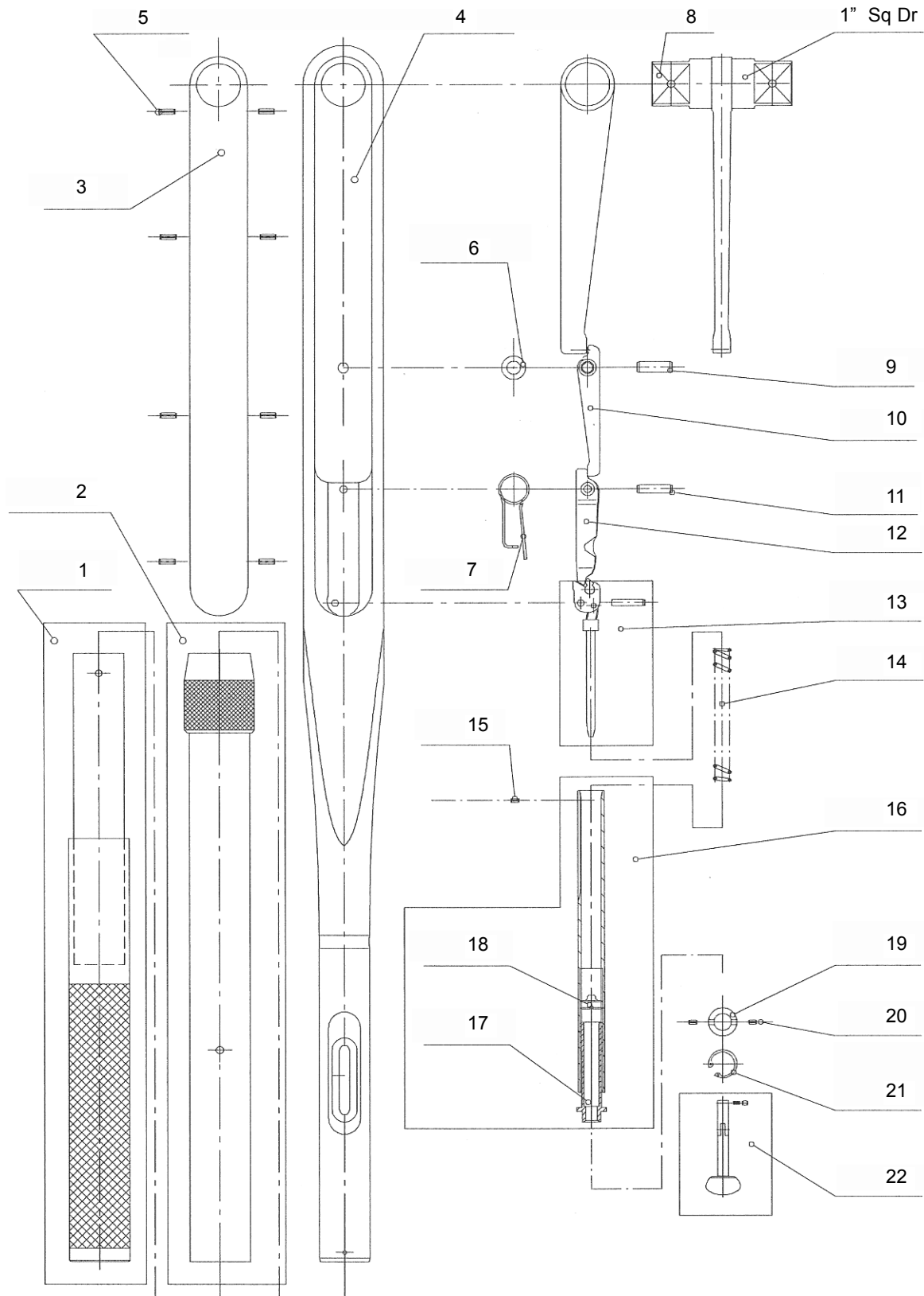


DM 2000-D Click Wrench (Adjustable)

Rev. 1.0



DM 2000-D Click Wrench (Adjustable)

Ref #	Part #	Quantity	Description
1	28-7621640	1	Extension Tube E 400 mm
2	28-7621720	1	Extension Tube E + F 920 mm
3	28-1183532	1	Lid DREMOMETER E
4	28-1183524	1	Body DREMOMETER E fert.
5	28-1180223	8	Dowel Pin ISO 8752 4x12
6	28-1180924	1	Washer for DREMOMETER E/EL/F
7	28-1184016	1	Wing spring A-E
8	28-1184369	1	Two Sided Lever 1" E compl.
9	28-1183141	1	Cylindric Pin DREMOMETER E-F
10	28-1181726	1	Intermediary Lever
11	28-1183109	1	Cylindric Pin for DREMOMETER D-E
12	28-1183427	1	Final Lever DREMOMETER A-E
13	28-1196723	1	Angle Lever DREMOMETER D/DR/DX/E compl.
14	28-1180746	1	Compression Spring DREMOMETER D
15	28-1180568	1	Elastic Pin ISO 8752 3x12
16	28-1182633	1	Tube E compl.
17	28-1180762	1	Spindle Screw DREMOMETER CD-F
18	28-1180177	1	8563-10 Adjusting screw
19	28-1189700	1	Thrust washer A-F
20	28-1180576	2	Elastic Pin 3x10
21	28-1180258	1	Safety ring 22x1
22	28-1182382	1	Hexagon key DREMOMETER A-F (NEW) complete