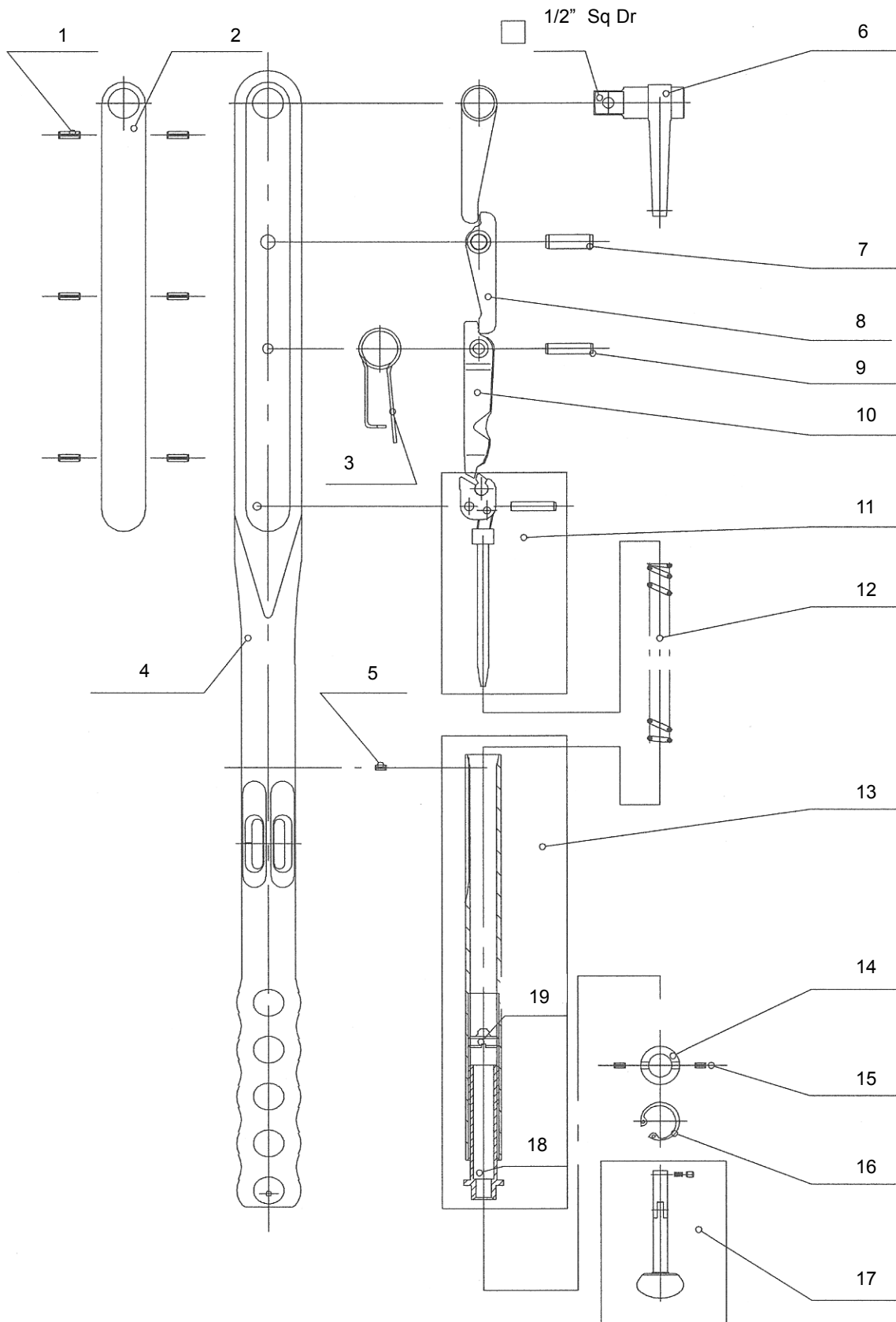


# DM 300 Click Wrench (Adjustable)

Rev. 1.0



## DM 300 Click Wrench (Adjustable)

Ref #	Part #	Quantity	Description
1	28-1180223	6	Dowel Pin ISO 8752 4x12
2	28-1180592	1	Lid DREMOMETER C
3	28-1184016	1	Wing spring A-E
4	28-1180533	1	Body DREMOMETER C
5	28-1180215	1	Elastic Pin 8752 3x6
6	28-1182528	1	Primary Lever 1/2" B-C compl.
7	28-1183125	1	Cylindric Pin for DREMOMETER BC-CZ
8	28-1181718	1	Intermediary Lever for BC-CD
9	28-1183095	1	Cylindric Pin for DREMOMETER A-CD
10	28-1183427	1	Final Lever DREMOMETER A-E
11	28-1196707	1	Angle Lever DREMOMETER C compl.
12	28-1180509	1	Compression Spring DREMOMETER C
13	28-1182587	1	Tube C compl.
14	28-1189700	1	Thrust washer A-F
15	28-1180215	2	Elastic Pin 3x6
16	28-1180258	1	Safety ring 22x1
17	28-1182382	1	Hexagon key DREMOMETER A-F (NEW) complete
18	28-1180517	1	Spindle Screw DREMOMETER C
19	28-1180177	1	8563-10 Adjusting screw