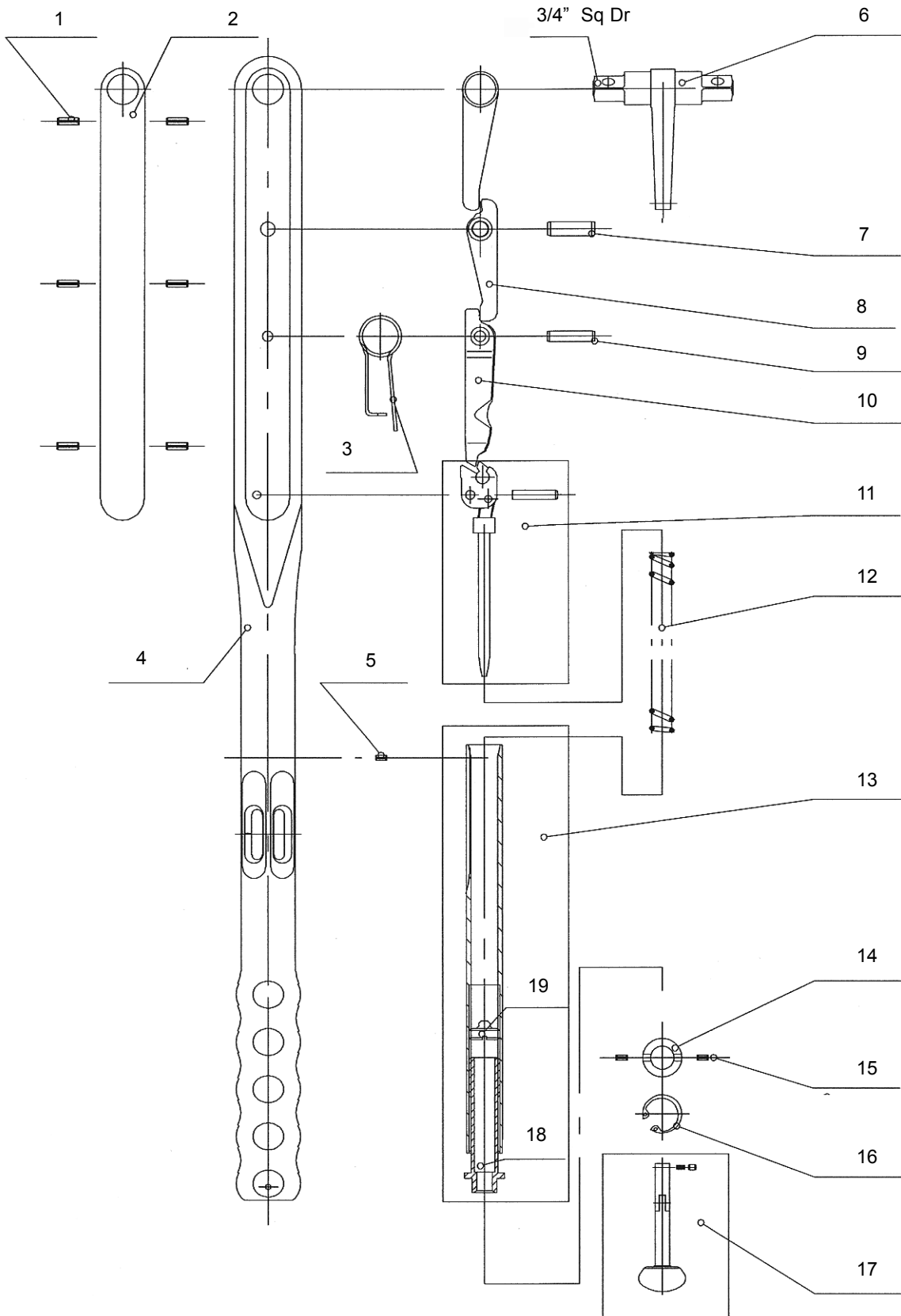


DM 360-D Click Wrench (Adjustable)

Rev. 1.0



DM 360-D Click Wrench (Adjustable)

Ref #	Part #	Quantity	Description
1	28-1180223	6	Dowel Pin ISO 8752 4x12
2	28-1181262	2	Lid DREMOMETER CD
3	28-1184016	1	Wing spring A-E
4	28-1181254	1	Body DREMOMETER CD fert.
5	28-1180215	1	Elastic pin 3x6
6	28-1182676	1	Two Sided Lever 3/4" CD compl.
7	28-1183125	1	Cylindric Pin DREMOMETER BC-CZ
8	28-1181718	1	Intermediary Lever DREMOMETER BC-CD
9	28-1183095	1	Cylindric pin DREMOMETER A-CD
10	28-1183427	1	Final Lever DREMOMETER A-E
11	28-1196715	1	Angle Lever DREMOMETER CD compl.
12	28-1180622	1	Compression Spring DREMOMETER CD
13	28-1182595	1	Tube CD compl.
14	28-1189700	1	Thrust washer A-F
15	28-1180215	2	Elastic pin 3x6
16	28-1180258	1	Safety ring 22x1
17	28-1182382	1	Hexagon key DREMOMETER A-F (NEW) complete
18	28-1180762	1	Spindle Screw DREMOMETER CD-F
19	28-1180177	1	8563-10 Adjusting screw