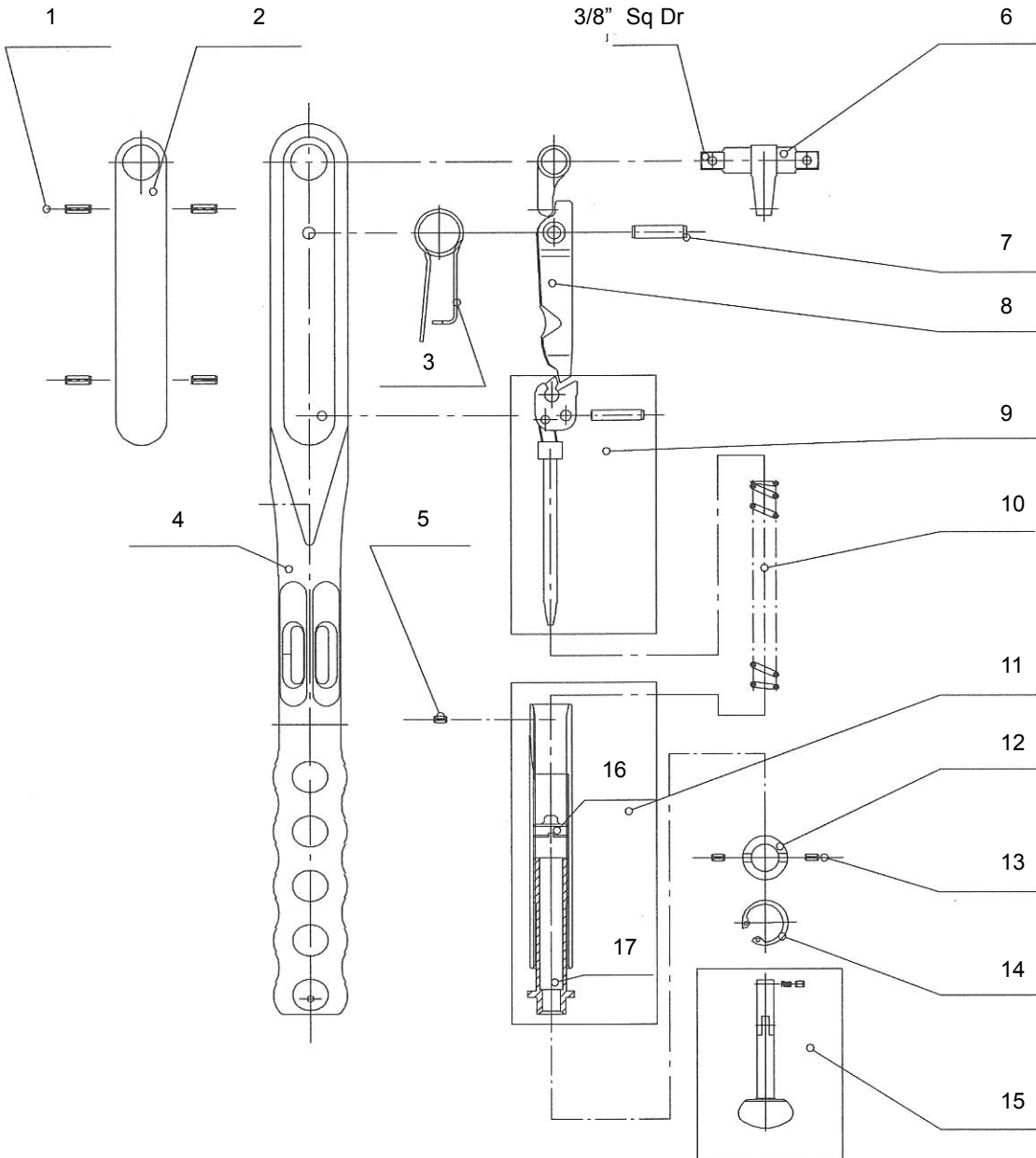


# DM 40-D Click Wrench (Adjustable)

Rev. 1.0



# DM 40-D Click Wrench (Adjustable)

| Ref # | Part #     | Quantity | Description                               |
|-------|------------|----------|---|
| 1     | 28-1180223 | 4        | Dowel Pin ISO 8752 4x12                   |
| 2     | 28-1180363 | 1        | Lid DREMOMETER A                          |
| 3     | 28-1184016 | 1        | Wing spring A-E                           |
| 4     | 28-1180339 | 1        | Body DREMOMETER A compl.                  |
| 5     | 28-1180215 | 1        | Elastic pin 3x6                           |
| 6     | 28-1182552 | 1        | Two Sided Lever 3/8" A compl.             |
| 7     | 28-1183095 | 1        | Cylindric pin DREMOMETER A-CD             |
| 8     | 28-1183427 | 1        | Final Lever DREMOMETER A-E                |
| 9     | 28-1196685 | 1        | Angle lever DREMOMETER A compl            |
| 10    | 28-1181351 | 1        | Compression spring DREMOMETER A           |
| 11    | 28-1182561 | 1        | Tube DREMOMETER A compl.                  |
| 12    | 28-1189700 | 1        | Thrust washer A-F                         |
| 13    | 28-1180215 | 2        | Elastic pin 3x6                           |
| 14    | 28-1180258 | 1        | Safety ring 22x1                          |
| 15    | 28-1182382 | 1        | Hexagon key DREMOMETER A-F (NEW) complete |
| 16    | 28-1180177 | 1        | 8563-10 Adjusting screw                   |
| 17    | 28-1180312 | 1        | Spindle screw DREMOMETER B                |
|       |            |          |   |
|       |            |          |   |
|       |            |          |   |
|       |            |          |   |
|       |            |          |   |
|       |            |          |   |
|       |            |          |   |
|       |            |          |   |
|       |            |          |   |
|       |            |          |   |