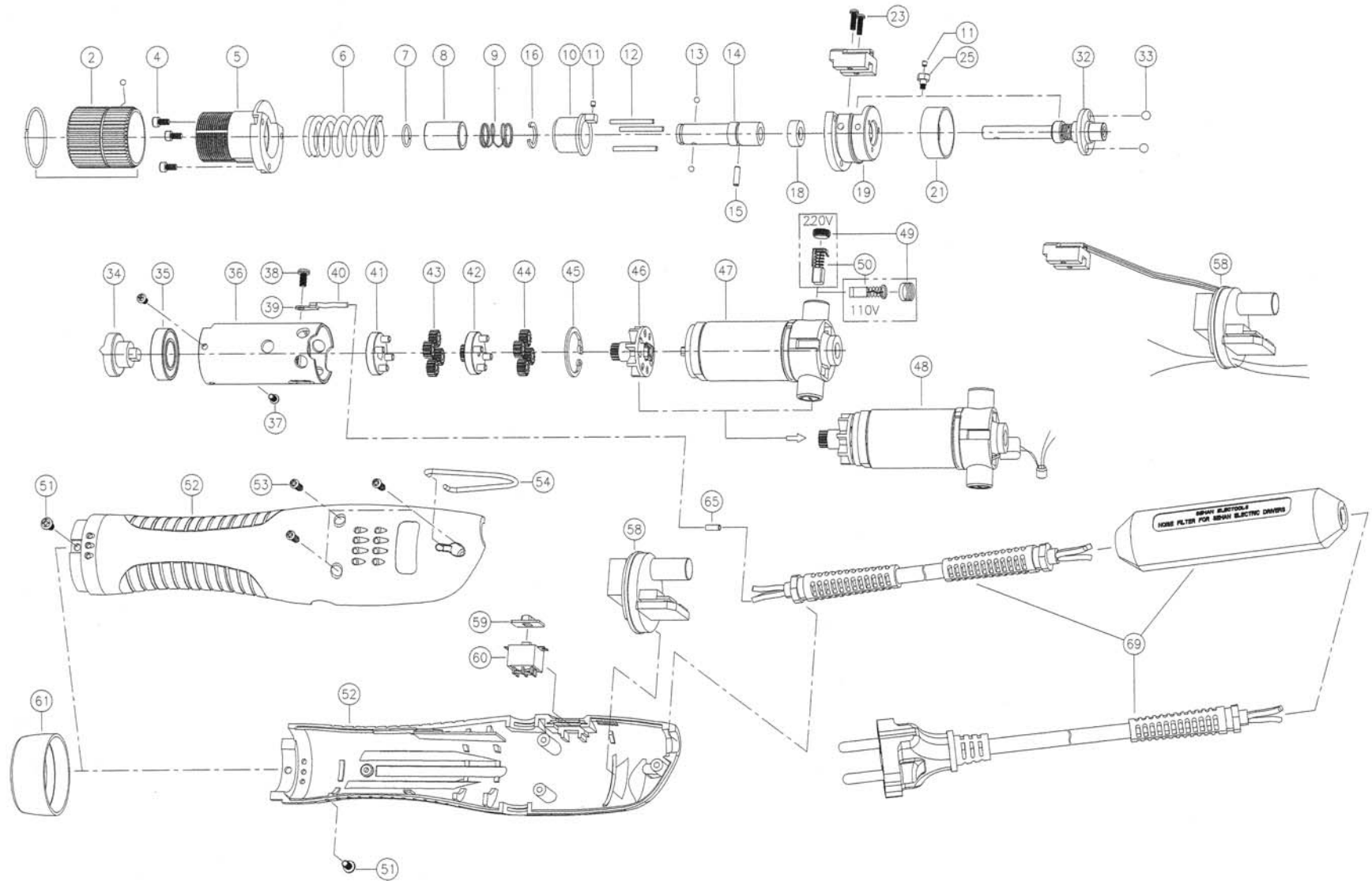


E250-PS (Push-to-Start) 220V

Version 1.1



E250-PS (Push-to-Start) 220V

Version 1.1

No.	Part Number	Description	Qty.	No.	Part Number	Description	Qty.
2	14-500205	Adjuster Assembly	1	46	14-501772	Fan Gear	1
4	14-500170	Wrench Bolt	3	47	14-501804	Motor (220V) Assembly	1
5	14-500000	Cover	1	48	14-608101	Motor Set (Fan Bead) 220V	1
6	14-520230	Torque Spring (2.4 - Silver)	1	49	14-501831	Brush Cap	2
	14-520235	Torque Spring (2.2 - Bronze)	1	50	14-501813	Carbon Brush (220V)	2
	14-520215	Torque Spring (2.7 - Black)	1	51	14-520480	Screw (M3x6L)	2
7	14-500111	Bit Socket Ring	1	52	14-502024	Push-to-Start Housing Set	1
8	14-520011	Collar	1	53	14-502302	Screw (3*12) Torx	3
9	14-520251	Collar Spring	1	54	14-500680	Hook	1
10	14-509920	Sleeve	1	58	14-502541	Control PCB Assembly 220V	1
11	14-500140	Magnet	1	59	14-502131	Switch Cover with Label	1
12	14-520050	Niddle Pin	3	60	14-502410	F/R Switch	1
13	14-500900	Steel Ball 2 (for 1/4 F/Hex Drive)	2	61	14-500252	Housing Nut	1
14	14-508120	Bit Socket (for 1/4 F/Hex Drive)	1	65	14-502620	Sleeve	1
15	14-520060	Holder Pin	1	69	14-502218	Power Cord 110V (Noise - CE)	1
18	14-520115	Slide Bush	1				
19	14-500016	Bearing Cover Assembly (for PS)	1				
21	14-509940	Slide Ring	1				
23	14-520473	Screw (M2.3x10L)	2				
25	14-500020	Magnet Holder	1				
32	14-509935	Shaft	1				
33	14-500920	Steel Ball 4mm	2				
34	14-501402	Clutch	1				
35	14-509910	Bearing	1				
36	14-501502	Gear Case	1				
37	14-509955	Screw (M2.6x5L)	2				
38	14-509950	Screw (M3x4L)	1				
39	14-509960	Earth Ring	1				
40	14-509970	Earth Wire	1				
41	14-501620	2nd Gear Holder	1				
42	14-501610	1st Gear Holder	1				
43	14-501702	2nd Idle Gear (Steel)	3				
44	14-501703	1st Idle Gear (Plastic)	3				
45	14-500160	Snap Ring R22	1				



mountz
the torque tool specialists.

408-292-2214
Fax: 408-292-2733

sales@etorque.com

www.etorque.com



ISO 9001