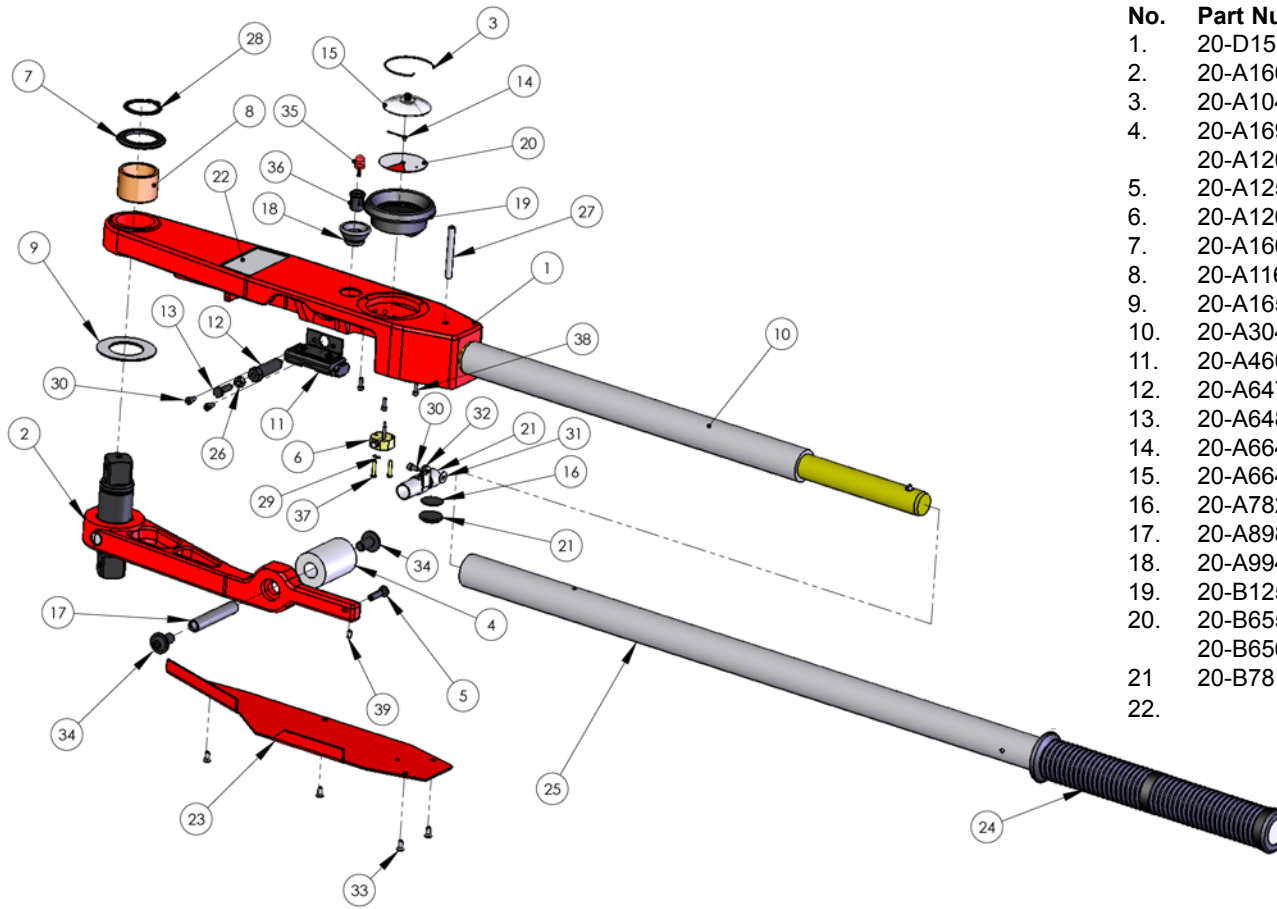


EDS Dial Wrench Parts List



No.	Part Number	Description	Qty.
1.	20-D15750	Casting Details Upper Body Half	1
2.	20-A16602	Body Lower Half & Spindle Assembly	1
3.	20-A10460	Window Circlip	1
4.	20-A16990	Main Spring - EDS 1400 model	1
	20-A12010	Main Spring - EDS 2000 model	1
5.	20-A12530	Adjusting Screw	1
6.	20-A12687	Rack & Pinion Assembly	1
7.	20-A16650	Circlip Washer (Double End)	1
8.	20-A116570	Bearing Wash	1
9.	20-A16590	Thrust Washer	1
10.	20-A30480	Assembly of Split Handle	1
11.	20-A46020	Battery Holder Assembly	1
12.	20-A64790	Stop Body	1
13.	20-A64800	Stop Adjusting Screw	1
14.	20-A66432	Hand Assembly - BDS, CDS, DDS & EDS	1
15.	20-A66462	Window Assembly - Signal	1
16.	20-A78210	Foam Pad	1
17.	20-A89860	Tie Shaft	1
18.	20-A99410	Lamp Holder	1
19.	20-B12510	Window Housing	1
20.	20-B65590	Dial - EDS 1400 model	1
	20-B65620	Dial - EDS 2000 model	1
21.	20-B78104	Signal Unit - Buzzer	1
22.		Tool Lables	1

No.	Part Number	Description	Qty.
23.	20-C54480	Cover Plate	1
	20-A39710	Instruction Label	1
24.	20-C65790	Hand Grip	1
25.	20-C65950	Handle Sub Assembly	1
26.	20-P10740	Hex Nut (Steel) - M6	1
27.	20-P10790	Mills Pin	1
28.	20-P10850	Cir Clip	1
29.	20-P15800	Terminal - 6BA Hole	1
30.	20-P15900	Skt Cap Screw - M4 x 8	3
31.	20-P15910	M4 - Washer	1

No.	Part Number	Description	Qty.
32.	20-P15920	P Clip	1
33.	20-P17300	CSK Skt Scre M4x10	4
34.	20-P18910	Flanged Head Screw	2
35.	20-P22590	LED	1
36.	20-P22600	LED Holder	1
37.	20-P24520	Pozi Pan Head - M3x16	2
38.	20-P25040	Skt Cap Sct. M3x10	3
39.	20-P28430	Skt Set Screw - M4x8	1



Version 1.0