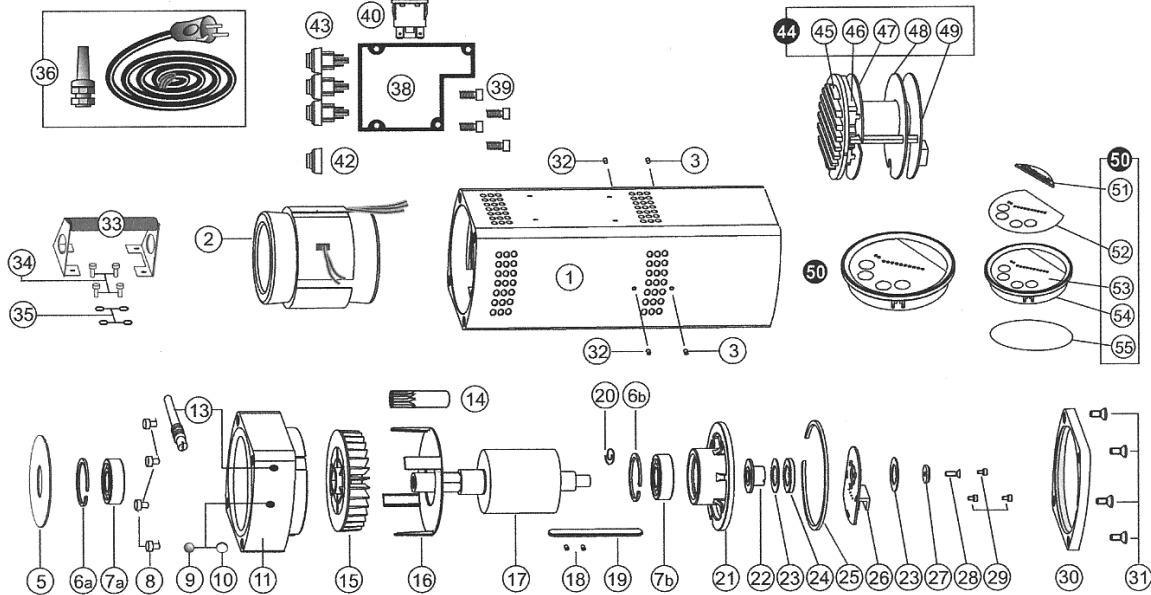


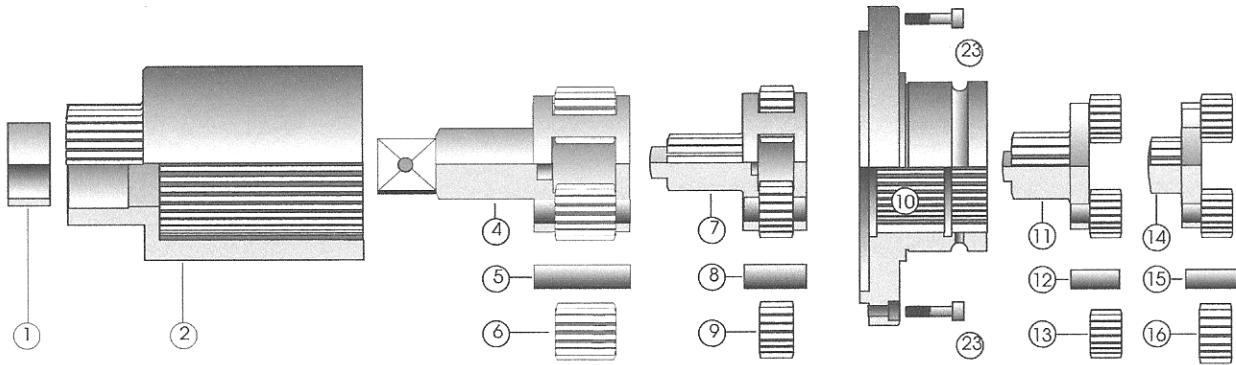
# EF600 (Motor)

Rev. 1.0



Ref #	Part #	Qty	Description	Ref #	Part #	Qty	Description
1	21-13501	1	EF housing	27	21-20725	1	Intermediate washer
2	21-13616	1	Stator with cable & temperature sensors	28	21-20724	1	Countersunk screw
3	21-20726	2	Stud bolt	29	21-20723	3	Hex allen screw
5	21-20780	1	Stop Washer	30	21-13529	1	Closing plate operation unit
6a	21-20719	1	Angular wheel	31	21-20026	4	Countersunk screw
6b	21-20721	1	Angular wheel	32	21-20728	2	Stud bolt
7a	21-20731	1	Helical ball bearing	33	21-16882	2	Handle
7b	21-20730	1	Deep groove ball bearing	34	21-20079	8	Screws
8	21-20041	4	Hex. allen screw	35	21-20077	8	Toothed plate
9	21-12419	1	Closing roll	36	21-13564	1	Mains cable with screwing
10	21-20108	30	Ball	38	21-13560	1	Housing primary operation unit
11	21-13706	1	Bearing shell gear	39	21-20078	4	Screws
13	21-13931	1	Blocking pin	40	21-13562	1	On/Off switch (Power supply)
14	21-13520	1	Motor Shaft Z8	42	21-13569	3	Cap (push button)
	21-13521	1	Motor Shaft Z11	43	21-13561	3	Push button trigger
	21-13522	1	Motor Shaft Z 17	44	21-13550	1	Panel electronic complete 45-49
15	21-13504	1	EF ventilating wheel	45	21-13513	1	Cooling unit
16	21-13505	1	EF Spoiler	46	21-13551	1	Power module
17	21-13618	1	Rotor	47	21-13552	1	Circuit board
18	21-20728	2	Stud bolt	48	21-13553	1	Logic-circuit board
19	21-13507	1	EF motor feather key	49	21-13554	1	Mains filter
20	21-20740	1	Pretension spring EF-motor	50	21-13532	1	Operation unit LED compl 51-55
21	21-13503	1	Bearing plate	51	21-13540	1	Operating cover
22	21-13508	1	Hard ferrite magnetic support	52	21-13535	1	Keyboard foil LED
23	21-13514	2	Adjusting washer	53	21-13534	1	Operation housing LED
24	21-13515	1	Hard ferrite magnet	54	21-13537	1	Operation electronic LED
25	21-20722	1	Seeeger circlip ring	55	21-13539	1	Profile gasket
26	21-13511	1	Hall sensor circuit				

# EF600 Gearing



Ref #	Part #	Quantity	Description
1	21-20141	1	Sleeve
2	21-10216	1	Gear housing
4	21-10186	1	Gear cage 1 1/2"
5	21-20014	4	Gear pins
6	21-10154	4	Planet gears
7	21-10176	1	Gear cage
8	21-20013	3	Gear pins
9	21-10152	3	Planet gears
10	21-12414	1	Rotary housing
11	21-10164	1	Gear cage L
12	21-10142	3	Bearing pins
13	21-10145	3	Planet gears
14	21-10149	1	Gear cage
15	21-10142	3	Bearing pins
16	21-10145	3	Planet gears
23	21-20062	4	Hexagon Screw