

EZ-12T & EZ-30T Telescoping Arms Operation Instructions



EZ-12T & EZ-30T Operation Instructions

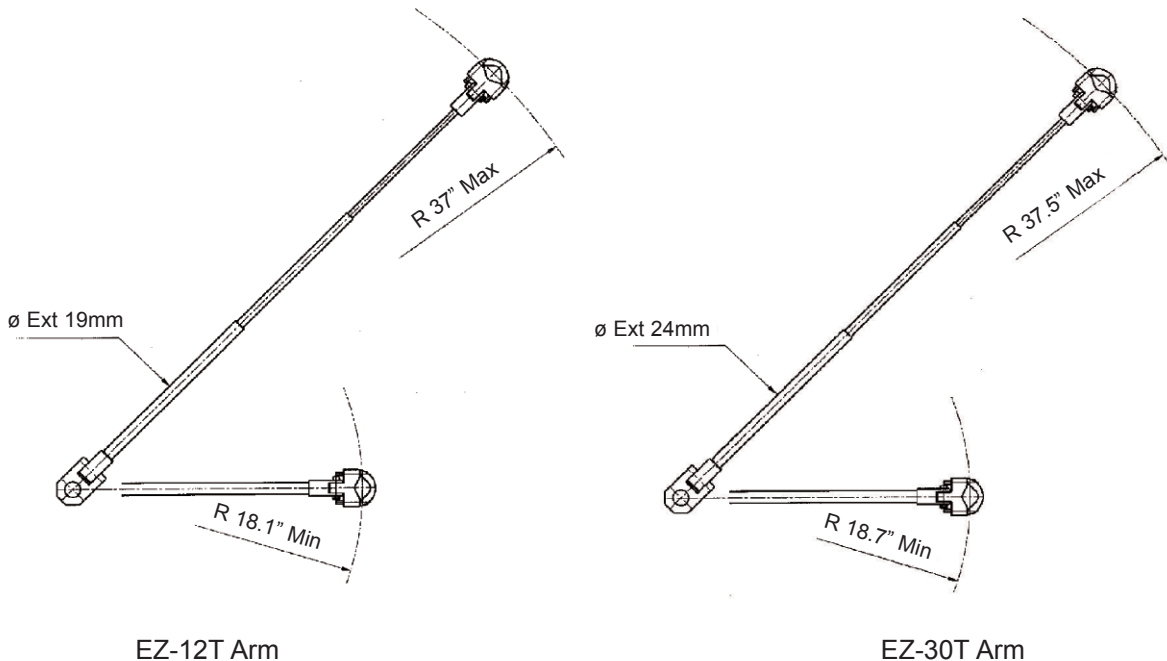
Introduction

The Telescoping arm provides the operator full flexibility on the assembly line. Crafted with lightweight durable carbon fiber the arm collapses like a telescope. The easy-to-use arm requires little space and doesn't disrupt the flow of production. Can be mounted to a workbench or wall. The carbon fiber design provides for high level of rigidity and flexibility as well as being maintenance free.

Model	Item #	Max Torque		Clamp Dia.	Min Arm Reach	Max Arm Reach
		lbft.ft	N.m			
EZ-12T	260075	8.8	12	1 - 1.5"	18.1"	37"
EZ-30T	260076	22.1	30	1 - 2"	18.7"	37.5"

Safety Measure in Use

1. When the arm is mounted, make sure that the support is securely attached.
2. Tighten the electric or pneumatic tool onto the clamp sufficiently, but not excessively.
3. Make sure there is a balancing system attached to the electric or pneumatic tool and properly attached.
4. Never lubricate the carbon fiber tube of the telescoping arm. Just clean the tube with a clean cloth.
5. Before the arm is operated, make sure there are no objects obstructing the arm and the electric or pneumatic tool (working range).



EZ-12T & EZ-30T Operation Instructions

Installation and Maintenance Recommendations for the Telescoping Arms

1. Make sure that the carbon fiber tubes are not subject to impact when the arm is in use.
2. The telescoping arms should not be used at maximum arm reach on a permanent basis.
3. Check that there is no excessive play in the clamp/yoke link (see Fig 1).
4. Don't tilt and operate the arm over a 45 degree angle (see Fig 2).
5. When the Telescoping Arm is installed at horizontal position, use the universal adapter delivered with the arm.
6. When the Telescoping Arm is installed at vertical position, remove the universal adapter delivered with the arm.

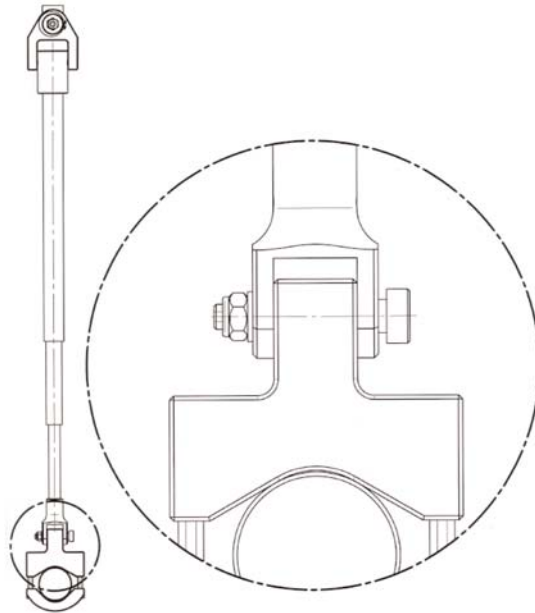


Fig 1

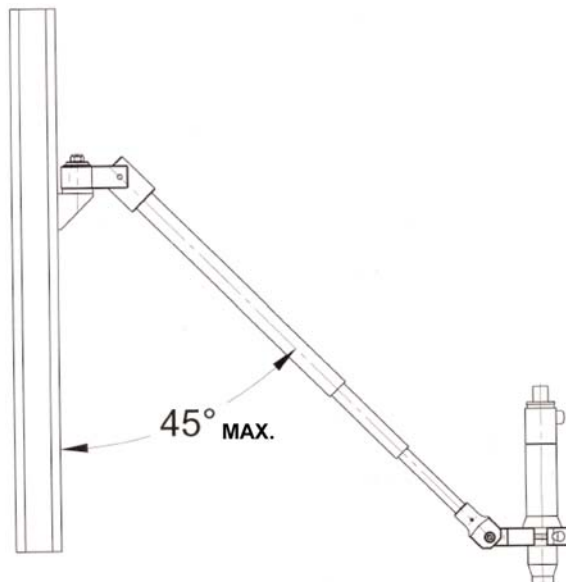
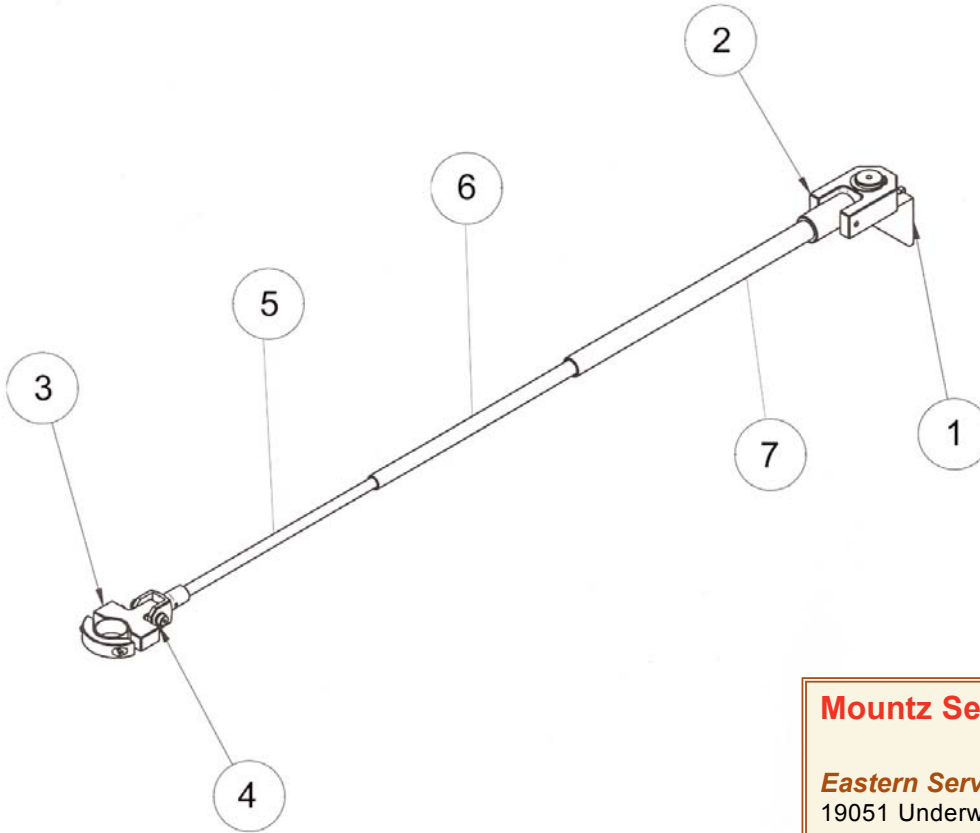


Fig 2

EZ-12T & EZ-30T Operation Instructions

Exploded View



No.	Description
7	Main Carbon Fiber Tube
6	Carbon Fiber Tube
5	Carbon Fiber Rod
4	Tool Clamp Holder
3	Tool Clamp
2	Carbon Fiber Tube Holder
1	Universal Adapter

Mountz Service Locations

Eastern Service Center

19051 Underwood Rd.
 Foley, AL 36535
 Phone: (251) 943-4125
 Fax: (251) 943-4979

Western Service Center

1080 N.11th Street
 San Jose, CA 95112
 Phone: (408) 292-2214
 Fax: (408) 292-2733

Mexico Service Center

Mountz Mexico SA de CV Chihuahua
 Av. Cristobal Colon #15343
 Col. Paseos de Chihuahua
 Chihuahua, Chih. Mexico CP 31125
 Phone: (614) 481-0023
 Fax: (614) 481-0053

www.eturque.com

Download a "Service Form" and include a copy
 when you send the tools in to be serviced.