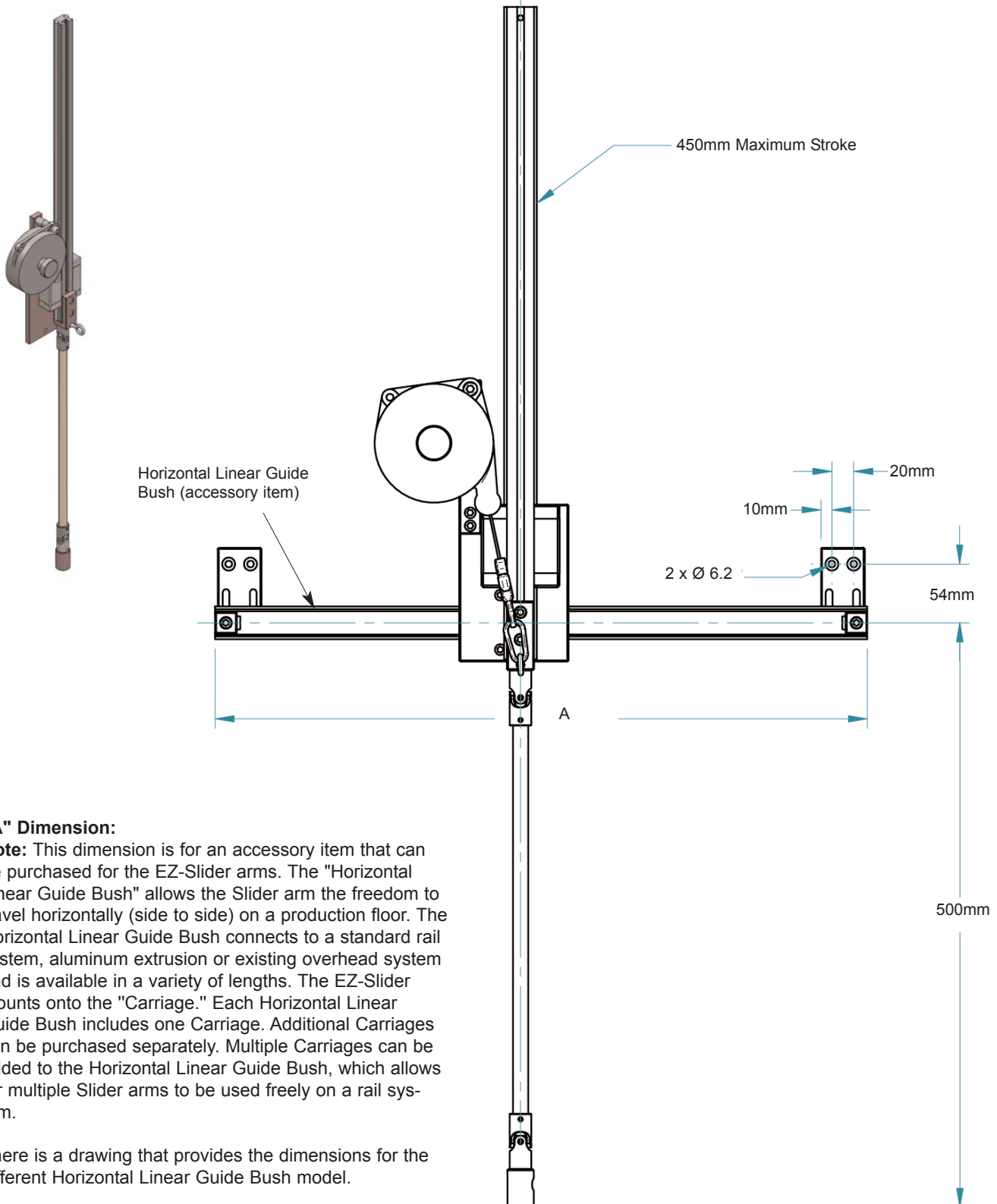


# EZ-Slider 8 Drawing



**"A" Dimension:**

**Note:** This dimension is for an accessory item that can be purchased for the EZ-Slider arms. The "Horizontal Linear Guide Bush" allows the Slider arm the freedom to travel horizontally (side to side) on a production floor. The Horizontal Linear Guide Bush connects to a standard rail system, aluminum extrusion or existing overhead system and is available in a variety of lengths. The EZ-Slider mounts onto the "Carriage." Each Horizontal Linear Guide Bush includes one Carriage. Additional Carriages can be purchased separately. Multiple Carriages can be added to the Horizontal Linear Guide Bush, which allows for multiple Slider arms to be used freely on a rail system.

There is a drawing that provides the dimensions for the different Horizontal Linear Guide Bush model.

# EZ-Slider 8 Drawing

