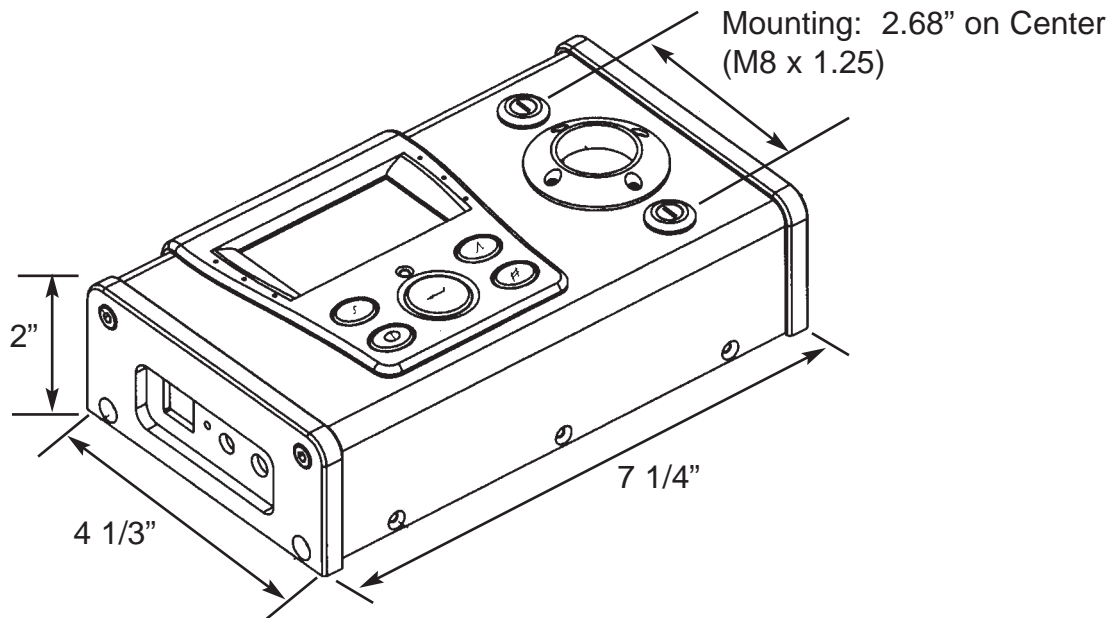


## EZ-TorQ Line Drawing



### Mountz Calibration & Repair Services

Mountz Inc. features an experienced calibration and repair staff. Our trained technicians can calibrate and repair most any tool. Mountz provides rapid service with quality that you can trust as we offer three state-of-the-art calibration lab and repair facilities that can calibrate up to 20,000 lbf.ft.

With over 45 years of experience, Mountz's in-depth knowledge of torque is reflected in our tool's craftsmanship and our ability to provide solutions to both common and uncommon torque applications. We perform calibrations in accordance with ANSI/NCSL-Z540. Mountz is dedicated solely to the manufacturing, marketing and servicing of high quality torque tools.

### Contact Mountz Inc.

Phone: 408.292.2214

Fax: 408.292.2733

[sales@mountztorque.com](mailto:sales@mountztorque.com)

[www.mountztorque.com](http://www.mountztorque.com)

Looking for fasteners?

[www.mrmetric.com](http://www.mrmetric.com)

