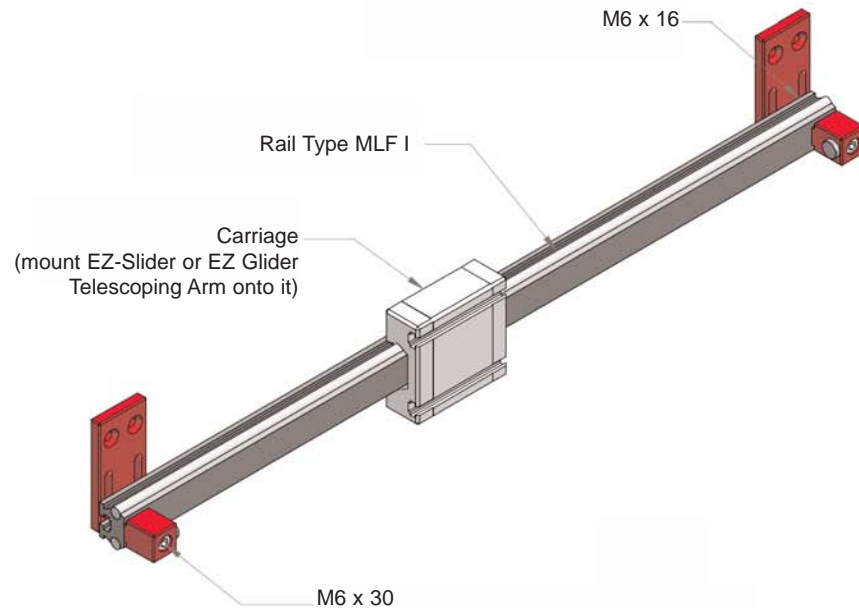
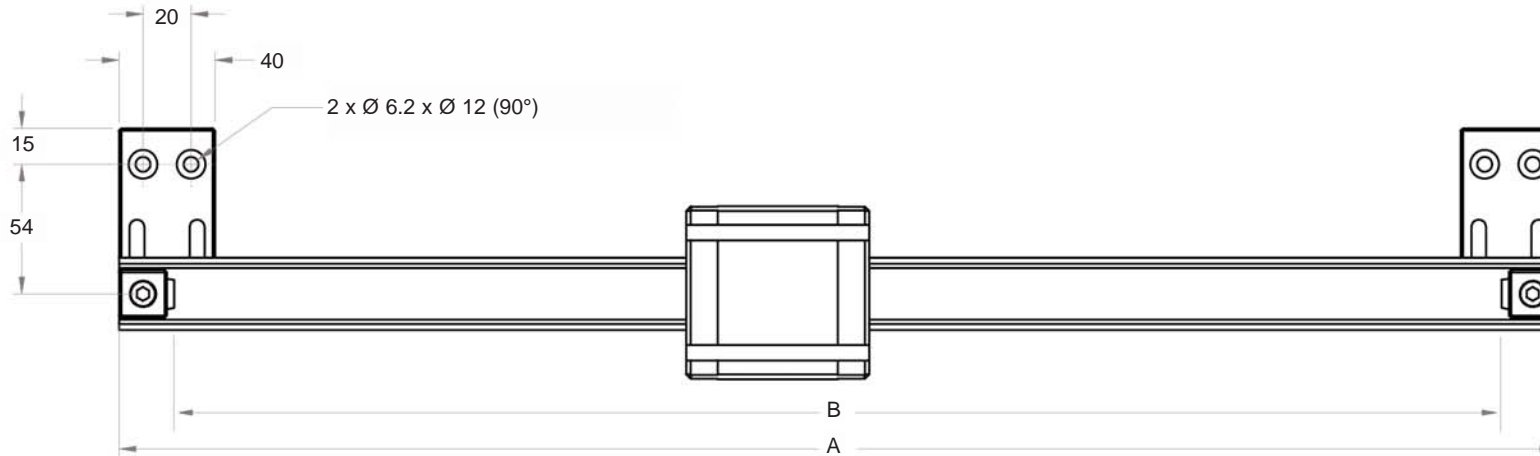


Gliding Rail System Drawing



A OAL	B Working Distance
600 mm	450 mm
800 mm	650 mm
1000 mm	850 mm
1200 mm	1050 mm
1500 mm	1350 mm
2000 mm	1850 mm