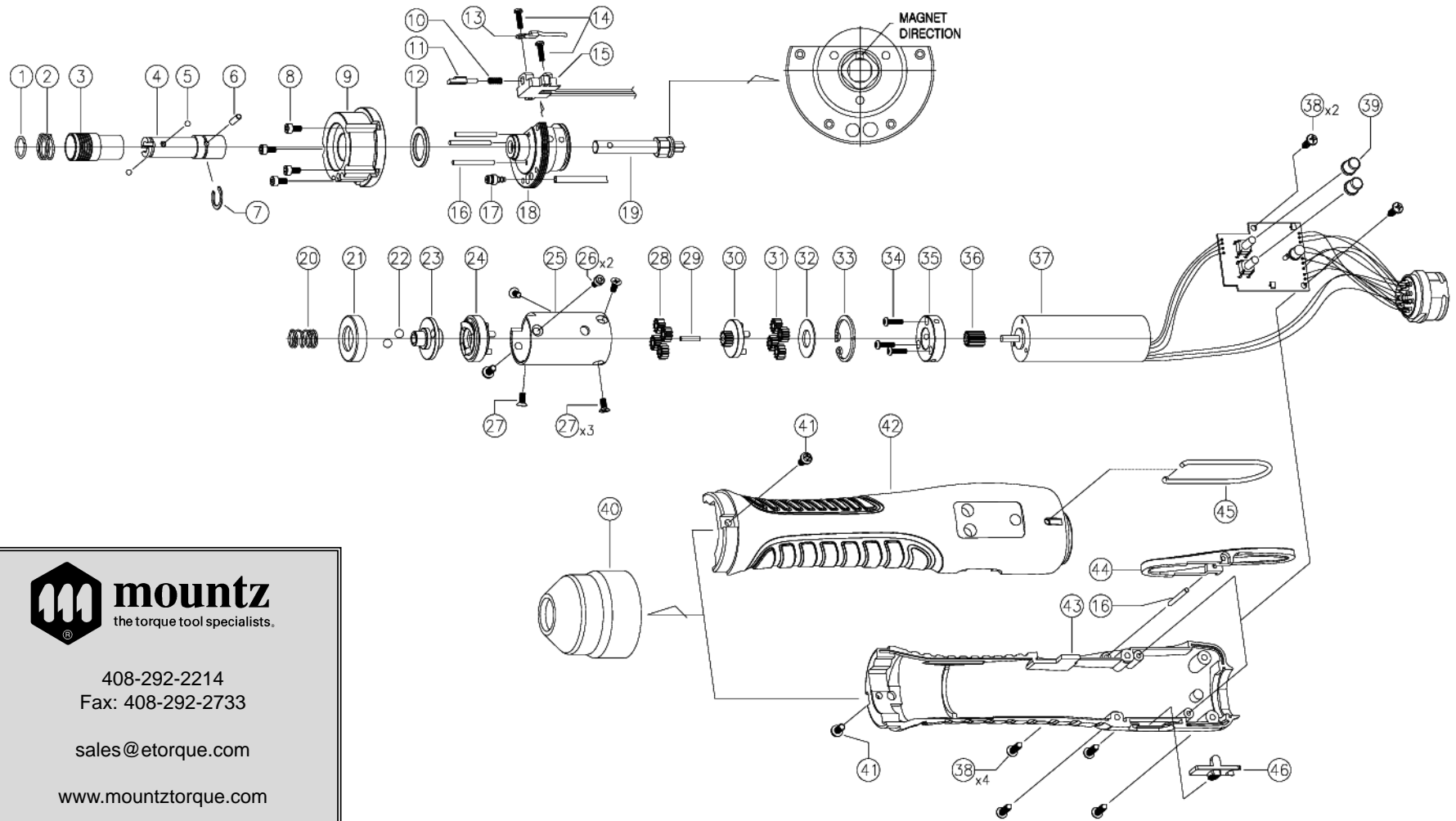


HD150P-A Brushless Driver (1/4 F/Hex)

Version 1.0 (3/25/10)



mountz
the torque tool specialists.

408-292-2214
Fax: 408-292-2733

sales@etorque.com

www.mountztorque.com



ISO 9001

HD150P-A Brushless Driver (1/4 F/Hex)

Version 1.0 (3/25/10)

No.	Part Number	Description	Qty.	No.	Part Number	Description	Qty.
1	14-PAL1973	Bit Socket Ring	1	35	14-PFF1839A	Mounting Flange	1
2	14-5000063	Collar spring	1	36	14-PFE1235	Pinion Gear	1
3	14-5000060	Collar A	1	37	14-3000089	HD Motor Ass'y (Push)	1
4	14-PSK1401	Bit Socket (1/4 F/Hex)	1	38	14-PSW2602	Screw	6
5	14-PAL1928	Steel Ball	2	39	14-5000070	Button Cap	2
6	14-PAL1231	Gear Holder Pin	1	40	14-5000071	Housing nut for HD150	1
7	14-PSK1954	C-Ring	1	41	14-5000072	Screw	2
8	14-PSW2201	Wrench Bolt	4	42	14-5000073	HD Upper Housing	1
9	14-3000075	Cylinder Ass'y For HD150	1	43	14-5000074	HD Lower Housing	1
10	14-5000064	Limit Spring	1	44	14-5000080	HD Attachment	1
11	14-3000076	Slide Bar Ass'y	1	45	14-PAL1803	Hook	1
12	14-5000061	Needle Pin Support	1	46	14-PFF1130	Switch Lever Ass'y	1
13	14-5000065	Earth Wire (HD)	1				
14	14-PSW2211	Screw	2				
15	14-3000086	Semspr Assu (Push)	1				
16	14-PSK1327	Needle Pin	4				
17	14-3000078	Cylinder Fitting Ass'y	1				
18	14-3000087	Bea. Cover Ass'y (Push)	1				
19	14-3000088	Push Shaft Ass'y	1				
20	14-5000078	Push Spring	1				
21	14-PFF1319	Slide Ring	1				
22	14-PAL1932	Steel Ball	2				
23	14-5000079	Shaft B	1				
24	14-3000080	Clutch Ass'y for (HD, NF150)	1				
25	14-PFE1201A	Gear Case	1				
26	14-PSW2201	Wrench Bolt	2				
27	14-PSW2207	Screw	4				
28	14-5000067	2nd Idle Gear	4				
29	14-PFE1915	Center Pin	1				
30	14-PFE1102	1st Gear Holder Ass'y	1				
31	14-5000068	1st Idle Gear	4				
32	14-PFE1947	Washer	1				
33	14-PFE1903	Snap Ring	1				
34	14-5000068	Wrench Bolt	3				