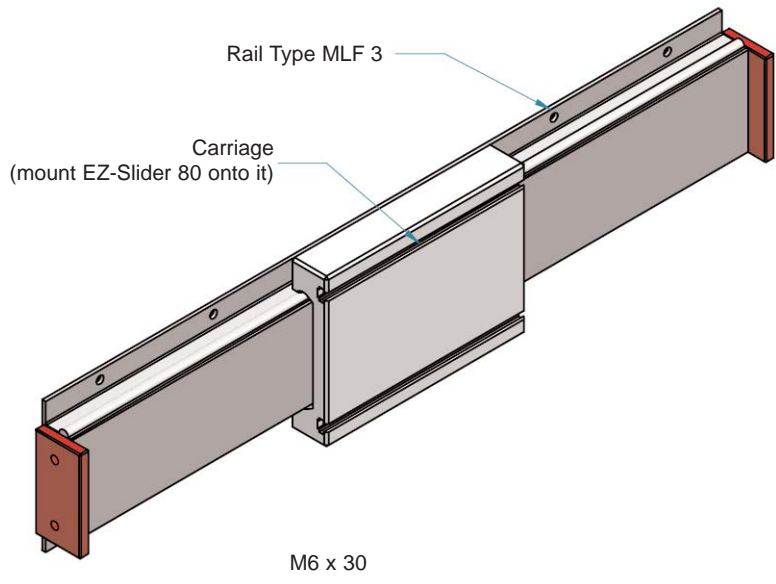
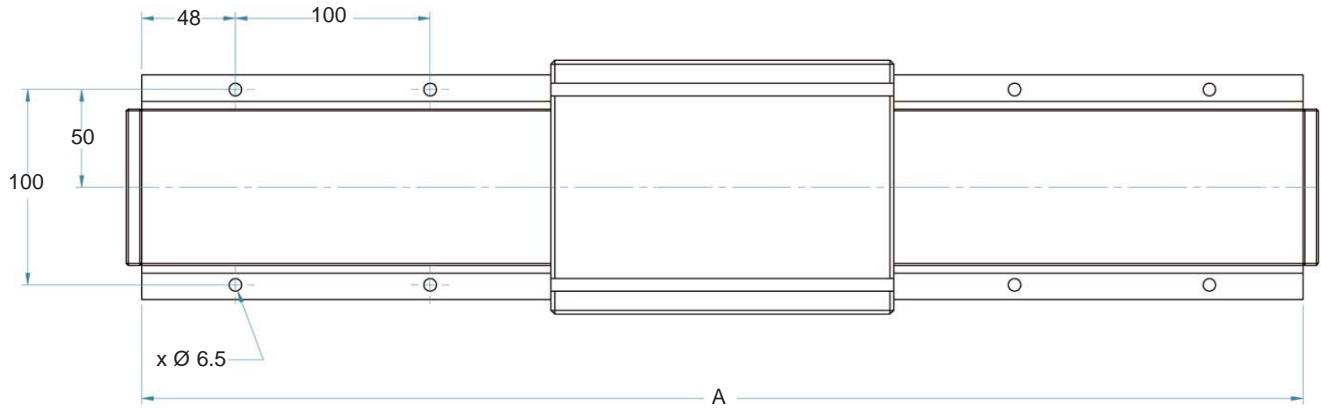


High Torque Gliding Rail System Drawing for EZ-Slider 80



A OAL	Working Distance
600 mm	420 mm
1000 mm	820 mm
1500 mm	1320 mm
2000 mm	1820 mm