

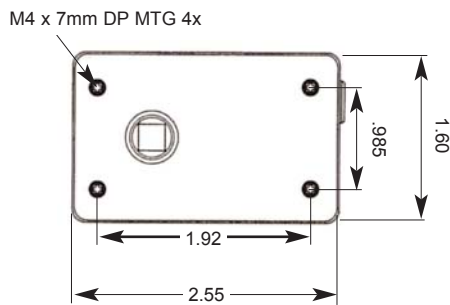
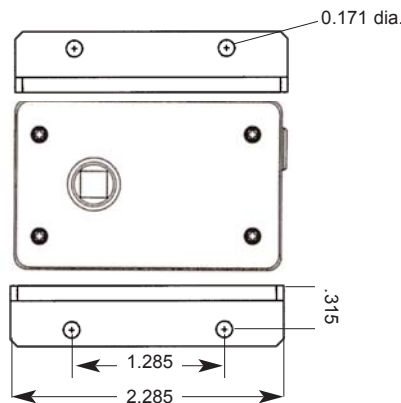
LPX Transducer Operation Instructions

Rev 1.0

LPX Transducer Mounting

The LPX transducer needs to be mounted securely before operating. Immobilizing the transducer is critical for the safety of the operator as well as for the accuracy of torque measurements during operation. A loose LPX transducer during utilization can impact the validity of torque readings.

There are two different mounting options for the LPX. **(Option 1)** There are four mounting holes underneath the LPX body. **(Option 2)** There are two mounting brackets that can be connected to the LPX body.

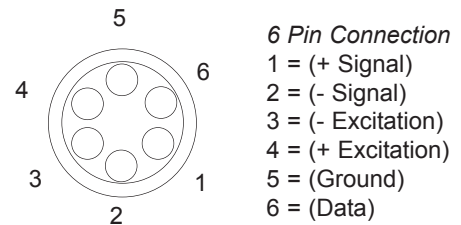
(Option 1)

(Option 2)


LPX Cabling/Connecting

Attach the appropriate cable (sold separately) for connecting the LPX with a Mountz Torque Analyzer. For non-Mountz Torque Analyzers, please reference Pin Diagram. Mountz can make cables for non-Mountz Torque Analyzers, please contact Customer Service at 408-292-2214.

Mountz Analyzer	Cable Item #
TorqueMate	065175
TorqueLab®	065175
Wizard	065176
Wizard Plus	065183
Super Series	065175 & 065126*
	*(Stic Box needed)

LPX Pin Connection



Operating LPX

Once the LPX is connected with a Mountz Torque Analyzer, follow the instructions in the Torque Analyzer manual for accessing external transducers.

Using Hand Tools

Make sure the tool is within the torque range of the LPX model. If the tool is under the torque range, then the accuracy may not be reliable. If the tool is over the torque range, then you may overtorque the LPX and damage the transducer. Place the wrench or screwdriver's drive into the LPX's F/Square Drive and apply torque. You may require an adapter for calibration or tool checks. Always make certain adapters are as short as possible and fit properly, with little "play."

LPX Transducer Operation Instructions

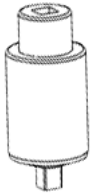
Rev 1.0

Using Power Tools

Make sure the tool is within the torque range of the LPX model. If the tool is under the torque range, then the accuracy may not be reliable. If the tool is over the torque range, then you may overtorque the LPX and damage the transducer.

Place Run Down Adapter into LPX

Always use a quality joint rate simulator (run down adapter) when testing power tools in a simulated application. Place the rundown adapter in the LPX's F/Square Drive. Then place a square drive adapter into the bit socket of the power tool and then slide it into the run down Adapter.



Switch the driver into "Forward" mode and apply torque. Once the rundown is complete, switch the driver in "Reverse" and reverse the Run Down Adapter to a consistent "home" position.

Mini-rundown adapters with fasteners are available for the LPX units. The kit includes 5 mini RDA units along with 10 fasteners. The mini-RDAs allow a close simulation of actual joints.

Mini RDA	Screws	Item #
Mini RDA2	PH Phil 2-56 x 1/4 SS	061229-2
Mini RDA4	PH Phil 4-40 x 1/4 SS	061229-4
Mini RDA6	PH Phil 6-32 x 1/4 SS	061229-6



Note: Change screws when thread wear occurs. (Recommended - approximately every 25 run downs).

Calibration Procedures

- Attach the LPX securely to a work surface with the cable connector toward the top so that the axis of tool rotation is parallel to the ground.
- Connect the LPX to a torque analyzer/display. Review the torque range of the transducer and select the appropriate measurement units.
- Determine type of calibration to be performed.
 - Calibration at 3 Pts. Test at 10%, 50% and 100 of Full Scale.*
 - Calibration at 6 Pts. Test at 10%, 20%, 40%, 60% 80% and 100 of Full Scale.*
 - Direction Clockwise and/or Counter Clockwise*
- Select the appropriate Calibration Arm or Wheel. Attach it to the input drive of the LPX.
- Gently connect the Hanger to the Calibration Arm or wheel.
- Load 3 times to minimum 80% FS in direction of operation and reset to zero after loading.
- Apply series of increasing torques in direction of operation starting from the lowest test point.
- Record readings from the test device at each test point prior to performing any adjustments.
- Repeat steps 6-8 in the opposite direction (if required).
- Perform calibration adjustments. Repeat test as described above until readings at all test points are within tolerances.
- Repeat test as described above and record 5 readings from test device at each test point. Compile all necessary details to generate test report.
- Remove old calibration label and place new label on transducer.



800-456-1828
Fax: 408-292-2214

mountzsales@mountztorque.com

www.ETorque.com

