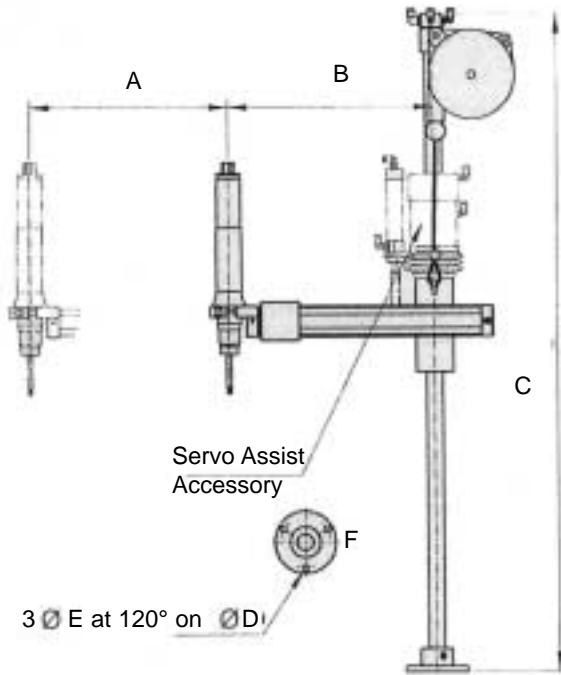


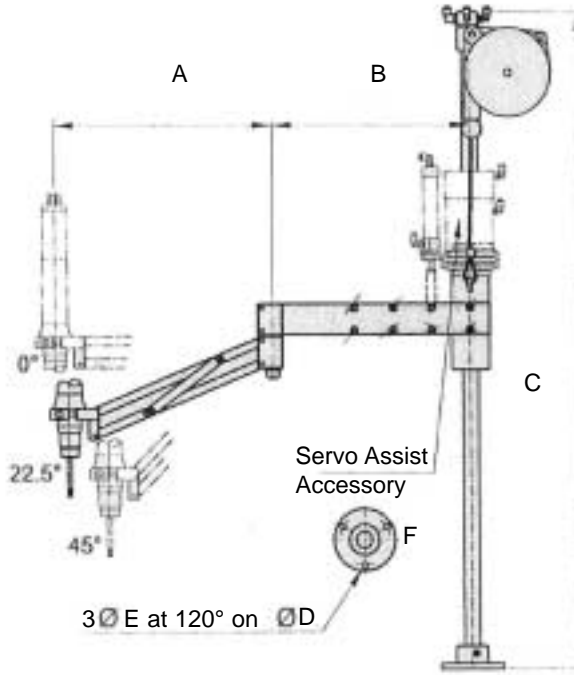
# EZ-Glider Linear & Articulated Arm Dimensions

Version 1.

Linear Arms



Articulated Arms



Linear Arms

Model	A (mm)	B (mm)	C (mm)	D Drilling (mm)	E Hole (mm)	F Foot (mm)
EZ-12	230	Min 190 - Max 340	830	65	8.5	78
EZ-25	210	Min 205 - Max 355	930	65	8.5	78
EZ-40	295	Min 260 - Max 460	1030	100	8.5	118
EZ-100	330	Min 315 - Max 515	1030	126	10.5	148

Articulated Arms

Model	A 0°(mm)	A 22.5°(mm)	A 45°(mm)	B (mm)	C (mm)	D Drilling (mm)	E Hole (mm)	F Foot (mm)
EZ-12R	279	261	209	Min 105 - Max 255	830	65	8.5	78
EZ-25R	296	278.5	227	Min 100 - Max 250	930	65	8.5	78
EZ-40R	414	387.5	310.5	Min 150 - Max 350	1030	100	8.5	118
EZ-100R	463	434	352	Min 205 - Max 405	1030	126	10.5	148