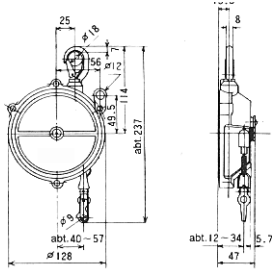
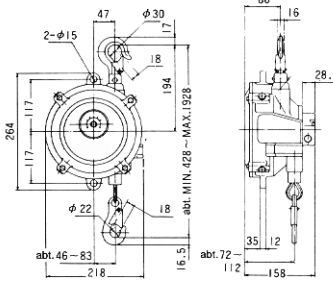


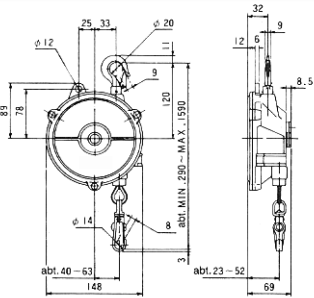
MZ Balancer Drawings



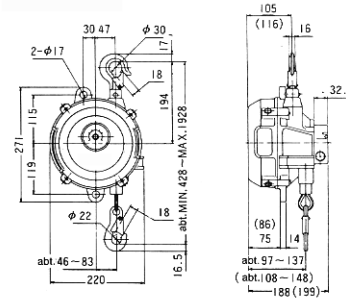
MZ-3A & MZ-3B



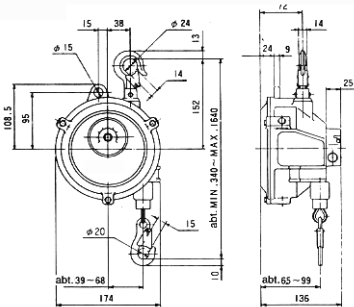
MZ-48 & MZ-66



MZ-6 & MZ-11



MZ-88 & MZ-110
MZ-132 & MZ-154



MZ-20 & MZ-33