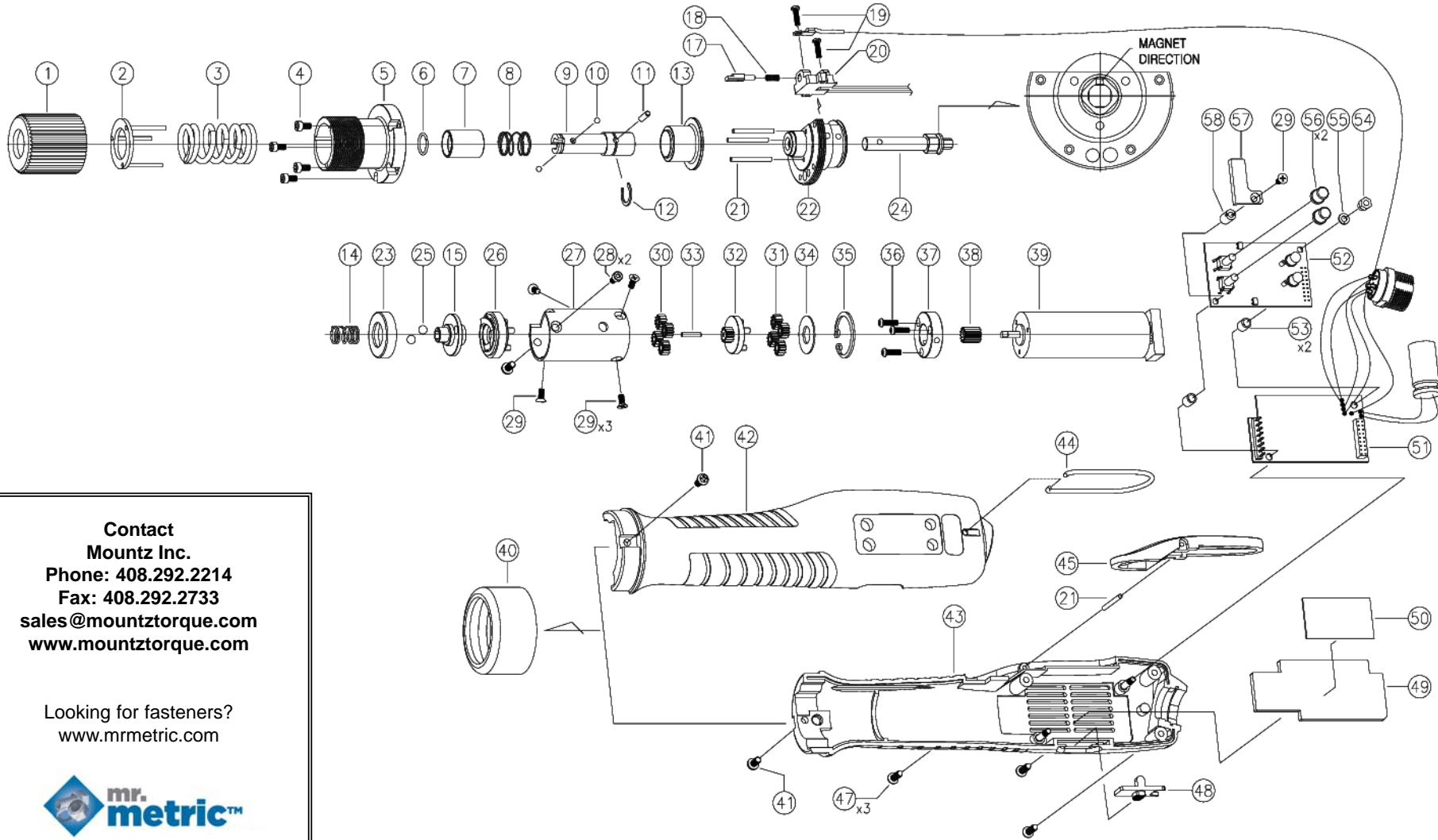


NF150P, NF220P, NF150P Plus, NF220P Plus Models (1/4 F/Hex)

August 10, 2010



Contact
Mountz Inc.
Phone: 408.292.2214
Fax: 408.292.2733
sales@mountztorque.com
www.mountztorque.com

Looking for fasteners?
www.mrmetric.com



**mr.
metric™**



NF150P, NF220P, NF150P Plus, NF220P Plus Models (1/4 F/Hex)

August 10, 2010

No.	Part Number	Description	Qty.	Note	No.	Part Number	Description	Qty.	Note
1	14-PSS1801	Adjuster	1			14-PFE1102	1st Gear Holder Assy	1	
2	14-PSK1132	Torque Spring Holder Assy	1		33	14-PFE1915	Center Pin	1	
3	14-5000137	Torque Spring (Silver)	1	For NF150	34	14-PFE1947	Washer	1	
3	14-5000138	Torque Spring (Gold)	1	For NF220	35	14-PFE1903	Snap Ring	1	
4	14-PSW2201	Wrench Bolt	4		36	14-5000068	Wrench Bolt	3	
5	14-3000156	Top Cover For NF	1		37	14-PFF1839A	Mounting Flange	1	
6	14-PAL1973	Bit Socket Ring	1		38	14-PFE1235	Pinion Gear (NF150)	1	
7	14-PSK1410	Bit Collar	1		38	14-PFE1236	Pinion Gear (NF220)	1	
8	14-PSK1946	Collar Spring	1		39	14-3000158	Motor (NF150 & NF220)	1	
9	14-PSK1401	Bit Socket A (1/4 F/Hex)	1		40	14-5000033	Housing Nut for (NF150 & NF220)	1	
10	14-PAL1928	Steel Ball	2		41	14-5000072	Screw	2	
11	14-PAL1931	Gear Holder Pin	1		42	14-58000142	NF Upper Housing	1	
12	14-PSK1954	C-Ring	1		43	14-3000159	NF Lower Housing	1	
13	14-5000035	Sleeve For NF	1		44	14-PAL1803	Hook	1	
14	14-PAL1946	Bend Washer	1		45	14-5000144	Attachement (NF)	1	
15	14-PSK1921	Thrust Bearing	1		47	14-PSW2602	Screw	3	
16	14-5000077	Oilless Bearing	1		48	14-PFF1130	Switch Lever Assy	1	
17	14-3000076	Slide Bar Assy	1		49	14-5000135	Heat Sink	1	
18	14-5000064	Limit Spring	1		50	14-5000143	Thermer Silicon Pad	1	
19	14-PSW2211	Screw	2		51	14-3000161	AMP PCB Set (NF150 & NF220)	1	
20	14-3000077	Sensor Assy (Lever)	1		52	14-3000162	Control PCB Set For NF150	1	
21	14-PSK1327	Needle Pin	4		52	14-3000163	Control PCB Set For NF220	1	
22	14-3000079	Bea. Cover Assy (Lever)	1		52	14-3000164	Control PCB Set For NF150 Plus	1	
23	14-PFF1319	Slide Ring	1		52	14-3000165	Control PCB Set For NF220 Plus	1	
24	14-5000066	Shaft (Lever)	1		53	14-PFF1842A	PCB Support	2	
25	14-PAL1932	Steel Ball	2		54	14-PFF1842A	Nut	1	
26	14-3000080	Clutch Assy for (HD, NF150)	1		55	14-PFF1824	Spring Washer	1	
26	14-3000157	Clutch Assy for (NF220)	1		56	14-PSW2805	Button Cap	2	
27	14-PFE1201A	Gear Case	1		57	14-PFF1719	Connector Lock	1	
28	14-PSW2201	Wrench Bolt	2		58	14-PFF1824A	Slot Nut	1	
29	14-PSW2207	Screw	4						
30	14-5000067	2nd Idle Gear (HD, NF150)	4						
	14-PFE1212	2nd Idle Gear (NF220)	4						
31	14-5000068	1st Idle Gear (HD, NF150)	4						
	14-5000134	1st Idle Gear (NF220)	3						