

Sleeve Drive Impact Sockets

Impact & Pulse Tools

KEY FEATURES

Sleeve drive sockets provide stability and prevent wobble and distortion. Less vibration reduces wear on the critical components of the pulse tool.

Sleeve drive sockets should be used with an impact or pulse tool that accepts extended shaft sleeve type sockets.

3/8" Sq. Dr. (6 Point Sockets) AMERICAN

Size	Item #	D2 mm	D1 mm	L2 mm	L mm
1/4"	272500	19	11	5	43
5/16"	272501	19	13	6	43
3/8"	272502	19	15	7	43
7/16"	272503	19	17.5	8	43
1/2"	272504	22	20	9	43
9/16"	272505	22	21	9	43
5/8"	272506	22	24	12	43
11/16"	272507	22	25	12	43
3/4"	272508	22	27	12	43
13/16"	272509	22	30	13	43
7/8"	272510	23	31	14	50
15/16"	272511	23	34	15	50
1"	272512	23	36	15	50
1-1/16"	272513	23	38	15	50

3/8" Sq. Dr. (6 Point Sockets) METRIC

Size	Item #	D2 mm	D1 mm	L2 mm	L mm
6	272514	19	11	5	43
7	272515	19	12	5	43
8	272516	19	13	7	43
9	272517	19	15	7	43
10	272518	19	16	7	43
11	272519	19	17.5	8	43
12	272520	19	18.5	9	43
13	272521	22	20	9	43
14	272522	22	21	9	43
15	272523	22	22	12	43
16	272524	22	24	12	43
17	272525	22	25	12	43
18	272526	22	26	12	43
19	272527	22	27	12	43
20	272528	22	28	13	43
21	272529	22	30	13	43
22	272530	23	31	14	50
23	272531	23	32	14	50
24	272532	23	34	15	50
25	272533	23	35	15	50
26	272534	23	36	15	50
27	272535	23	38	15	50

1/2" Sq. Dr. (6 Point Sockets) AMERICAN

Size	Item #	D2 mm	D1 mm	L2 mm	L mm
1/4"	272536	25	13	6	52
5/16"	272537	25	15	9	52
3/8"	272538	25	17.5	12	52
7/16"	272539	25	18.5	12	52
1/2"	272540	25	21	12	52
9/16"	272541	25	22.5	12	52
5/8"	272542	30	25	12	52
11/16"	272543	30	27.5	13	52
3/4"	272544	30	28.5	13	52
13/16"	272545	30	31	14	52
7/8"	272546	30	32	14	52
15/16"	272547	30	35	15	52
1"	272548	30	38	17	57
1-1/16"	272549	30	38.5	17	57
1-1/8"	272550	30	41	18	57
1-3/16"	272551	30	42	18	57
1-1/4"	272552	30	44	20	62
1-5/16"	272553	30	46	20	62
1-3/8"	272554	30	50	21	62
1-7/16"	272555	30	52	22	62
1-1/2"	272556	38	54	23	65

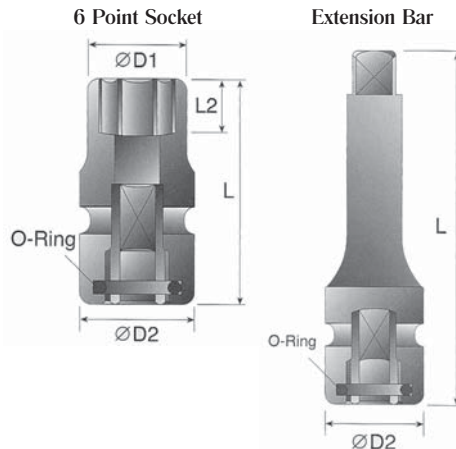
1/2" Sq. Dr. (6 Point Sockets) METRIC

Size	Item #	D2 mm	D1 mm	L2 mm	L mm
6	272557	25	13	6	52
7	272558	25	14	7	52
8	272559	25	15	9	52
9	272560	25	16	12	52
10	272561	25	17.5	12	52
11	272562	25	18.5	12	52
12	272563	25	20	12	52
13	272564	25	21	12	52
14	272565	25	22.5	12	52
15	272566	30	23.5	12	52
16	272567	30	25	12	52
17	272568	30	26	13	52
18	272569	30	27.5	13	52
19	272570	30	28.5	13	52
20	272571	30	30	14	52
21	272572	30	31	14	52
22	272573	30	32	14	52
23	272574	30	34	14	52
24	272575	30	35	15	52
25	272576	30	36	15	57
26	272577	30	38	17	57
27	272578	30	38.5	17	57
28	272579	30	40	17	57
29	272580	30	41	18	57
30	272581	30	42	18	57
31	272582	30	43	18	57
32	272583	30	44	20	62
33	272584	30	46	20	62
34	272585	30	48	21	62
35	272586	30	50	21	62
36	272587	30	52	22	62
38	272588	38	54	23	65



NOTE!

Sleeve sockets also available in extended lengths with and without magnet, hex bit, Torx®, External Torx®, stud setter and quick release chuck types. Please inquire for sizes and availability.



Extension Bars

Input Drive	Item #	Output Drive	D2 mm	L mm	Male End Type
3/8"	272589	3/8"	22	75	Pin Hole
3/8"	272590	3/8"	22	100	Pin Hole
3/8"	272591	3/8"	22	150	Pin Hole
1/2"	272592	1/2"	25	75	Pin Hole
1/2"	272593	1/2"	25	100	Pin Hole
1/2"	272594	1/2"	25	150	Pin Hole