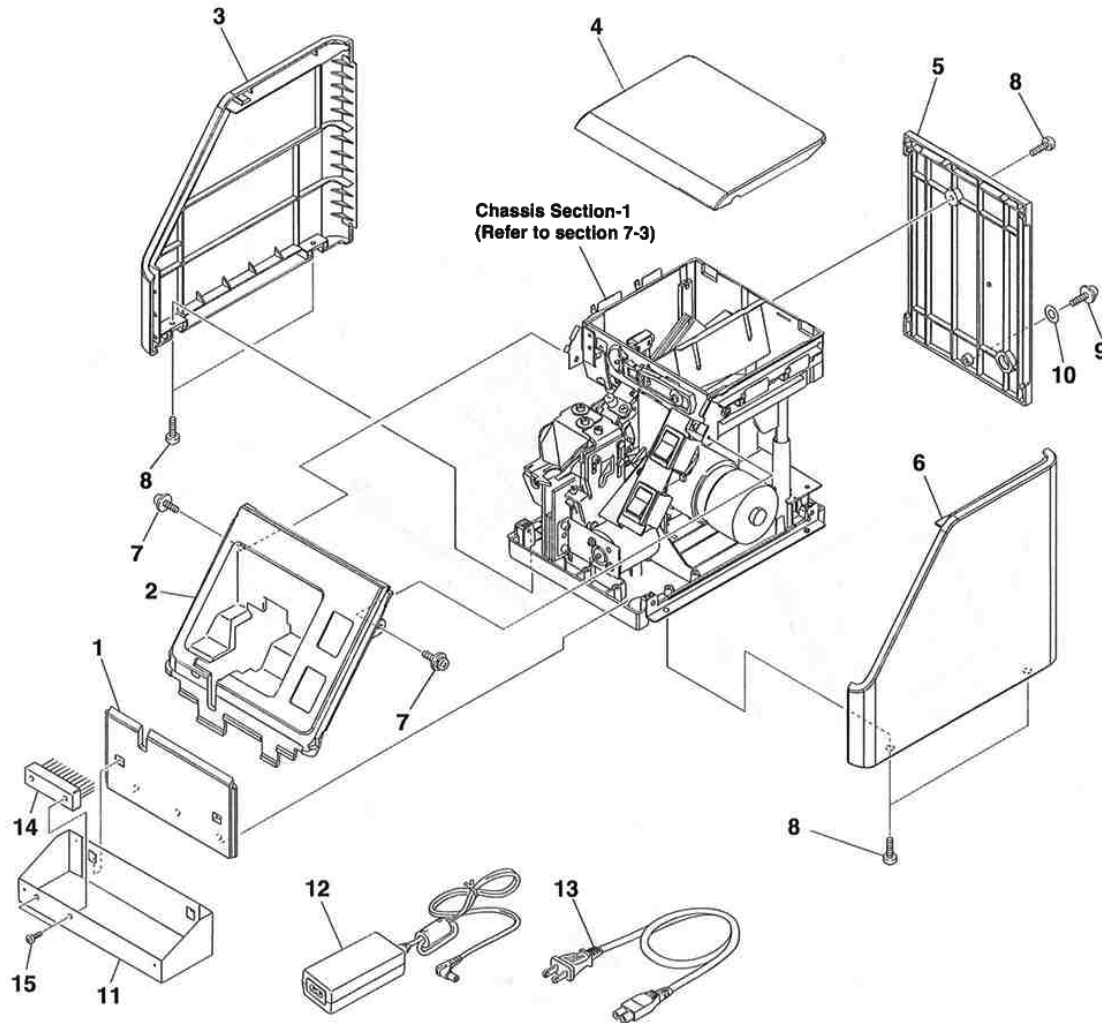


# Sony FeedKids 505 Series Parts Lists

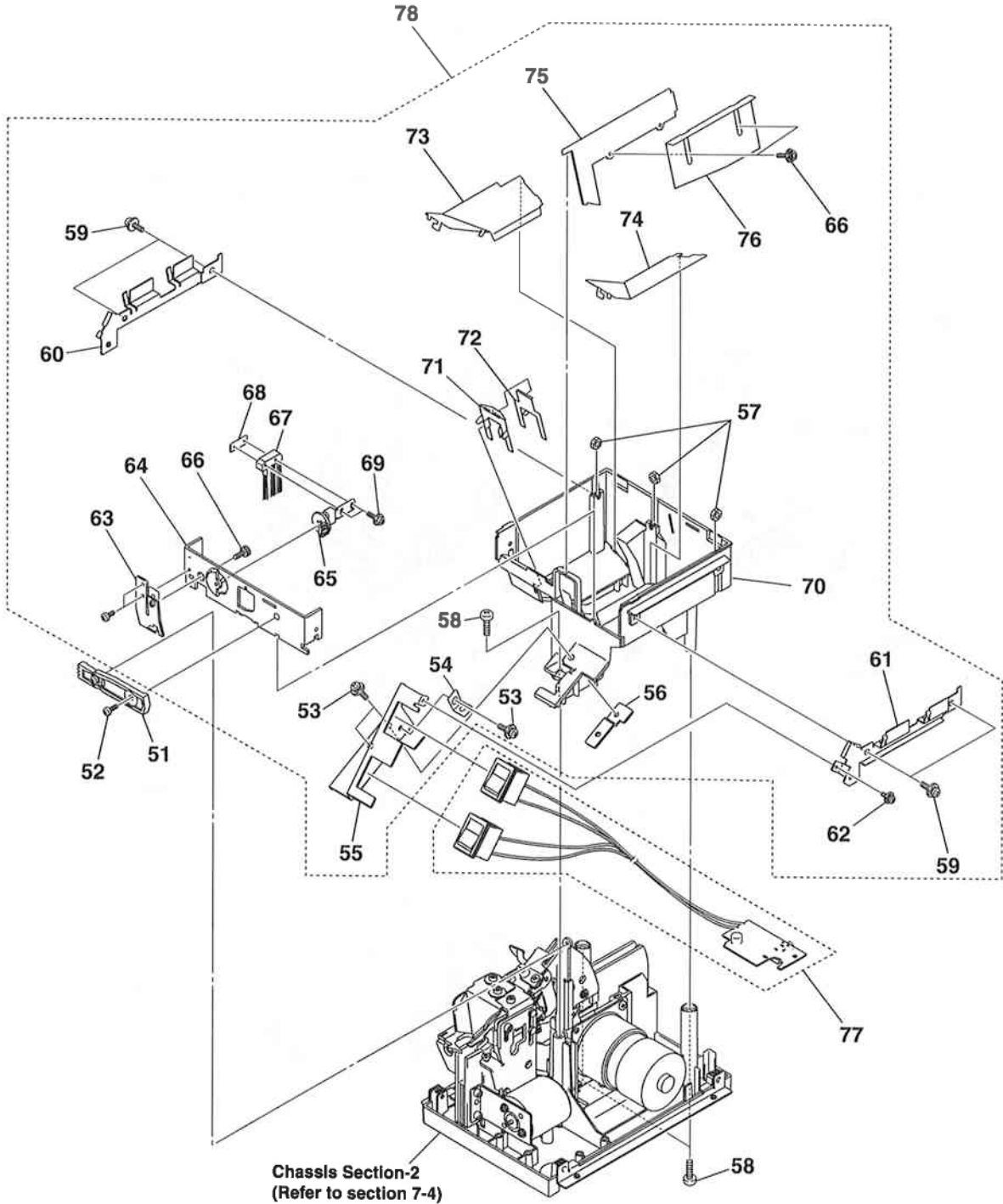
7-2 Overall (For FK514-550 & FK514F-550F models)



No.	Part Number	Description	Qty.
1	Panel Front	41-3-093-201-01	1
2	Panel Front Cover	41-3-093-200-01	1
3	Plate (Left)	41-3-093-199-01	1
4	Lid	41-3-093-197-01	1
5	Panel Rear	41-3-093-202-01	1
6	Plate (Right)	41-3-093-198-01	1
7	Screw +PSW, 2.6x6	41-7-621-759-45	2
8	T2.6x8	41-2-696-935-11	3
9	Screw +PSW, 2.6x12	41-7-621-759-85	1
10	Washer 2.7x0.8 Plain	41-2-686-658-01	1
11	Retainer Assembly Screw	41-A-1203-023-A	1
12	AC Adapter	41-1-468-626-65	1
13	Power Cord (USA)	41-1-757-562-61	1
	Power Cord (Europe)	41-575-131-82	1
14	Brush Screw Retainer	41-2-686-659-01	1
15	P1.7x6	41-3-252-825-01	1

# Sony FeedKids 505 Series Parts Lists

7-3 Chassis Section-1 (For FK514-550 & FK514F-550F models)





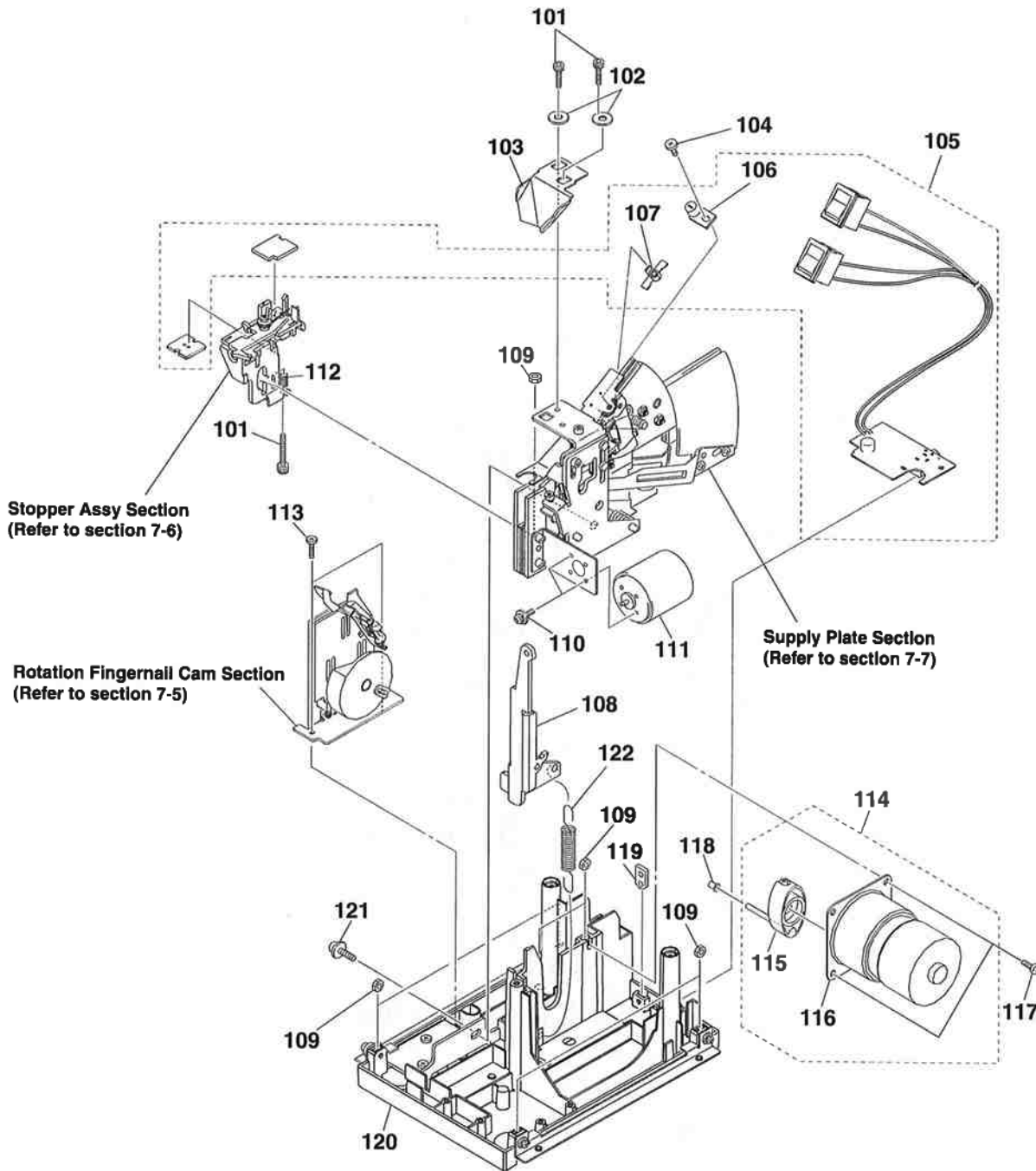
# Sony FeedKids 505 Series Parts Lists

## 7-3 Chassis Section-1 (For FK514-550 & FK514F-550F models)

No.	Part Number	Description	Qty.	Notes
51	41-A-1203-022-A	Arm Assembly, Brush Driving	1	
52	41-7-628-254-20	Screw PS 2.6x8	1	
53	41-7-682-948-01	Screw PSS 3x8	1	
54	41-3-093-203-01	Plate L	1	
55	41-2-893-067-02	Bracket, SW	1	
56	41-2-893-069-01	Plate Nut	1	
57	41-7-622-207-05	N2.6, Type 2	1	
58	41-3-093-474-11	Screw (b2.6 Type2) Tapping	1	
59	41-7-621-775-XX	Screw B2.6x5	1	
60	41-2-893-065-01	Bracket Left Cover	1	
61	41-2-893-066-01	Bracket Right Cover	1	
62	41-3-730-141-02	Screw PSW 2x4	1	
63	41-A-1226-898-A	Plate Assembly S Lock	1	
64	41-A-1203-036-A	Block PC Boards Assembly Brush	1	
65	41-A-1203-041-A	Gear Assembly Brush Driving	1	
66	41-3-093-467-01	Bolt (2.6SW w TO) Hole	1	
67	41-2-686-741-01	Brush	1	For FK-514, FK-514F, FK-517, FK-517F, FK-520 & FK-520F
	41-2-686-741-11	Brush	1	For FK-523, FK-523F, FK-526, FK-526F, FK-530 & FK-530F
	41-2-686-741-21	Brush	1	For FK-535, FK-535F, FK-540, & FK-540F
	41-2-686-741-31	Brush	1	FK-550, & FK-550F
68	41-2-686-740-01	Nut, Brush Fitting	1	
69	41-2-696-936-01	PWH 1.7x8	1	
70	41-3-095-218-01	Stocker Screw	1	
71	41-2-686-732-11	Plate Select	1	For FK-520, FK-520F, FK-523& FK-523F
	41-2-686-732-21	Plate Select	1	For FK-526 & FK-526F
	41-2-686-732-31	Plate Select	1	For FK-530 & FK-530F
	41-2-686-732-41	Plate Select	1	For FK-535, FK-535F, FK-540, & FK-540F
	41-2-686-732-51	Plate Select	1	For FK-550, & FK-550F
	41-2-686-732-61	Plate Select	1	For FK-514, FK-514F, FK-517 & FK-517F
72	41-2-686-733-01	Cover Slit	1	
73	41-2-686-735-01	Escutcheon (L)	1	For FK-514, FK-514F, FK-517 & FK-517F
	41-2-686-735-11	Escutcheon (L)	1	For FK-520 & FK-520F
	41-2-686-735-21	Escutcheon (L)	1	For FK-523& FK-523F
	41-2-686-735-31	Escutcheon (L)	1	For FK-526& FK-526F
	41-2-686-735-41	Escutcheon (L)	1	For FK-530& FK-530F
	41-2-686-735-51	Escutcheon (L)	1	For FK-535& FK-535F
	41-2-686-735-61	Escutcheon (L)	1	For FK-540& FK-540F
	41-2-686-735-71	Escutcheon (L)	1	For FK-550& FK-550F
74	41-2-686-734-01	Escutcheon (R)	1	For FK-514, FK-514F, FK-517 & FK-517F
	41-2-686-734-11	Escutcheon (R)	1	For FK-520 & FK-520F
	41-2-686-734-21	Escutcheon (R)	1	For FK-523& FK-523F
	41-2-686-734-31	Escutcheon (R)	1	For FK-526& FK-526F
	41-2-686-734-41	Escutcheon (R)	1	For FK-530& FK-530F
	41-2-686-734-51	Escutcheon (R)	1	For FK-535& FK-535F
	41-2-686-734-61	Escutcheon (R)	1	For FK-540& FK-540F
	41-2-686-734-71	Escutcheon (R)	1	For FK-550& FK-550F
75	41-2-686-736-01	Partition Case	1	
76	41-2-686-737-01	Plate Qty Adjustment	1	For FK-514, FK-514F, FK-517, FK-517F, FK-520, FK-520F FK-523, FK-523F, FK-526 & FK-526F
	41-2-686-737-11	Plate Qty Adjustment	1	For FK-530 & FK-530F, FK-535, FK-535F, FK-540, FK-540F FK-550, & FK-550F
77	41-A1203-017-A	Main Board	1	
78	41-A-1226-897-A	Plate Assembly Bottom	1	For FK-514 & FK-514F
	41-A-1229-975-A	Plate Assembly Bottom	1	For FK-517 & FK-517F
	41-A-1231-141-A	Plate Assembly Bottom	1	For FK-520 & FK-520F
	41-A-1231-542-A	Plate Assembly Bottom	1	For FK-523 & FK-523F
	41-A-1231-564-A	Plate Assembly Bottom	1	For FK-526 & FK-526F
	41-A-1231-701-A	Plate Assembly Bottom	1	For FK-530 & FK-530F
	41-A-1231-712-A	Plate Assembly Bottom	1	For FK-535 & FK-535F
	41-A-1234-335-A	Plate Assembly Bottom	1	For FK-540 & FK-540F
	41-A-1234-344-A	Plate Assembly Bottom	1	For FK-550 & FK-550F

# Sony FeedKids 505 Series Parts Lists

7-4 Chassis Section-2 (For FK514-550 & FK514F-550F models)





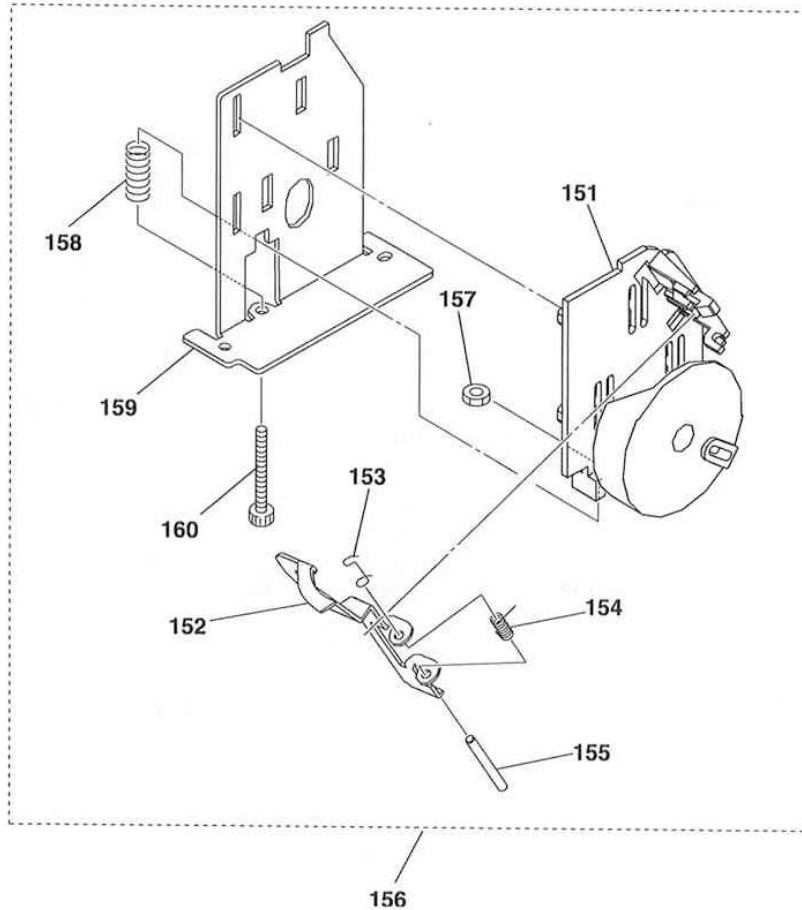
# Sony FeedKids 505 Series Parts Lists

## 7-4 Chassis Section-2 (For FK514-550 & FK514F-550F models)

No.	Part Number	Description	Qty.	Notes
101	41-2-696-934-01	Lock Hole Bolt	1	
102	41-2-686-658-01	Washer 2.7x0.8 PLain	1	
103	41-2-686-717-01	Guide	1	For FK-514, FK-514F
	41-2-686-717-11	Guide	1	For FK-517, FK-517F
	41-2-687-212-01	Guide	1	For FK-520 & FK-520F, FK-523, FK-523F, FK-530 & FK-530F FK-535, FK-535F, FK-540, & FK-540F, FK-550, & FK-550F
104	41-7-621-775-10	Screw B2.6x4	1	
105	41-A-1203-017-A	Mounted Circuit Board Main	1	
106	41-A-1203-032-A	Holder Assembly Luminous Element	1	
107	41-A-1203-033-A	Holder Assembly Catcher Element	1	
108	41-A-1203-018-A	Pushing Up Assembly		
109	41-7-622-207-05	N2.6 Type 2		
110	41-2-696-927-01	Screw Cross Hole Flange		
111	41-A-1226-895-A	Motor Assembly VIB		
112	41-2-686-671-01	Spring Compression Coil		
113	41-3-093-474-11	Screw B2.6 Type 2 Tapping		
114	41-A-1226-892-A	Motor Assembly Main		
115	41-A-1203-024-A	CAM Assembly Driving		
116	41-1-787-613-11	Motor DC		
117	41-7-628-254-20	Screw PS2.6x8		
118	41-2-686-761-01	Collar Arm Driving		
119	41-3-098-474-01	Plate Ground Fitting		
120	41-A-1203-014-A	Chassis Assembly		
121	41-7-621-759-85	Screw PSW2.6x12		
122	41-2-686-699-01	Spring Tension		

# Sony FeedKids 505 Series Parts Lists

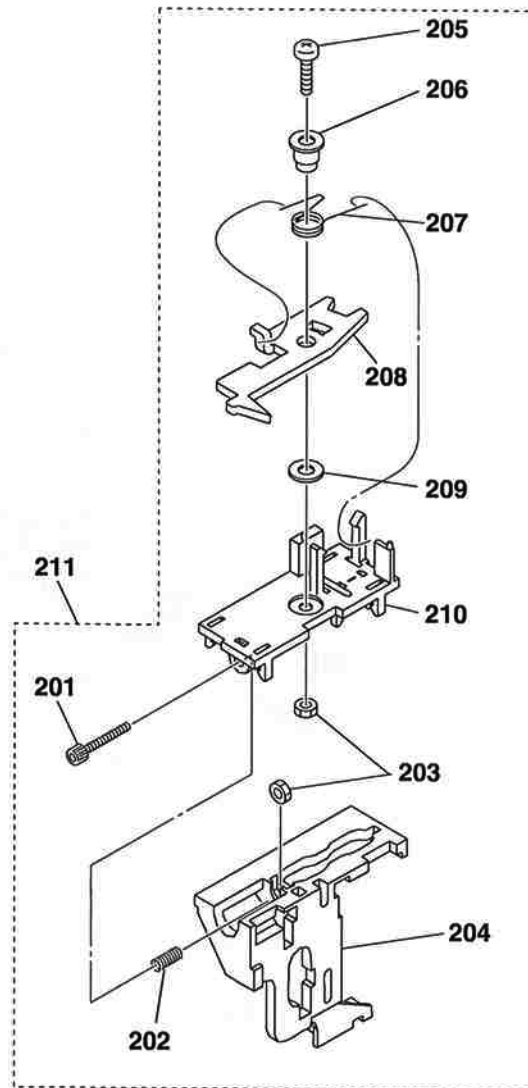
Rotation Fingernail Cam Section (For FK514-550 & FK514F-550F models)



No.	Part Number	Description	Qty.	Notes
151	41-A-1203-035-A	Cam Assembly Rotation Fingernail	1	
152	41-2-686-724-11	Claw Rotary	1	For FK-520, FK-520F, FK-523, FK-523F, FK-526 & FK-526F
	41-2-686-724-21	Claw Rotary	1	For FK-530, FK-530F, FK-535, FK-535F, FK-540 & FK-540F
	41-2-686-724-31	Claw Rotary	1	For FK-550 & FK-550F
153	41-2-686-753-01	Guard Claw Shaft	1	
154	41-2-686-726-01	Spring Rotary Claw	1	For FK-514, FK-514F, FK-520, FK-520F, FK-523, FK-523F, FK-526 & FK-526F
	41-2-686-726-11	Spring Rotary Claw	1	For FK-530, FK-530F, FK-535, FK-535F, FK-540, FK-540F, FK-550 & FK-550F
155	41-2-686-725-01	Shaft Rotary Claw	1	For FK-514, FK-514F
156	41-A-1226-896-A	Rotation Fingernail Assembly	1	For FK-517, FK-517F
	41-A-1215-341-A	Rotation Fingernail Assembly	1	For FK-520, FK-520F
	41-A-1215-376-A	Rotation Fingernail Assembly	1	For FK-523, FK-523F
	41-A-1215-396-A	Rotation Fingernail Assembly	1	For FK-526, FK-526F
	41-A-1215-776-A	Rotation Fingernail Assembly	1	For FK-530, FK-530F
	41-A-1215-795-A	Rotation Fingernail Assembly	1	For FK-535, FK-535F
	41-A-1215-904-A	Rotation Fingernail Assembly	1	For FK-540, FK-540F
	41-A-1215-916-A	Rotation Fingernail Assembly	1	For FK-540, FK-540F
	41-A-1215-972-A	Rotation Fingernail Assembly	1	For FK-550, FK-550F
157	41-7-622-207-05	N2.6 Type 2	1	
158	41-2-686-716-01	Spring (CS-2) Compression Coil	1	For FK-514, FK-514F, FK-517 & FK-517F
	41-2-686-617-01	Spring (CS-2) Compression Coil	1	For FK-520, FK-520F, FK-523, FK-523F, FK-526 & FK-526F, FK-530, FK-530F, FK-535, FK-535F, FK-540, FK-540F, FK-550 & FK-550F
159	41-2-686-730-01	Bracket Rotary Claw	1	
160	41-2-918-382-11	Bolt M2.6 Socket	1	For FK-514, FK-514F, FK-517 & FK-517F
	41-2-696-934-01	Bolt M2.6 Socket	1	For FK-520, FK-520F, FK-523, FK-523F, FK-526 & FK-526F, FK-530, FK-530F, FK-535, FK-535F, FK-540, FK-540F, FK-550 & FK-550F

# Sony FeedKids 505 Series Parts Lists

Stopper Assembly (For FK514-550 & FK514F-550F models)





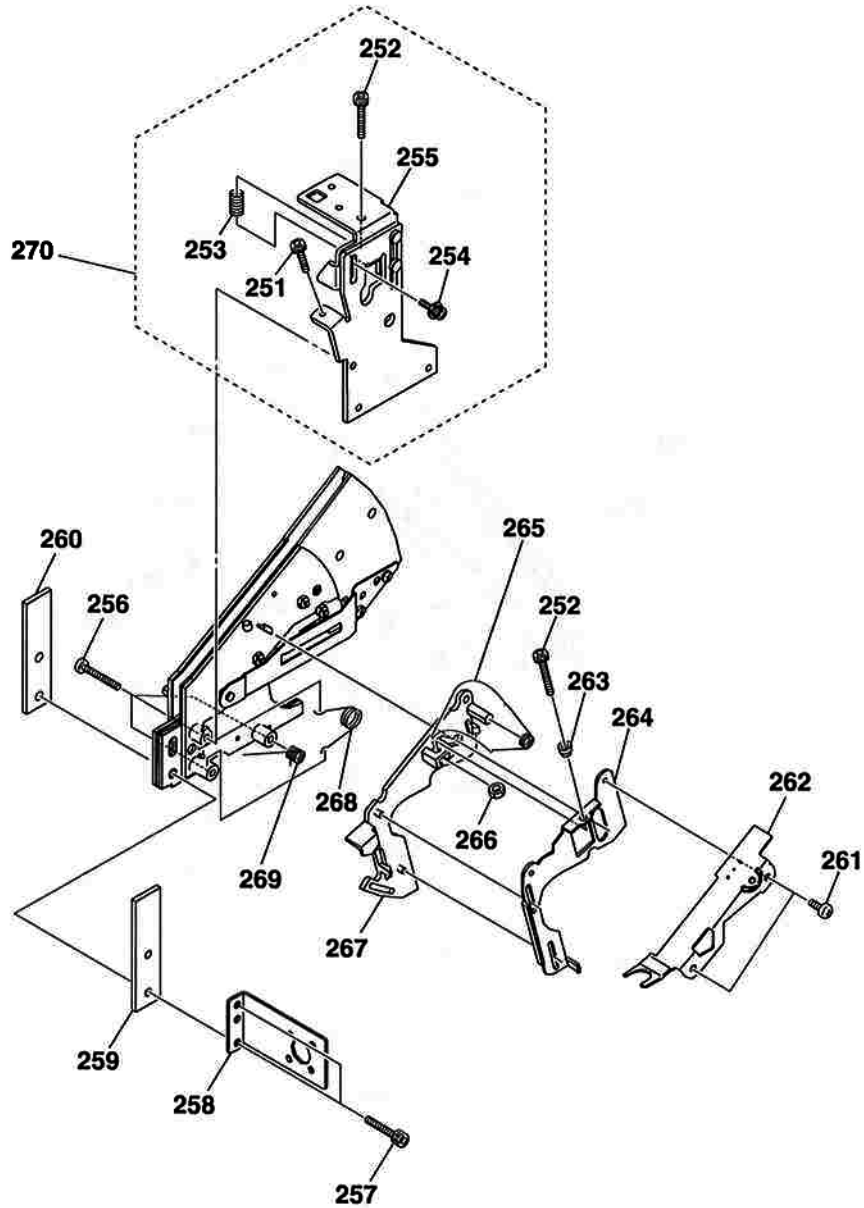
# Sony FeedKids 505 Series Parts Lists

Stopper Assembly (For FK514-550 & FK514F-550F models)

No.	Part Number	Description	Qty.	Notes
201	41-2-918-382-11	Bolt M2.6 Socket	1	
202	41-2-686-671-01	Spring Compression Coil	1	
203	41-7-622-207-05	N2.6 Type	1	
204	41-2-686-721-01	Stopper (Large)	1	
205	41-7-628-254-40	PS 2.6x12	1	
206	41-2-686-670-01	Collar Stopper	1	For FK-514, FK-514F, FK-517, FK-517F, FK-520 & FK-520F
	41-2-686-670-11	Collar Stopper	1	For FK-523, FK-523F, FK-526, FK-526F, FK-530 & FK-530F
	41-2-686-670-21	Collar Stopper	1	For FK-535, FK-535F, FK-540, FK-540F, FK-550 & FK-550F
207	41-2-686-720-01	Spring Stopper Return	1	
208	41-2-686-719-01	Stopper	1	For FK-514, FK-517 & FK-520
	41-2-686-719-11	Stopper	1	For FK-523, FK-526 & FK-530
	41-2-686-719-21	Stopper	1	For FK-535, FK-540 & FK-550
	41-2-694-461-01	Stopper	1	For FK-514F, FK-517F & FK-520F
	41-2-694-461-11	Stopper	1	For FK-523F, FK-526F & FK-530F
	41-2-694-461-21	Stopper	1	For FK-535F, FK-540F & FK-550F
209	41-7-688-002-11	W2.6 Middle	1	
210	41-2-686-718-01	Plate Stopper Adjustment	1	
211	41-A-1203-027-A	Stopper Assembly	1	For FK-514
	41-A-1215-336-A	Stopper Assembly	1	For FK-517
	41-A-1215-375-A	Stopper Assembly	1	For FK-520
	41-A-1215-388-A	Stopper Assembly	1	For FK-523
	41-A-1215-775-A	Stopper Assembly	1	For FK-526
	41-A-1215-790-A	Stopper Assembly	1	For FK-530
	41-A-1215-903-A	Stopper Assembly	1	For FK-535
	41-A-1215-915-A	Stopper Assembly	1	For FK-540
	41-A-1215-971-A	Stopper Assembly	1	For FK-550
	41-A-1248-825-A	Stopper Assembly	1	For FK-514F
	41-A-1248-826-A	Stopper Assembly	1	For FK-517F
	41-A-1248-827-A	Stopper Assembly	1	For FK-520F
	41-A-1248-828-A	Stopper Assembly	1	For FK-523F
	41-A-1248-829-A	Stopper Assembly	1	For FK-526F
	41-A-1248-830-A	Stopper Assembly	1	For FK-530F
	41-A-1248-831-A	Stopper Assembly	1	For FK-535F
	41-A-1248-832-A	Stopper Assembly	1	For FK-540F
	41-A-1248-833-A	Stopper Assembly	1	For FK-550F

# Sony FeedKids 505 Series Parts Lists

Supply Plate Section (For FK514-550 & FK514F-550F models)





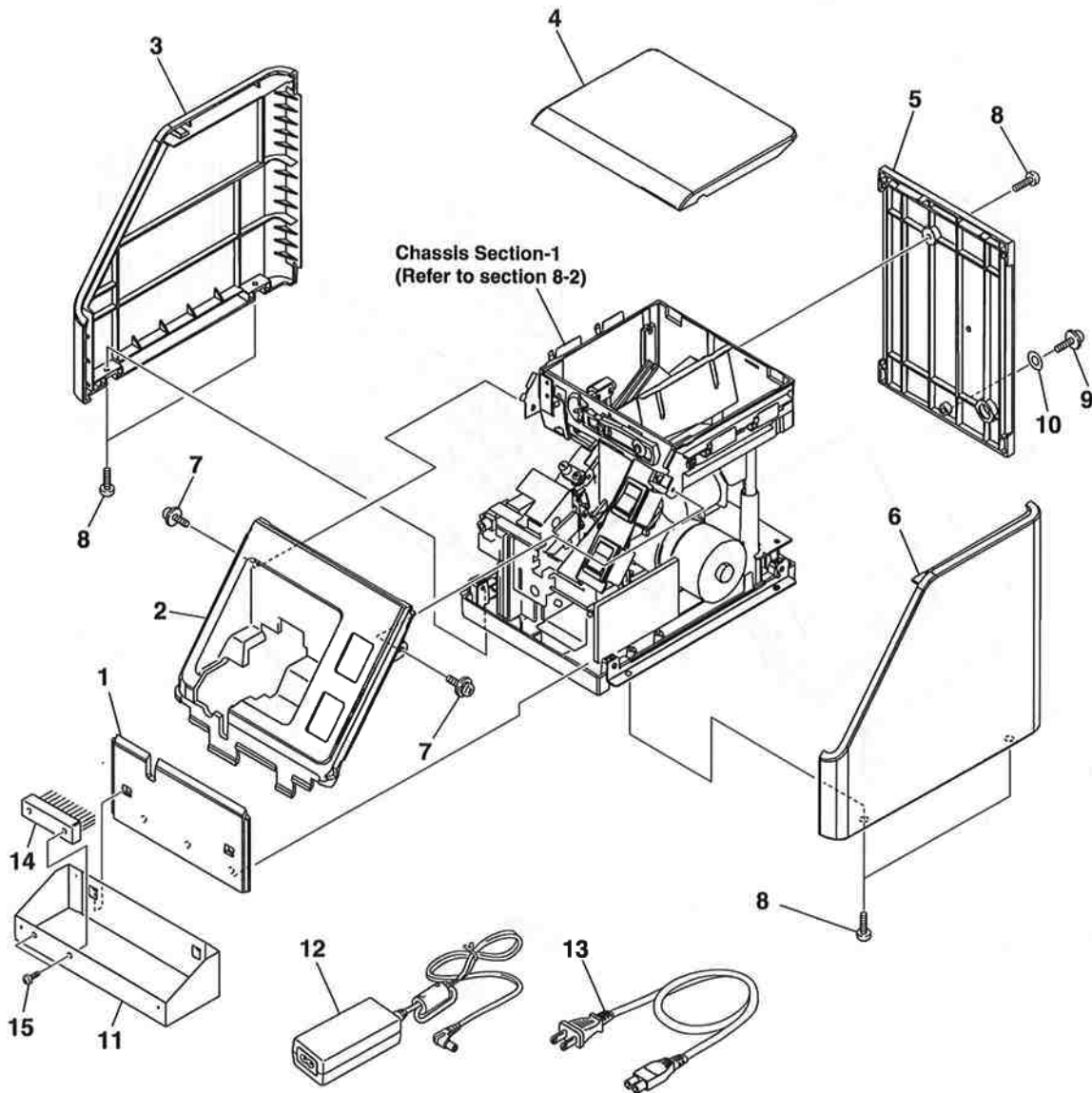
# Sony FeedKids 505 Series Parts Lists

Supply Plate Section (For FK514-550 & FK514F-550F models)

No.	Part Number	Description	Qty.	Notes
251	41-2-696-934-01	Lock Hole Bolt Interior	1	
252	41-2-696-933-01	Lock Hole Bolt Interior	1	
253	41-2-686-716-01	Spring CS02 Compression Coil	1	
254	41-2-696-929-01	Bolt Hexagon Hole	1	
255	41-X-2148-721-1	Base Assembly Guide	1	
256	41-2-698-300-01	Screw 2.6x25	1	
257	41-3-106-969-01	Bolt M2.6 Hexagon Hole	1	
258	41-2-686-672-01	Plate V Communication	1	
259	41-2-686-673-01	Plate Front Right Supply	1	For FK-514, FK-517, FK-520, FK-523, FK-526, FK-530 FK-535, FK-540 & FK-550
	41-2-694-462-01	Plate Front Right Supply	1	For FK-514F, FK-517F & FK-520F
	41-2-694-462-11	Plate Front Right Supply	1	For FK-523F, FK-526F & FK-530F
	41-2-694-462-21	Plate Front Right Supply	1	For FK-535F, FK-540F & FK-550F
260	41-2-686-674-01	Plate Front Left Supply	1	For FK-514, FK-517, FK-520, FK-523, FK-526, FK-530 FK-535, FK-540 & FK-550
	41-2-694-463-01	Plate Front Left Supply	1	For FK-514F, FK-517F & FK-520F
	41-2-694-463-11	Plate Front Left Supply	1	For FK-523F, FK-526F & FK-530F
	41-2-694-463-21	Plate Front Left Supply	1	For FK-535F, FK-540F & FK-550F
261	41-7-628-253-90	Screw PS 2.6x4	1	
262	41-2-686-708-01	Cover Slit	1	For FK-514, FK-514F
	41-2-686-708-11	Cover Slit	1	For FK-517, FK-517F
	41-2-686-708-21	Cover Slit	1	For FK-520, FK-520F
	41-2-686-708-31	Cover Slit	1	For FK-523, FK-523F
	41-2-686-708-41	Cover Slit	1	For FK-526, FK-526F
	41-2-686-708-51	Cover Slit	1	For FK-530, FK-530F
	41-2-686-708-61	Cover Slit	1	For FK-535, FK-535F
	41-2-686-708-71	Cover Slit	1	For FK-540, FK-540F
	41-2-686-708-81	Cover Slit	1	For FK-550, FK-550F
263	41-3-307-259-01	Tube Gap	1	For FK-514, FK-514F, FK-517 & FK-517F, FK-520, FK-520F, FK-523, FK-523F, FK-526, FK-526F, FK-530, FK-530F, FK-535, FK-535F, FK-540 & FK-540F
264	41-2-686-704-01	Plate Cover Adjustment		
265	41-2-686-705-01	Spring Adjustment Plate	1	
266	41-2-622-207-05	N2.6 Type 2	1	
267	41-2-686-703-01	Plate Cover Fine Tuning	1	
268	41-2-686-707-01	Spring Tuning Plate Return	1	
269	41-2-686-706-01	Spring Plate Retainer	1	
270	41-A-1203-026-A	Base Assembly Guide	1	
271	41-A-1226-894-A	Supply Plate Assembly	1	For FK-514, FK-514F
	41-A-1229-974-A	Supply Plate Assembly	1	For FK-517, FK-517F
	41-A-1231-140-A	Supply Plate Assembly	1	For FK-520, FK-520F
	41-A-1231-541-A	Supply Plate Assembly	1	For FK-523, FK-523F
	41-A-1231-563-A	Supply Plate Assembly	1	For FK-526, FK-526F
	41-A-1231-700-A	Supply Plate Assembly	1	For FK-530, FK-530F
	41-A-1231-711-A	Supply Plate Assembly	1	For FK-535, FK-535F
	41-A-1231-334-A	Supply Plate Assembly	1	For FK-540, FK-540F
	41-A-1231-343-A	Supply Plate Assembly	1	For FK-550, FK-550F

# Sony FeedKids 505 Series Parts Lists

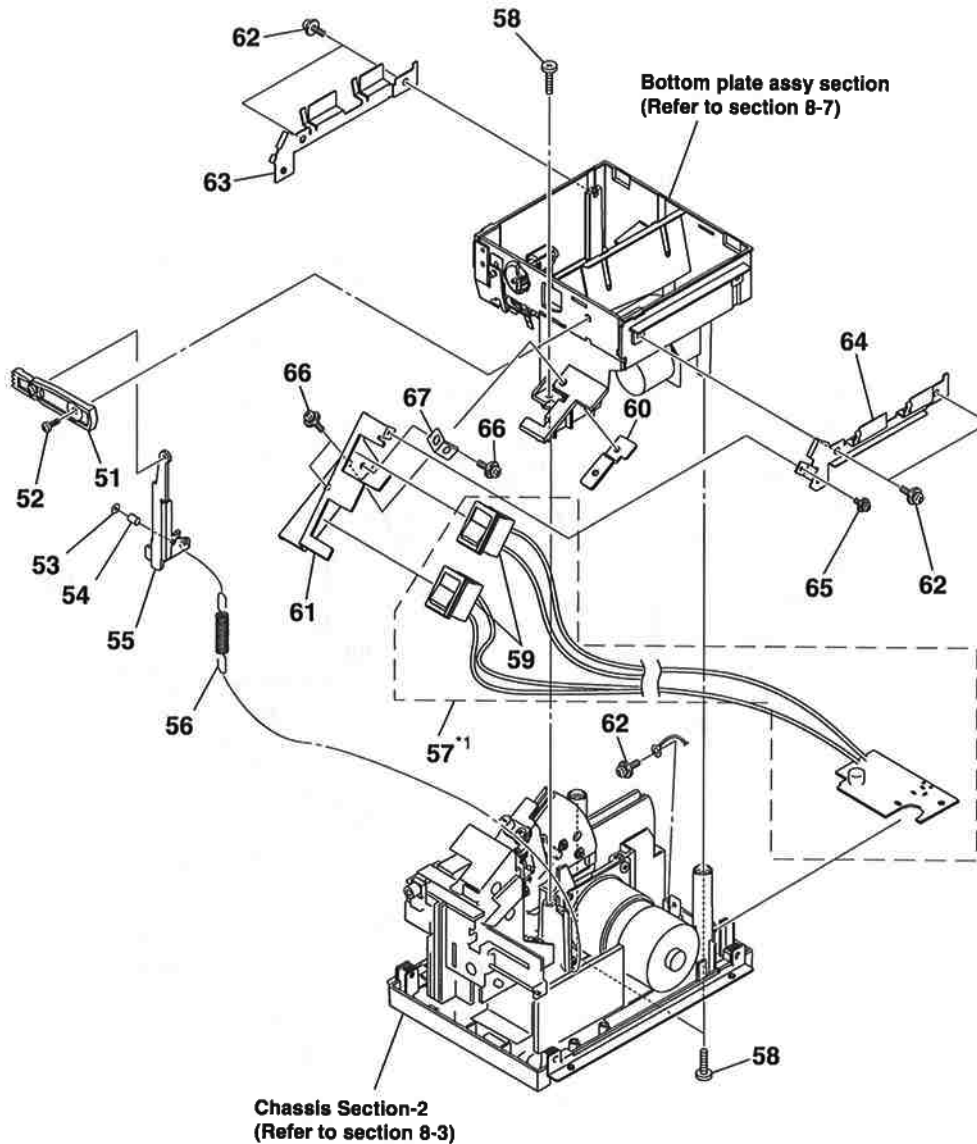
Overall (For FK514RS-550RS models)



No.	Part Number	Description	Qty.	Notes
1	41-3-093-201-01	Panel Front	1	
2	41-3-095-722-01	Panel RS Front Cover	1	
3	41-3-093-199-01	Plate Left Ornamental	1	
4	41-3-093-197-01	Lid	1	
5	41-3-093-202-01	Panel Pair	1	
6	41-3-093-198-01	Plate Right Ornamental	1	
7	41-7-621-759-45	PSW 2.6x6	1	
8	41-2-696-935-11	T2.6x8	1	
9	41-7-621-759-85	PSW 2.6x12	1	
10	41-2-686-658-01	Washer 2.7x0.8 Plain	1	
11	41-A-1203-023-A	Retainer Assembly Screw	1	
12	41-A-468-626-65	Adaptor AC	1	
13	41-1-757-562-61	Power Cord USA	1	
	41-1-575-131-82	Power Cord Europe	1	
14	41-2-686-659-01	Brush Screw Retainer	1	
15	41-3-252-825-01	P1.7x6	1	

# Sony FeedKids 505 Series Parts Lists

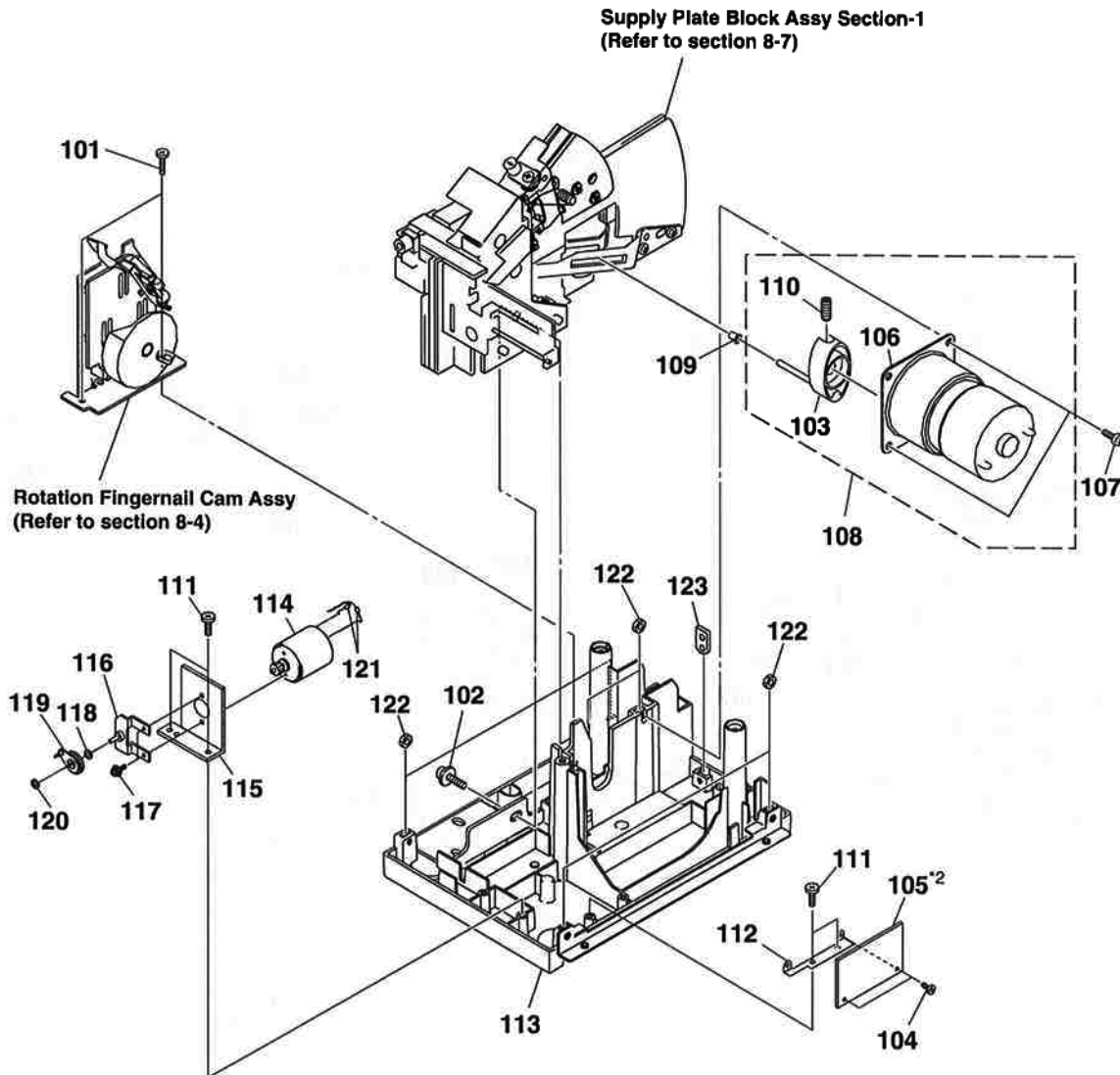
Chassis Section 1 (For FK514RS-550RS models)



No.	Part Number	Description	Qty.	Notes
51	41-A-1203-022-A	Arm Assembly Brush Driving	1	
52	41-7-628-254-15	PS 2.6x6	1	
53	41-3-321-813-01	Washer Cotter Polyethylene	1	
54	41-2-686-698-01	Metal (A) Shaft Retainer	1	
55	41-X-2148-722-1	Plate Assembly Lift	1	
56	41-2-686-699-01	Spring Tension	1	
57	41-A-1203-029-A	Mounted Circuit Board Main	1	
58	41-3-093-474-11	BTP 2.5x10	1	
59	41-1-762-876-11	Switch AC Power	1	
60	41-2-893-069-01	Plate Nut	1	
61	41-2-893-067-02	Bracket SW	1	
62	41-7-621-759-45	PSW 2.6x6	1	
63	41-2-893-065-01	Bracket (Left) Cover	1	
64	41-2-893-066-01	Bracket (Right) Cover	1	
65	41-3-730-141-01	PSW 2x4	1	
66	41-7-682-948-01	PSW 3x8	1	
67	41-3-093-203-01	Plate L	1	

# Sony FeedKids 505 Series Parts Lists

Chassis Section 2 (For FK514RS-550RS models)



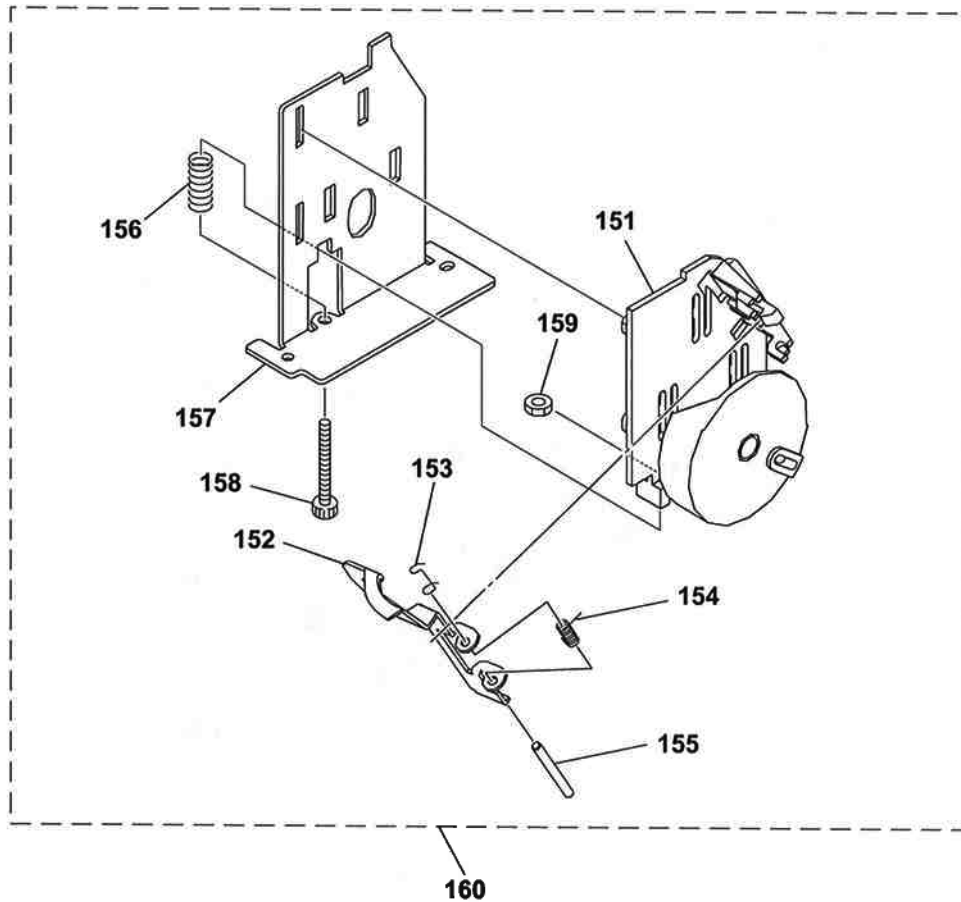
# Sony FeedKids 505 Series Parts Lists

## Chasis Section 2 (For FK514RS-550RS models)

No.	Part Number	Description	Qty.	Notes
101	41-3-093-474-11	BTP 2.5x10	1	
102	41-7-621-759-35	PSW 2.6x5	1	
103	41-A-1203-024-A	Cam Assembly Driving	1	
104	41-7-621-775-10	B 2.6x4	1	
105	41-A1249-445-A	RS PC Board Assembly	1	
106	41-1-787-613-11	Motor DC	1	
107	41-7-628-254-40	PS 2.6x12	1	
108	41-A-1226-892-A	Motor Assembly Main	1	
109	41-2-686-764-01	Collar Arm Driving	1	
110	41-7-683-249-31	SC 4x10 Hexagon Socket	1	
111	41-7-685-134-19	Screw BTP 2.6x8 Type 2 Slit	1	
112	41-2-694-478-02	Bracket P PLate Fitting	1	
113	41-A-1203-014-A	Chassis Assembly	1	
114	41-787-639-11	Motor DC (RS)	1	
115	41-2-694-467-01	Bracket VM	1	
116	41-X-2148-865-1	Bracket Assembly Gear	1	
117	41-3-669-607-61	Screw PSW2.6x5	1	
118	41-3-701-438-21	Washer (2.5) Poly	1	
119	41-A-1249-095-A	Gear Assembly RS	1	
120	41-7-624-104-04	Stop Ring 2.0 Type-E	1	
121	41-1-127-888-31	Cap Ceramic 0.1MF B	1	
122	41-7-622-207-05	N2.6 Type 2	1	
123	41-3-098-474-01	PLate Ground Fitting	1	

# Sony FeedKids 505 Series Parts Lists

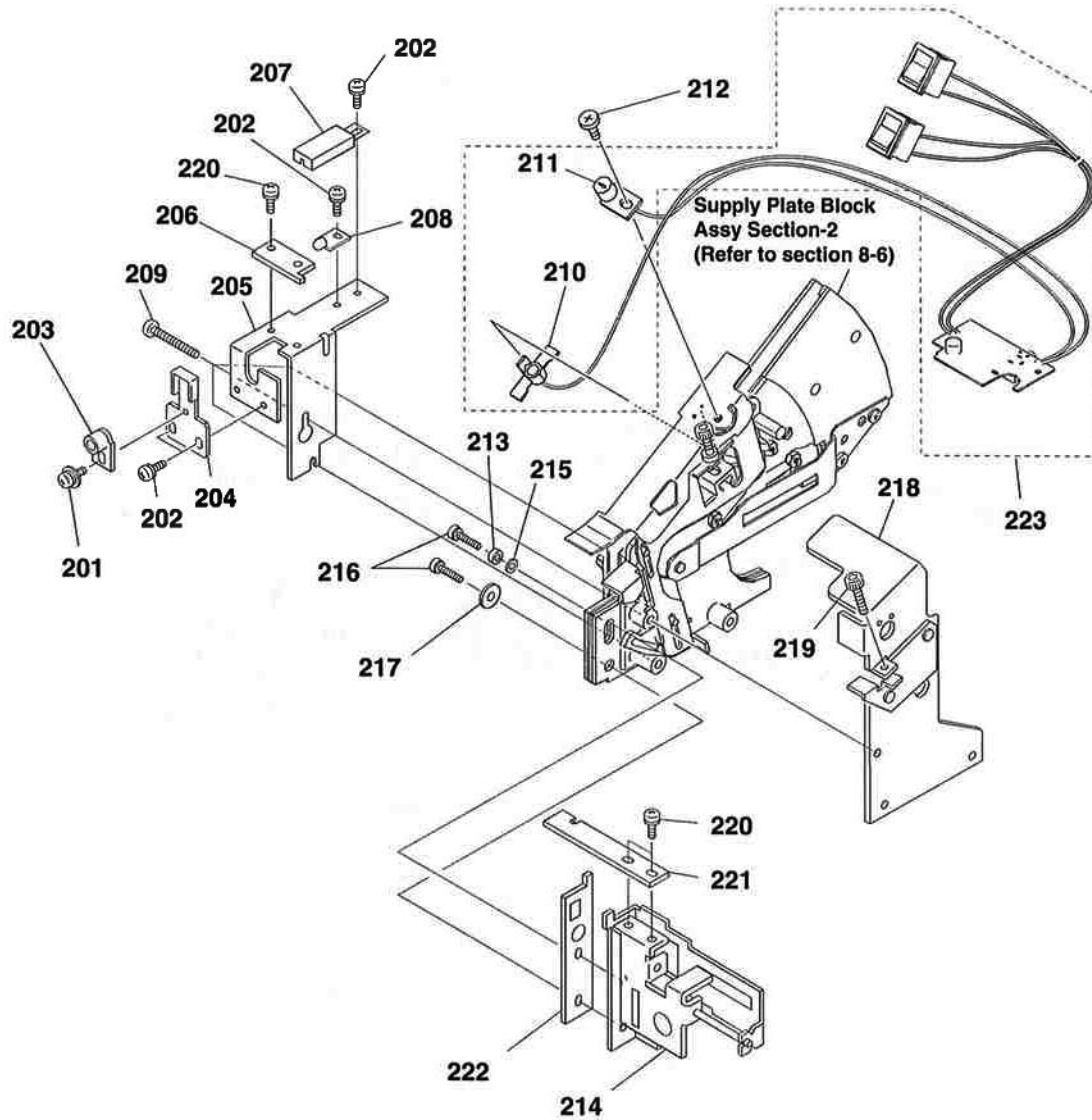
Rotation Fingernail Cam Assembly Section (For FK514RS-550RS models)



No.	Part Number	Description	Qty.	Notes
151	41-A-1203-035-A	Cam Assembly Rotation Fingernail	1	
152	41-2-686-724-01	Claw Rotary	1	For FK-514RS & FK-517RS
	41-2-686-724-11	Claw Rotary	1	For FK-520RS, FK-523RS & FK-526RS
	41-2-686-724-21	Claw Rotary	1	For FK-530RS, FK-535RS & FK-540RS
	41-2-686-724-31	Claw Rotary	1	For FK-550RS
153	41-2-686-753-01	Guard Claw Shaft	1	
154	41-2-686-726-01	Spring Rotary Claw	1	
155	41-2-686-725-01	Shaft Rotary Claw	1	
156	41-2-686-716-01	Spring (CS-2) Compression Coil	1	For FK-514RS, FK-517RS
	41-2-686-671-01	Spring (CS-2) Compression Coil	1	For FK-520RS, FK-523RS, FK-526RS, FK-530RS, FK-535RS, FK-540RS & FK-550RS
157	41-2-686-727-01	PC Board Rotary Claw	1	
158	41-2-918-382-11	Bolt (M2.6 (SUS) Socket	1	For FK-514RS & FK-517RS
	41-2-696-934-01	Lock Hole Bolt (Interior)	1	For FK-520RS, FK-523RS, FK-526RS, FK-530RS, FK-535RS, FK-540RS & FK-550RS
159	41-7-622-207-05	N2.6 Type 2	1	
160	41-A-1226-896-A	514 Assy Rotation Fingernail	1	FK-514RS
	41-A-1215-341-A	517 Assy Rotation Fingernail	1	FK-517RS
	41-A-1215-376-A	520 Assy Rotation Fingernail	1	FK-520RS
	41-A-1215-396-A	523 Assy Rotation Fingernail	1	FK-523RS
	41-A-1215-776-A	526 Assy Rotation Fingernail	1	FK-526RS
	41-A-1215-795-A	530 Assy Rotation Fingernail	1	FK-530RS
	41-A-1215-904-A	535 Assy Rotation Fingernail	1	FK-535RS
	41-A-1215-916-A	540 Assy Rotation Fingernail	1	FK-540RS
	41-A-1215-972-A	550 Assy Rotation Fingernail	1	FK-550RS

# Sony FeedKids 505 Series Parts Lists

Supply Plate Block Assembly Section-1 (For FK514RS-550RS models)





# Sony FeedKids 505 Series Parts Lists

## Supply Plate Block Assembly Section-1 (For FK514RS-550RS models)

No.	Part Number	Description	Qty.	Notes
201	41-7-621-759-30	PSW 2.6x5	1	
202	41-2-640-315-01	Screw M2x5	1	
203	41-A-1249-098-A	Sensor Assembly Screw Lumious	1	
204	41-2-694-477-01	Cover Sensor	1	
205	41-2-694-487-01	Bracket Sensor	1	
206	41-2-694-480-01	Guide Separator	1	For FK-514RS, FK-517RS, FK-520RS, FK-523RS & FK-526RS
	41-2-694-480-11	Guide Separator	1	For FK-530RS, FK-535RS, FK-540RS & FK-550RS
207	41-2-694-468-01	Lamp Cover	1	
208	41-A-1249-099-A	Sensor Assy. Screw Ray Catcher	1	
209	41-2-698-300-01	Screw 2.6x25	1	
210	41-2-686-722-01	Holder Luminous Element	1	
211	41-2-686-723-01	Holder Ray Catcher Element	1	
212	41-7-621-775-10	B 2.6x4	1	
213	41-3-113-313-01	Spacer 2.7 US	1	For FK-514RS, FK-517RS, FK-520RS
	41-3-113-313-11	Spacer 2.7 US	1	For FK-523RS, FK-526RS, FK-530RS, FK-535RS, FK-540RS & FK-550RS
214	41-A-1249-096-A	Plate Assembly Fitting	1	
215	41-7-688-002-11	Washer 2.6 Middle	1	
216	41-2-696-932-01	Bolt 2.6x12 Hexagon	1	
217	41-2-686-658-01	Washer 2.7x0.8 Plain	1	
218	41-X-2148-864-1	Base Assembly Guide (RS models)	1	
219	41-2-696-933-01	Lock Hole Bolt (Interior)	1	
220	41-3-669-607-02	Screw PSW 2.6x5	1	
221	41-2-694-481-01	Separator	1	For FK-514RS
	41-2-694-481-21	Separator	1	For FK-517RS
	41-2-694-481-31	Separator	1	For FK-520RS
	41-2-694-481-41	Separator	1	For FK-523RS
	41-2-694-481-51	Separator	1	For FK-526RS
	41-2-694-481-61	Separator	1	For FK-530RS
	41-2-694-481-71	Separator	1	For FK-535RS
	41-2-694-481-81	Separator	1	For FK-540RS
	41-2-694-481-09	Separator	1	For FK-550RS
222	41-2-694-476-01	Plate Front Right (RS models)	1	
223	41-A-1203-029-A	Mounted Circuit Board (Main)	1	