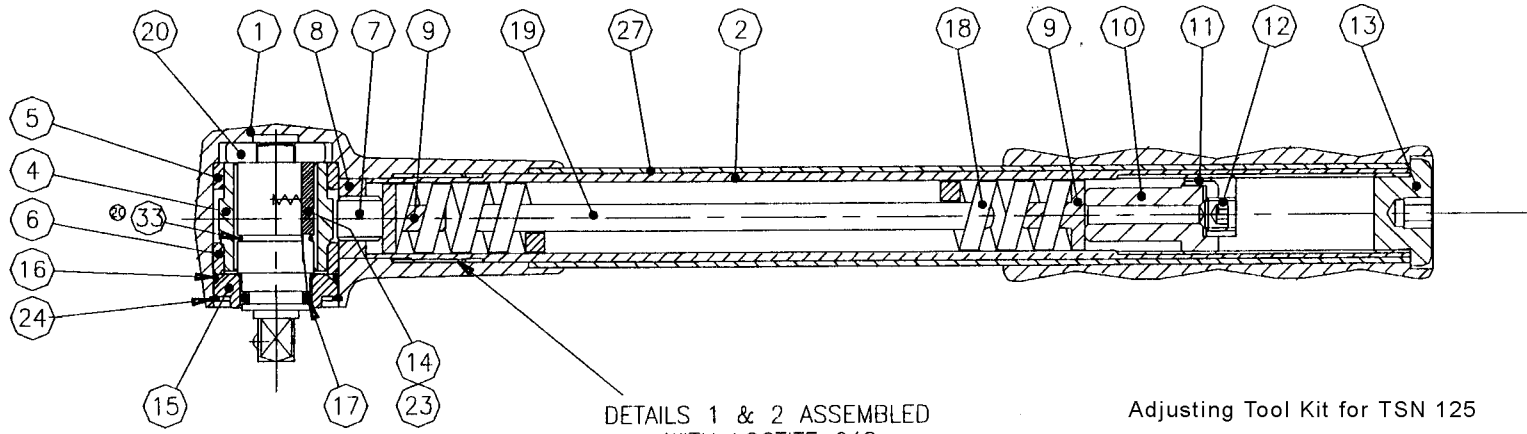


TSN 25D (w/Adjusting Key Tool Kit)

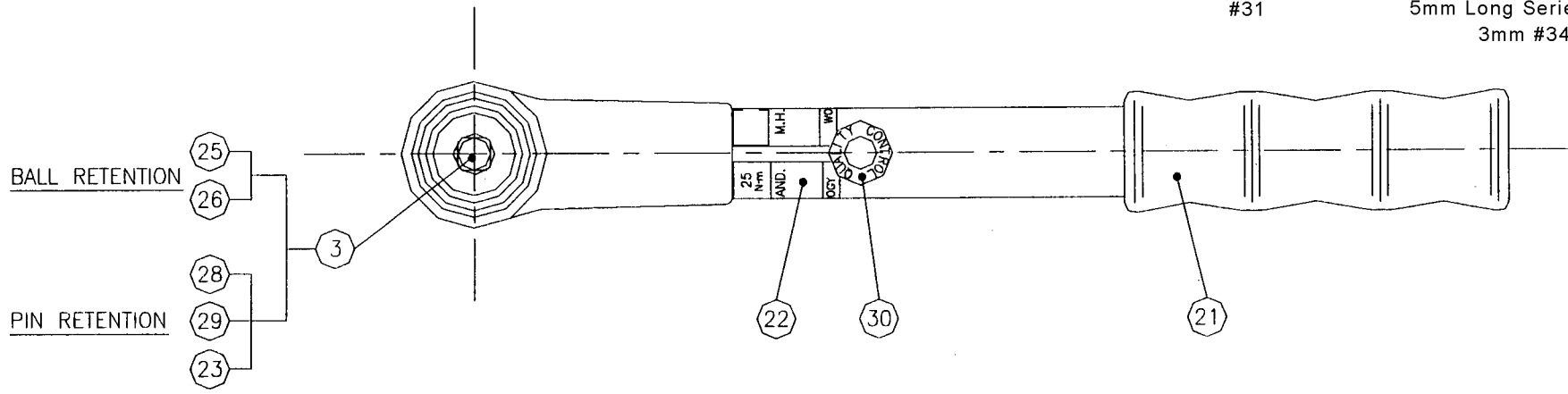


DETAILS 1 & 2 ASSEMBLED
WITH LOCTITE 648

Adjusting Tool Kit for TSN 125



Adjusting Key #31 Hex Keys
5mm Long Series #32
3mm #34



1. Assembly procedure detail 1 & 2. Assemble Bush (Rear) into head. Insert roller guide into head and loctite handle in place. Clean off excess loctite.
2. Residual Torque from top CAM form to rest position shall not exceed 1.5 N.m. Torque required to turn spindle ratchet mechanism within CAM I/D shall not exceed 50.0 cN.m.

TSN 25D (w/Adjusting Key Tool Kit)

Ref#	Part#	Qty	Description	Ref#	Part#	Qty	Description
1	20-C59950	1	Head TSN25D	19	20-A61710	1	Stop Pin
2	20-B97820	1	Handle	20	20-A73201	1	Thrust Bearing
3	20-C11101	1	Spindle – R.H. (Ball Retention)	21	20-A74752	1	Hand Grip
	20-C11102	1	Spindle – R.H. (Pin Retention)	22	-	1	Label
	20-C11111	1	Spindle – L.H. (Ball Retention)	23	20-A59850	5	Spring
	20-C11112	1	Spindle – L.H. (Pin Retention)	24	20-P10090	1	Retaining Ring
4	20-B86060	1	CAM – 5 Lobe (R.H.)	25	20-A73670	1	Spring (Ball Retention model)
	20-B87020	1	CAM – 5 Lobe (L.H.)	26	20-P15020	1	Steel Ball 3mm (Ball Retention model)
5	20-A59990	1	Bush - Rear	27	20-P10210	1	Polyshrink Sleeving - Red
6	20-A60000	1	Bush - Front		20-P10410	1	Polyshrink Sleeving - Yellow (LH model)
7	20-A32800	1	Roller	28	20-A64620	1	Retention Pin (Pin Retention model)
8	20-A60010	1	Roller Guide	29	20-A59870	1	Spring Cup (Pin Retention model)
9	20-A60020	2	Roller Thrust Pad	30	20-A67691	1	Quality Label
10	20-A98070	1	Adjusting Screw	31	20-A98040	1	Adjusting Key
11	20-A98030	1	Lock	32	20-P22290	1	Hey Key Long Series 5mm
12	20-P22240	1	SKT S/Screw M6x6	33	20-A11160	1	Snap Ring
13	20-A91870	1	End Cap	34	20-P13780	1	3mm Hex Key
14	20-A62170	2	Pawl				
15	20-A11120	1	Seal Spacer				
16	20-P10130	1	O-Ring				
17	20-P19060	1	O-Ring				
18	20-A60320	1	Main Spring				