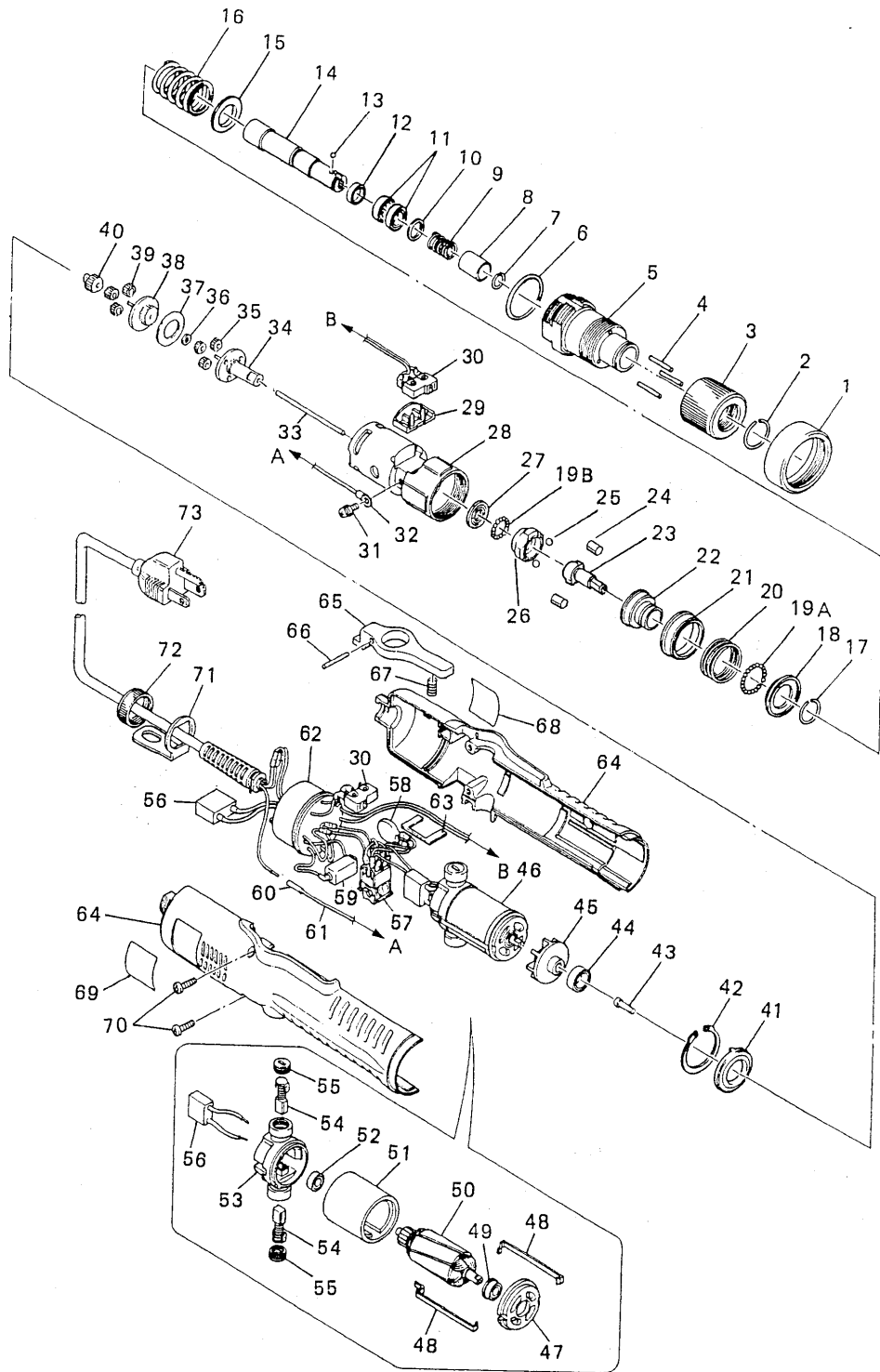


VZ4506

Rev 1.1





VZ4506

Ref#	Part Name	Part#	Ref#	Part Name	Part#
1	Front Ring	41-VZ18-001U	39	Planet Gear 21/1 (4.2) (x3)	41-VZ3007-0370
2	Nut Stopper Ring	41-VZ18-0020	40	Pinion Gear 10.8/1	41-VZ3007-0410
3	Torque Adjusting Nut	41-VZ18-0030	41	Grease Seal	41-VZ18-0660
4	Knotting Roller (x3)	41-DL20-0140	42	OV-Ring	41-VZ18-0350
5	Torque Adjusting Bolt	41-VZ18-3050	43	Joint Pin	41-VZ18-0700U
6	O-Ring	41-M3-0260	44	Bearing for Fan (includes #45)	-----
7	Collar Stopper 6.35 Hex.	41-VZ18X-0070	45	Fan	41-VZ18-3380
8	Joint Shaft Collar 6.35 Hex.	41-VZ18X-0080	46	Motor Assembly (120V)	41-VZ18-0390U
9	Collar Spring	41-CL65-0130	47	Front Cover	41-VZ18-0420U
10	Stopper Washer	41-VZ18X-0130	48	Motor Set Band (x2)	41-VZ18-0410
11	Bearing 15x10x4 (x2)	-----	49	Ball Bearing	41-VZ18-0430
12	Joint Shaft Stopper	41-VZ18-0140	50	Rotor	41-VZ18-0440U
13	Steel Ball 2.0 (x2)	41-Ball-02	51	Magnet Case	-----
14	Joint Shaft Hex	41-VZ18X-0120	52	Ball Bearing	41-CL65-0410
15	Spring Holder	41-VZ18-0150	53	End Cover	41-VZ18-0470
16	Torque Adjusting Spring	41-VZ40-0160	54	Carbon Brush (x2)	41-VZ18-0480
	Clutch Panel Set (17-19A, 20-22)		55	Carbon Brush Cap (x2)	41-VZ18-0490
17	Thrust Washer Set Ring	41-VZ18-0170		Circuit Assembly (30 (x2)), (56 (x1)-59, 62)	41-VZ18-3550U
18	Thrust Washer	41-VZ18-0180	56	Condenser (x2)	41-VZ18-0510U
19A	Steel Ball 2.5o (x22)	41-Ball-025		For/Rev Switch Assembly (57,58)	41-VZ18-3520U
19B	Steel Ball 2.5o (x15)	41-Ball-025	57	For/Rev Switch	-----
20	Clutch Panel Spring	41-VZ30-0200	58	Noise Filter (Surge Absorber)	-----
21	Clutch Panel Cover	41-VZ18-0210	59	Resistor	41-VZ18-0540
22	Clutch Panel	41-VZ45-0220	60	Sleeve (includes #73)	-----
23	Cam	41-VZ40-0240	61	Earth Cord. (includes #73)	-----
24	Cam Roller 4.5x4.5 (x2)	41-VZ40-0250	62	P.C.B. Assembly	-----
25	Steel Ball 4.5o (x2)	41-Ball-045	63	Switch Plate	41-VZ18-0740U
26	Ball Guide	41-VZ18-0260	64	Body Case A & B	41-VZ18-0560U
27	Thrust	41-VZ18-0270	65	Switch Lever	41-VZ18-0570U
28	Gear Case	41-VZ40-0280	66	Switch Lever Shaft	41-VZ18-0580
29	Switch Protector	41-VZ18-0290	67	Switch Lever Spring	41-VZ18-0590
30	Limit Switch (x2)	41-VZ18-0300U	68	Name Plate A (Caution Seal)	41-VZ4506-0600U
31	Ground Connector Set Screw 3x6	41-SPW30X060	69	Name Plate B (Model No. Seal)	-----
32	Ground Connector (includes #73)	-----	70	Body Case Set Screw 3x12 (x2)	41-STP30X120
33	Center Pin 2x71.9 (Push Rod B)	41-VZ18-0690	71	Hanger	41-CL65-0651
34	Lower Planet Cage	41-VZ4506-0360	72	End Ring	41-VZ18-0640U
35	Planet Gear 21/1 5.2	41-VZ44506-0370	73	Cord Assembly (32, 60, 61)	41-VZ18-3650U
36	Thrust Washer	41-CL4-0290			
37	Plate B	41-VZ30-0390			
38	Upper Planet Cage	41-VZ4506-0400			