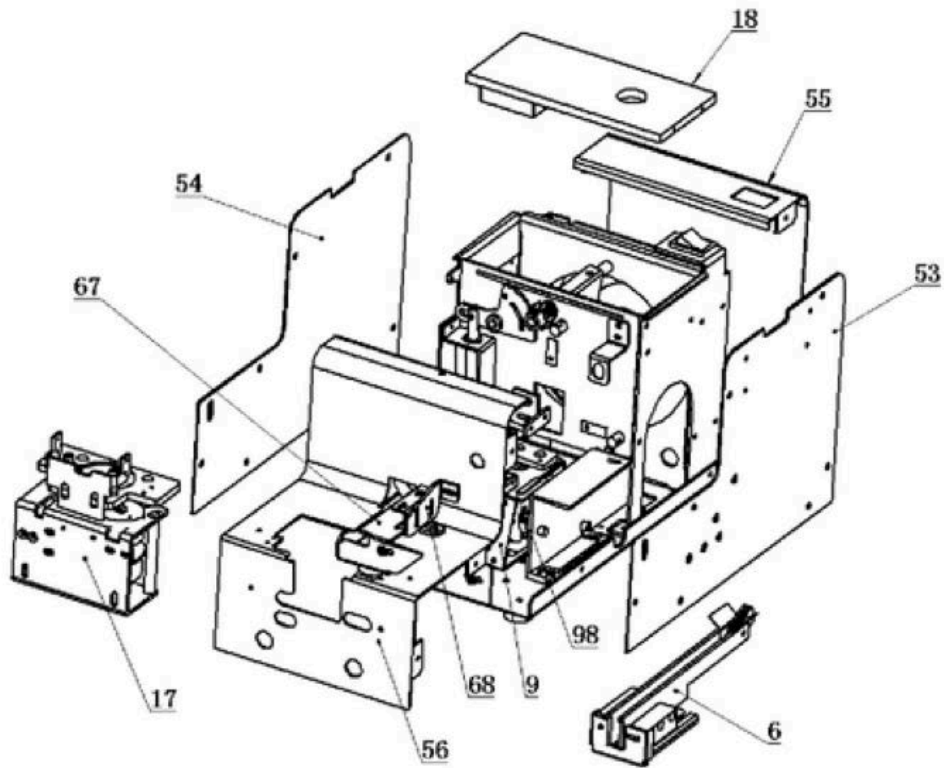
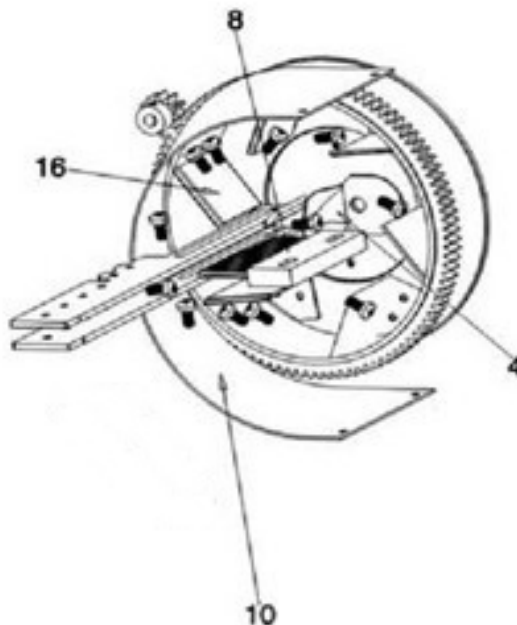


## MSP-Series Automation Screw Presenters Parts Lists

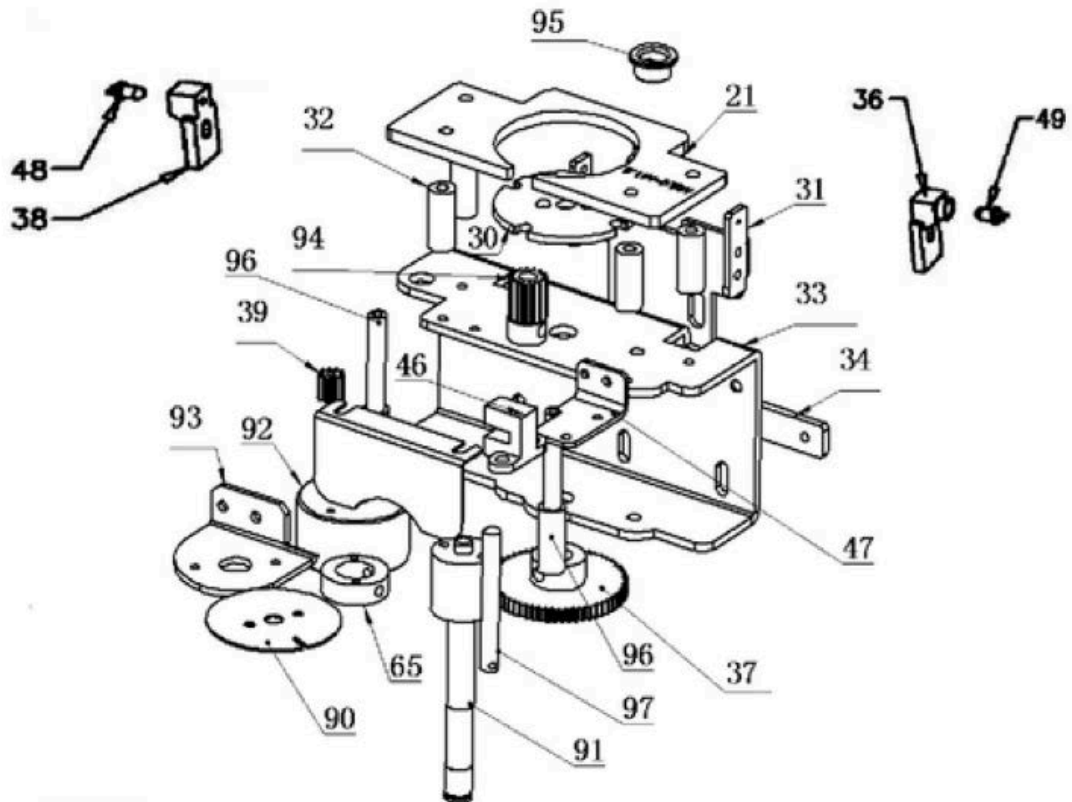
### Basic Frame



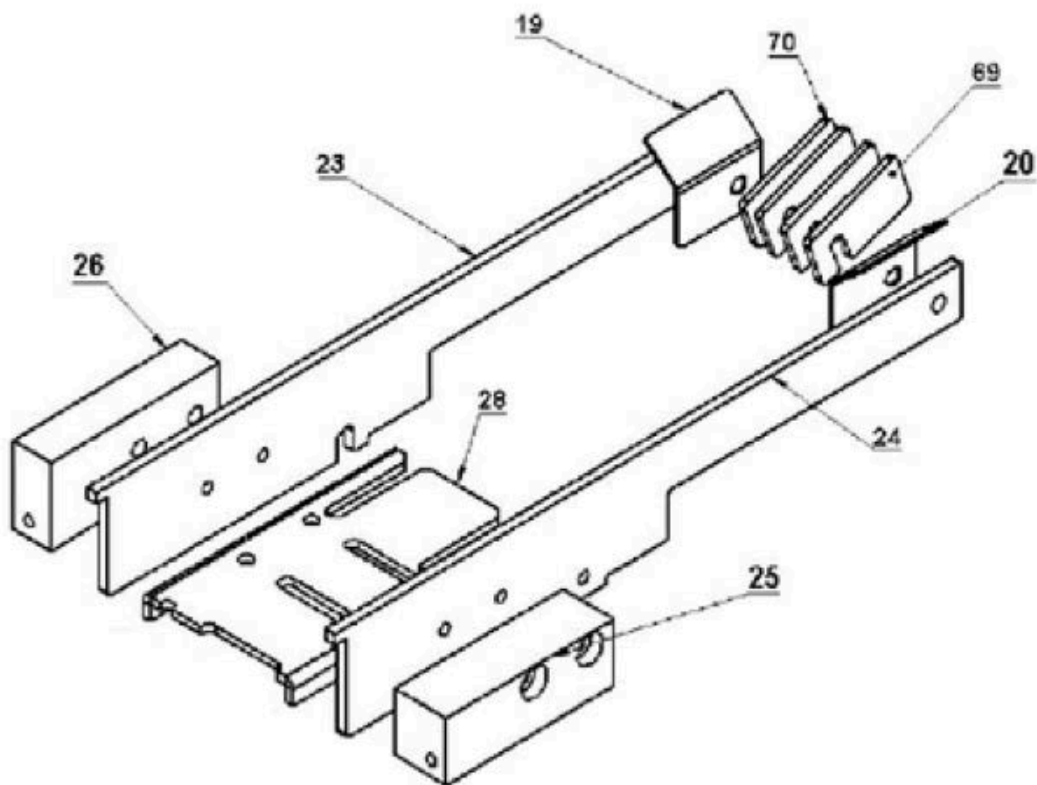
### Feeding Part



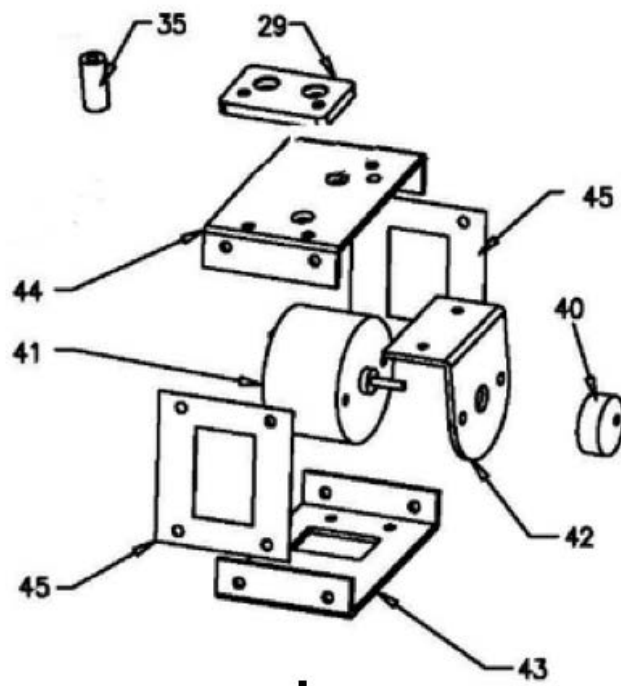
## Guide Part



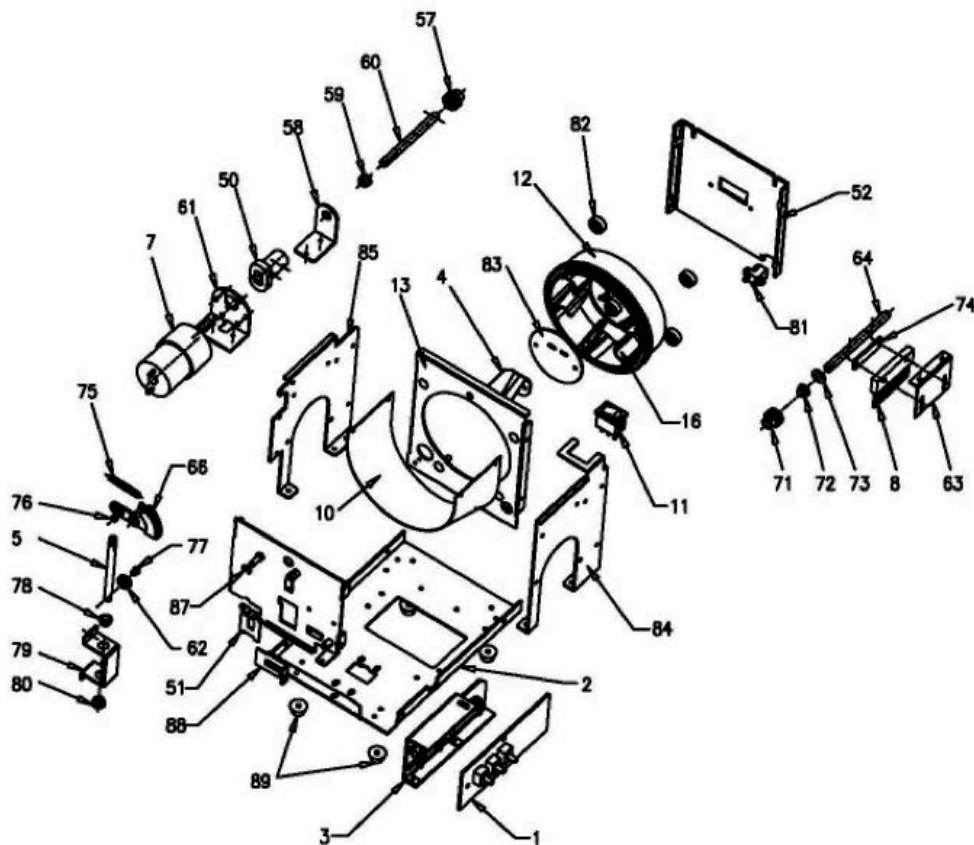
## Screw Rail



## Vibrating Part



## Internal Structure



No.	Part	Quantity	Item #
1	Circuit board	1	41-MKS-0801
2	Bottom board	1	41-MKS-0802
3	Circuit board holder	1	41-MKS-0803
4	Transition plate	1	41-MKS-0804
5	Brush lifter	1	41-MKS-0805
6	Screw rail	1	41-MKS-0806
7	Gear motor	1	41-MKS-0807
8	Brush	1	41-MKS-0808
9	Feeder	1	41-MKS-0809
10	Container	1	41-MKS-0810
11	Power switch	1	41-MKS-0811
12	Gear wheel	1	41-MKS-0812
13	Middle board	1	41-MKS-0813
16	Screw lifter	6	41-MKS-0816
17	Transition group	1	41-MKS-0817
18	Cover board	1	41-MKS-0818
19	Left rail V-funnel	1	41-MKS-0819
20	Right rail V-funnel	1	41-MKS-0820
21	Upper plate	1	41-MKS-0821
22	Screw rail holder	1	41-MKS-0822
23	Left screw rail	1	41-MKS-0823
24	Right screw rail	1	41-MKS-0824
25	Guide left fixed block	1	41-MKS-0825
26	Guide right fixed block	1	41-MKS-0826
27	Raill board	1	41-MKS-0827
28	Screw rail frame	1	41-MKS-0828
29	Guide block	1	41-MKS-0829
30	Turntable	1	41-MKS-0830
31	Sensor holder	1	41-MKS-0831
32	High colum	4	41-MKS-0832
33	Big frame	1	41-MKS-0833
34	Locking Plate	1	41-MKS-0834
35	Locking Screw	1	41-MKS-0835
36	Right sensor frame holder	1	41-MKS-0836
37	Big gear wheel	1	41-MKS-0837
38	Left sensor frame holder	1	41-MKS-0838
39	Gear	1	41-MKS-0839
40	Eccentric wheel	1	41-MKS-0840
41	Vibration motor	1	41-MKS-0841
42	Vibration motor holder	1	41-MKS-0842
43	Upper connector of feeder	1	41-MKS-0843
44	Bottom connector of feeder	1	41-MKS-0844
45	Spring leaf	2	41-MKS-0845
46	Photoelectric sensor	1	41-MKS-0846
47	Photoelectric sensor holder	1	41-MKS-0847
48	Left sensor	1	41-MKS-0848
49	Right sensor	1	41-MKS-0849
50	Cam	1	41-MKS-0850

No.	Part	Quantity	Item #
51	Screw block plate	1	41-MKS-0851
52	Rear board	1	41-MKS-0852
53	Right cover	1	41-MKS-0853
54	Left cover	1	41-MKS-0854
55	Rear cover	1	41-MKS-0855
56	Front cover	1	41-MKS-0856
57	Lift gear	1	41-MKS-0857
58	Axis holder	1	41-MKS-0858
59	Nylon tube	1	41-MKS-0859
60	Axis	1	41-MKS-0860
61	Motor holder	1	41-MKS-0861
62	The push rod bearing	1	41-MKS-0862
63	Brush holder	1	41-MKS-0863
64	Brush oscillating rod	1	41-MKS-0864
65	A Fixed set of gear	1	41-MKS-0865
66	Sector gear	1	41-MKS-0866
67	Press plate	1	41-MKS-0867
68	Clamp holder	1	41-MKS-0868
69	Tabs 1.2mm	5	41-MKS-0869
70	Tabs 0.2mm	5	41-MKS-0870
71	Little Gear	1	41-MKS-0871
72	Nylon tube	1	41-MKS-0872
73	Washer	1	41-MKS-0873
74	Brush Connecting piece	1	41-MKS-0874
75	Extension Spring	1	41-MKS-0875
76	Sector gear tube	1	41-MKS-0876
77	Brush lifter tube	1	41-MKS-0877
78	Upper nylon tube	1	41-MKS-0878
79	Brush lifter holder	1	41-MKS-0879
80	Bottom nylon tube	1	41-MKS-0880
81	DC socket	1	41-MKS-0881
82	Medium plate bearing	4	41-MKS-0882
83	Wheel location plate	1	41-MKS-0883
84	Right board	1	41-MKS-0884
85	Left board	1	41-MKS-0885
86	Front board	1	41-MKS-0886
87	Circlip	1	41-MKS-0887
88	Screw block plate	1	41-MKS-0888
89	Rubber foot	4	41-MKS-0889
90	Wheel positioning plate	1	41-MKS-0890
91	The big gear shaft	1	41-MKS-0891
92	Stepping motor	1	41-MKS-0892
93	Stepping motor holder	1	41-MKS-0893
94	Gear collar	1	41-MKS-0894
95	Sliding bearing	2	41-MKS-0895
96	Shore	2	41-MKS-0896
97	Position gear shaft	1	41-MKS-0897
98	The sensor Cover	2	41-MKS-0898