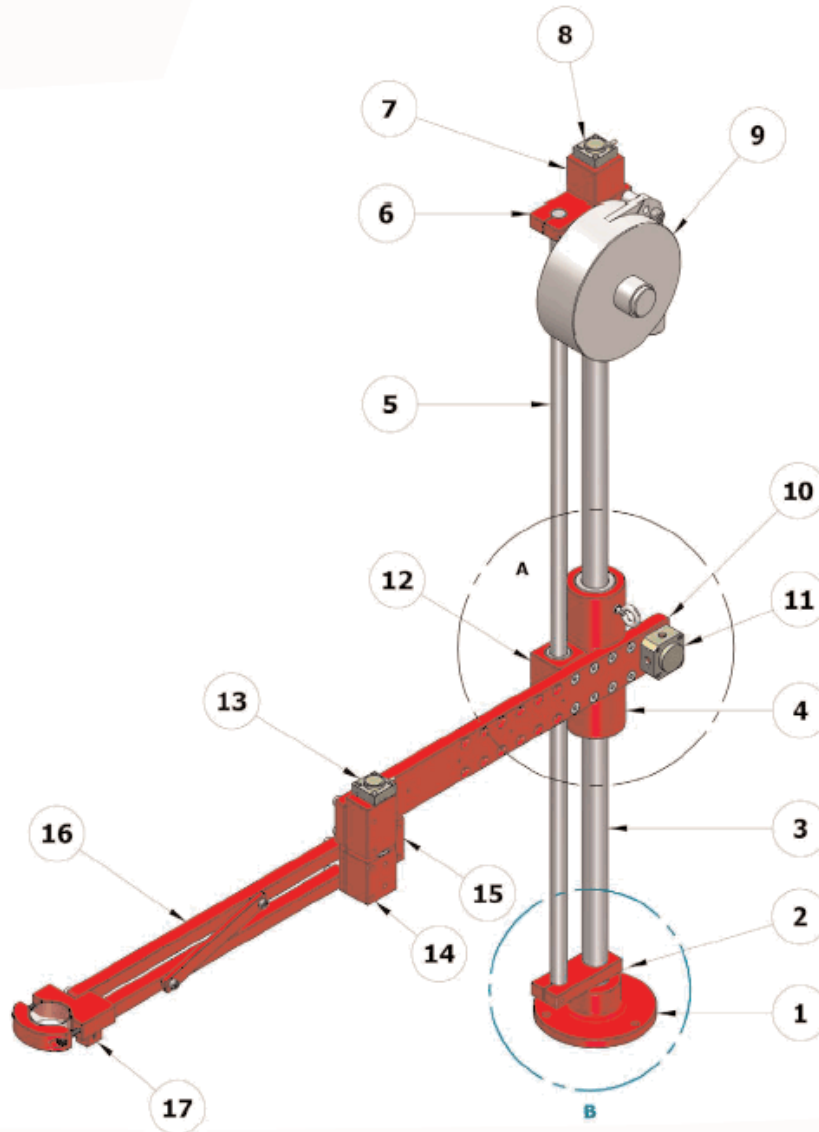


EZ-Glider EZ-12RPC Position Arm

Rev 1.0 3/7/24



No.	Description	Part #	No.	Description	Part #
1.	Base	62-5200225	10.	Primary Tube	-
2.	Bottom Flange	62-5200226	11.	Connection Box	62-1200488
3.	Floor Post	62-5200227	12.	Socket Rotation	-
4.	Sliding Bush	62-5200228	13.	Sensor Articulation	62-1200485
5.	Rotaring Axis	62-1200006	14.	Complete Articulation	62-5200243
6.	Superior Flange	-	15.	Angular Thrust	-
7.	Sensor Support	-	16.	Secondary Arm Plate	62-5200244
8.	Encoder	62-1200484	17.	Tool Clamp	260006
9.	Balancer	62-1200154			