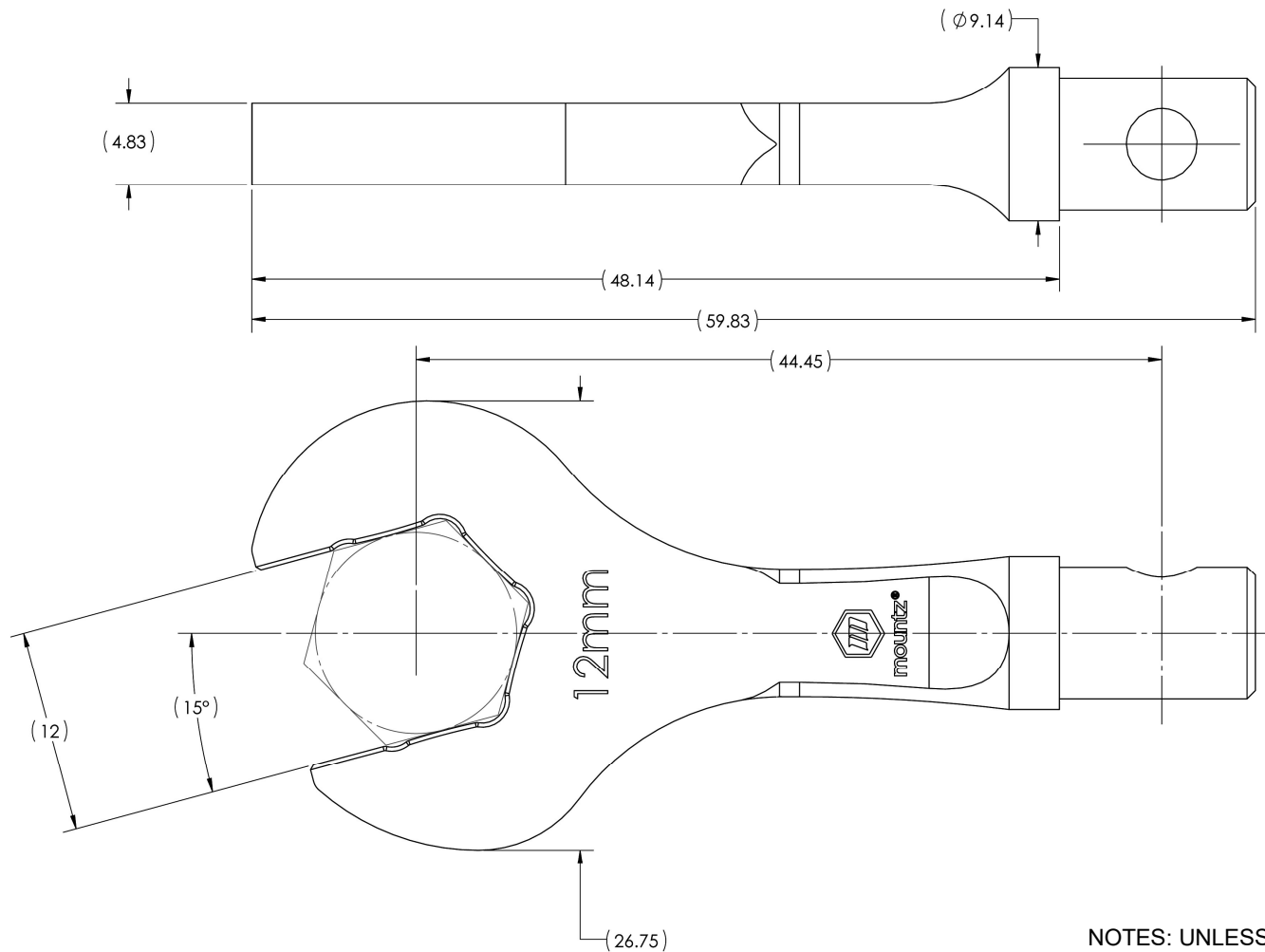


Open End Head 12mm (for TBIH & TBX-12)

Item # 069228



NOTES: UNLESS OTHERWISE SPECIFIED.
1. DRAWINGS ARE IN mm.