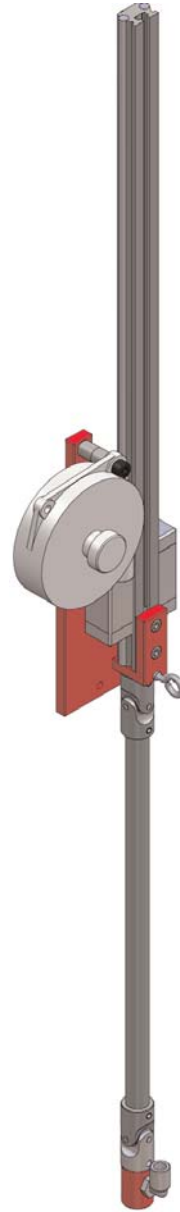


EZ-Slider 8, 15 & 20 Operation Instructions

Rev 2.1 (4/19/2013)



EZ-Slider 8, 15 & 20 Operation Instructions

Rev 2.1 (4/19/2013)

Introduction

Crafted with a lightweight durable carbon fiber, the EZ-Slider arm slides up and down. The Slider Arm slides up and down and provides X & Y axis mobility. A Gliding Rail System (an accessory item on page 4) allows the Slider arm the freedom to travel horizontally (side to side) on a production floor. Multiple Slider arms can be mounted to it. An ideal ergonomic solution for multi-tool applications such as a moving production and assembly line where balancers are fixed to a trolley system. Eliminates torque reaction of assembly tools. Can be used with a variety of assembly tools like angle nutrunners and electric & pneumatic screwdrivers.

EZ-Slider Components

There are 3 components to the arm.

- A. Red Mounting Base with balancer
- B. Sliding Rail Bar (for sliding the arm up and down)
- C. Graphite Arm

Item A



Item B



Item C



Note:

- The EZ-Slider 8 & 15 comes with a standard air fitting.
- The tubing diameter for the air supply is 8 mm.
- The external thread for the fitting is 1/4" (external \varnothing 13 mm).

An electric tool clamp is sold separately.

Electric Driver Clamp Accessory (for VZ & VB Series only)

Model	Item #	Clamp Dia.
EZ-Slider 8	260110	1 - 2 "
EZ-Slider 15	260111	1 - 2 "



EZ-Slider 8, 15 & 20 Operation Instructions

Rev 2.1 (4/19/2013)

Mounting

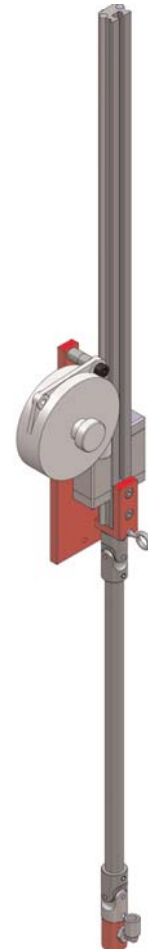
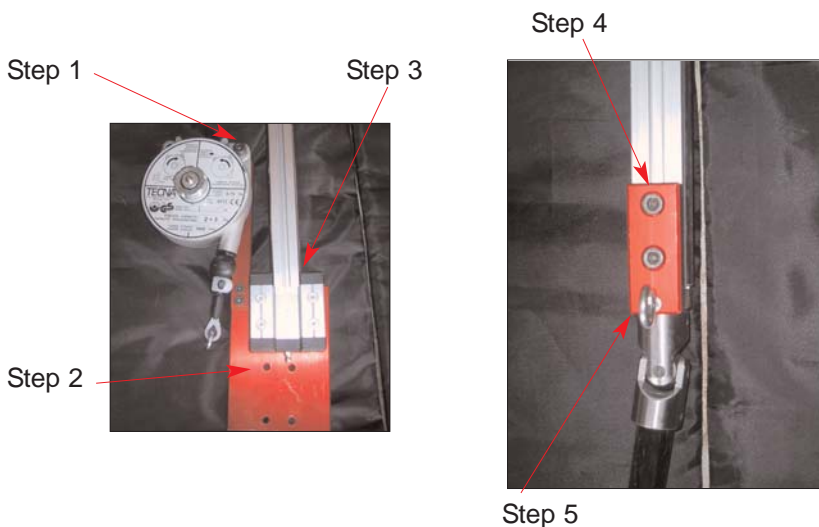
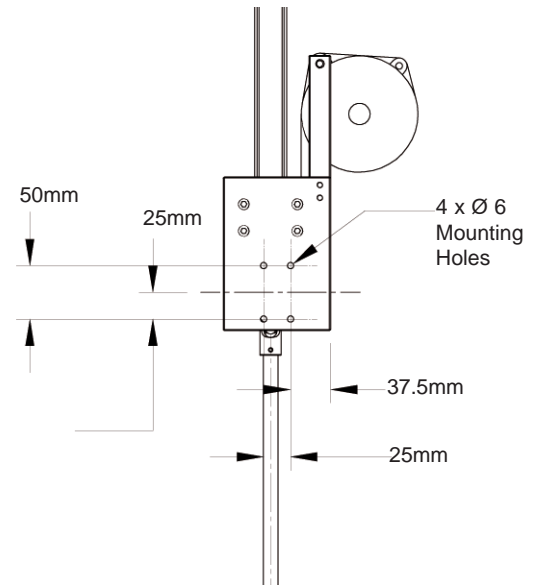
There are four mounting holes in the Red Mounting Base. This provides flexibility for the arm to be mounted to a variety of fixtures, rails or devices.

The Slider can be mounted the Gliding Rail System, which is an accessory item that allows the Slider arm the freedom to travel horizontally (side to side) on a production floor. The Gliding Rail System connects to a standard rail system, aluminum extrusion or existing overhead system and is available in a variety of lengths.

For information on the Gliding Rail System, see page 4.

Assembling EZ-Slider Arm

1. Attach balancer or tighten it to the Red Mounting Base.
2. Mount the "Red Mounting Base" (there are four holes). No fasteners included.
3. Slide the "Sliding Rail Bar" into the channel (Silver) with open rail channel facing out. The bolt, with head sticking out, should be placed at the top. The bolt acts as a stopper, so the bar doesn't slide out the bottom.
4. Place the two fasteners & washer into the holes of the small red mounting section of the Graphite Arm. Keep the bolts loose. Slide the Red base of the Graphite Arm into the open rail channel of the Sliding Rail Bar. Tighten bolts.
5. Connect balancer cable hook to the eye hook on the Slider Arm.



EZ-Slider 8, 15 & 20 Operation Instructions

Rev 2.1 (4/19/2013)

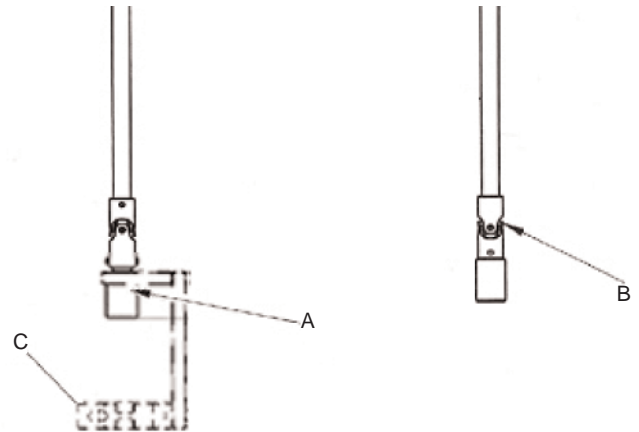
Accessories - Electric Driver Clamp

The EZ-Slider 8 & 15 comes with a standard air fitting. An Electric tool clamp is sold separately.

- The tubing diameter for the air supply is 8 mm.
- The external thread for the fitting is 1/4" (external \varnothing 13 mm).

Installing Electric Driver Clamp

1. Remove item A (female adapter for air driver) from item B withdrawing the little pin (to do that you need one hammer and one pin remover).
2. Insert the electric clamp, item C, in item B. Match both holes. Reinstall the pin and it is finished.

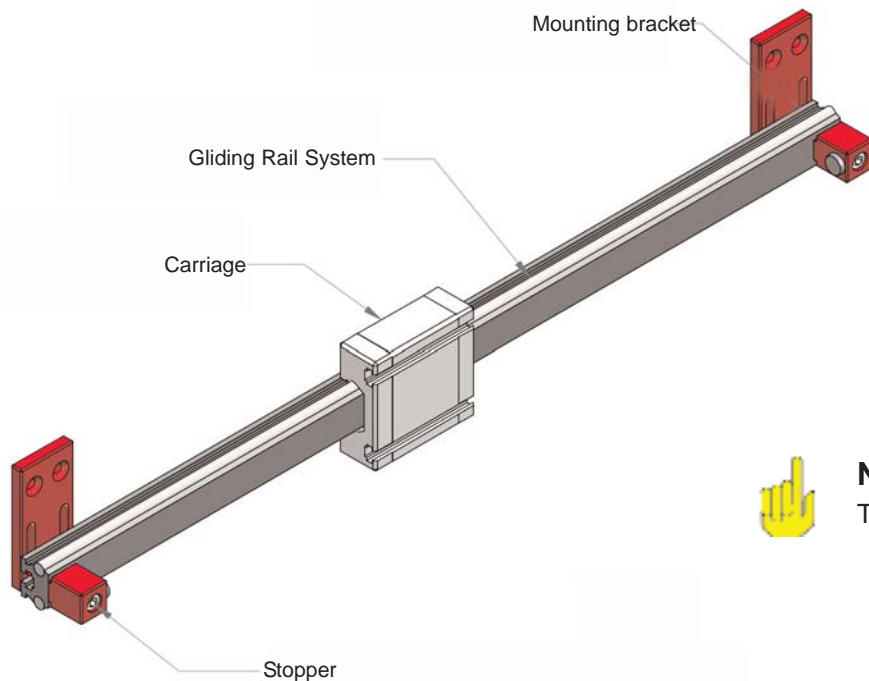


Accessories - Gliding Rail System

Allows the Slider arm the freedom to travel horizontally (side to side) on a production floor. The Gliding Rail System connects to a standard rail system, aluminum extrusion or existing overhead system and is available in a variety of lengths. The EZ-Slider mounts onto the "Carriage." Each Gliding Rail System includes one Carriage. Additional Carriages can be purchased separately. Multiple Carriages can be added to the Gliding Rail System, which allows for multiple Slider arms to be used freely on a rail system.

For EZ-Slider 8, 15, 40 models

Working Distance	Item #
450mm	260103
650mm	260104
850mm	260105
1050mm	260106
1350mm	260107
1850mm	260108



Note:

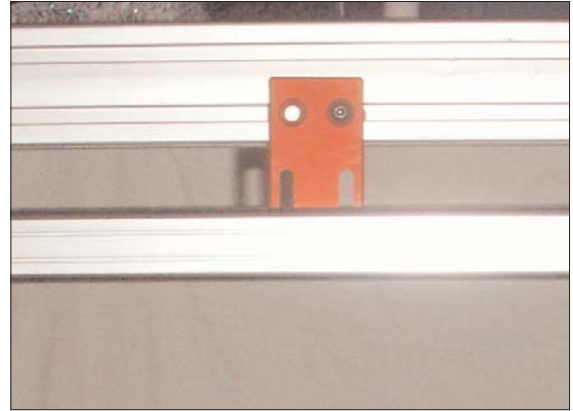
The EZ-Slider arm attaches to the Carriage.

EZ-Slider 8, 15 & 20 Operation Instructions

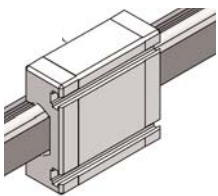
Rev 2.1 (4/19/2013)

Installing - Gliding Rail System

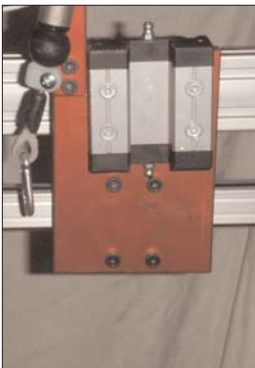
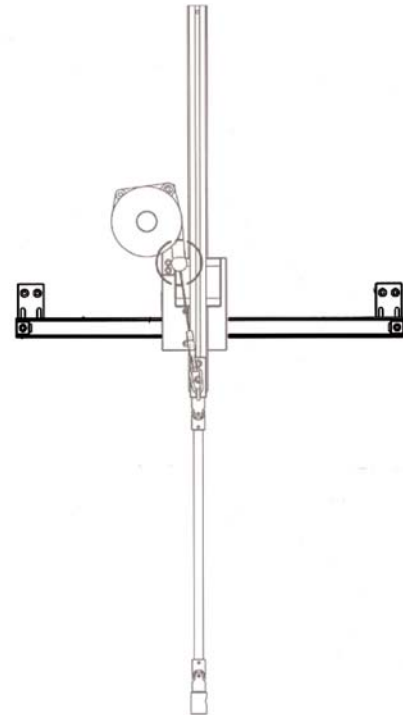
1. Attach Mounting Bracket to a fixture, standard rail system, aluminum extrusion or existing overhead system. (No mounting screws included).



2. The Slider Arm Should not be fully assembled when mounting to the Gliding Rail System. It needs to be assembled piece by piece.
3. Attach balancer or tighten it to the Red Mounting Base.
4. Mount the "Red Mounting Base" (there are four holes) to the Carriage on the Gliding Rail System.
5. Slide the "Sliding Rail Bar" into the channel (Silver) with open rail channel facing out. The bolt, with head sticking out, should be placed at the top. The bolt acts as a stopper, so the bar doesn't slide out the bottom.
6. Place the two fasteners & washer into the holes of the small red mounting section of the Graphite Arm. Keep the bolts loose. Slide the Red base of the Graphite Arm into the open rail channel of the Sliding Rail Bar. Tighten bolts.
7. Connect Balancer Cable hook to the eye hook on the EZ-Slider Arm.



The four holes in the Red Mounting Base align with the open channels in the carriage.



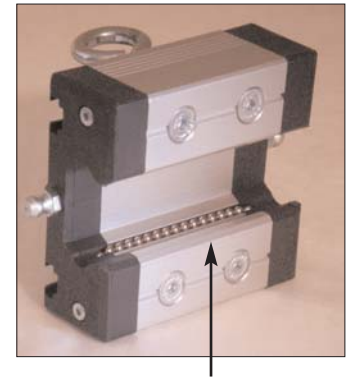
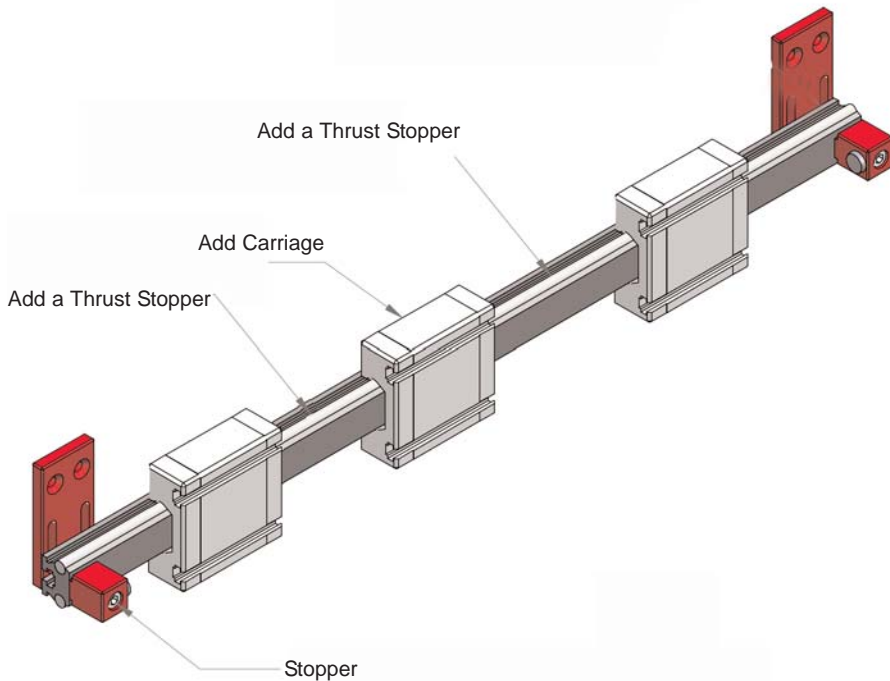
EZ-Slider 8, 15 & 20 Operation Instructions

Rev 2.1 (4/19/2013)

Using Multiple Slider Arms

Each Gliding Rail System includes one Carriage. For adding Slider Arms to the Gliding Rail System, additional Carriages (Item # 260109) need to be purchased. Also, it's recommended to add a "Thrust Stopper" (Item # 260044), which is sold separately, between each Carriage to prevent these items from hitting each other.

1. Loosen bolt from the Stopper.
2. Slide a Thrust Stopper onto the rail (if needed). Tighten bolt on the Thrust Stopper at desired location on the rail.
3. Slide a additional Carriage onto the Rail.
4. Continue step 3 & 4 if adding more carriages.
5. Tighten bolt for stopper.



This side slides onto the rail of the horizontal linear guide bush



Note:

Thrust Stopper should be placed between each Carriage or Balance Carriage that is added to the Gliding Rail System rail. The Thrust Stopper prevent the Carriages from hitting each other.

Also, a Thrust Stopper can be used to limit the travel of one Carriage on the Rail to a specified distance.

EZ-Slider 8, 15 & 20 Operation Instructions

Rev 2.1 (4/19/2013)

Balancer Carriage

Features a hook for mounting a balancer. It can be mounted to the Gliding Rail System. Hang a Bar Code Reader or a tool to the balancer.

Follow the same steps for adding a Carriage on Page 6.

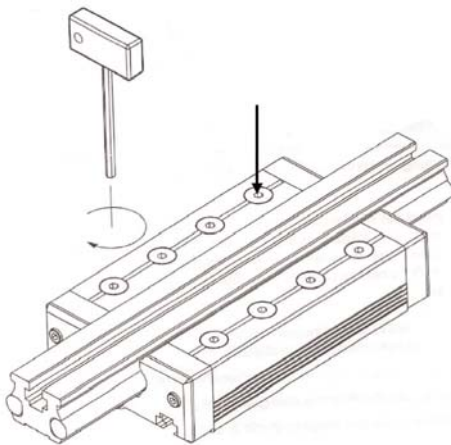
Balancer Carriage



Maintenance

Preventative maintenance recommendation for the linear guides.

1. Check that there is no play in the ball bearing carriages on the linear guides. If this is the case, compensate for the play in the carriage using the screws (see drawing below.)
2. Check that the balancer's stop ball for the EZ-Slider are correctly adjusted in order to avoid the safety stop knocking.



Mountz Service Locations

Eastern Service Center

19051 Underwood Rd.
Foley, AL 36535
Phone: (251) 943-4125
Fax: (251) 943-4979

Western Service Center

1080 N.11th Street
San Jose, CA 95112
Phone: (408) 292-2214
Fax: (408) 292-2733

www.mountztorque.com
sales@mountztorque.com

Download a "Service Form" and include a copy when you send the tools in to be serviced.

Looking for fasteners?
www.mrmetric.com

**mr.
metric®**