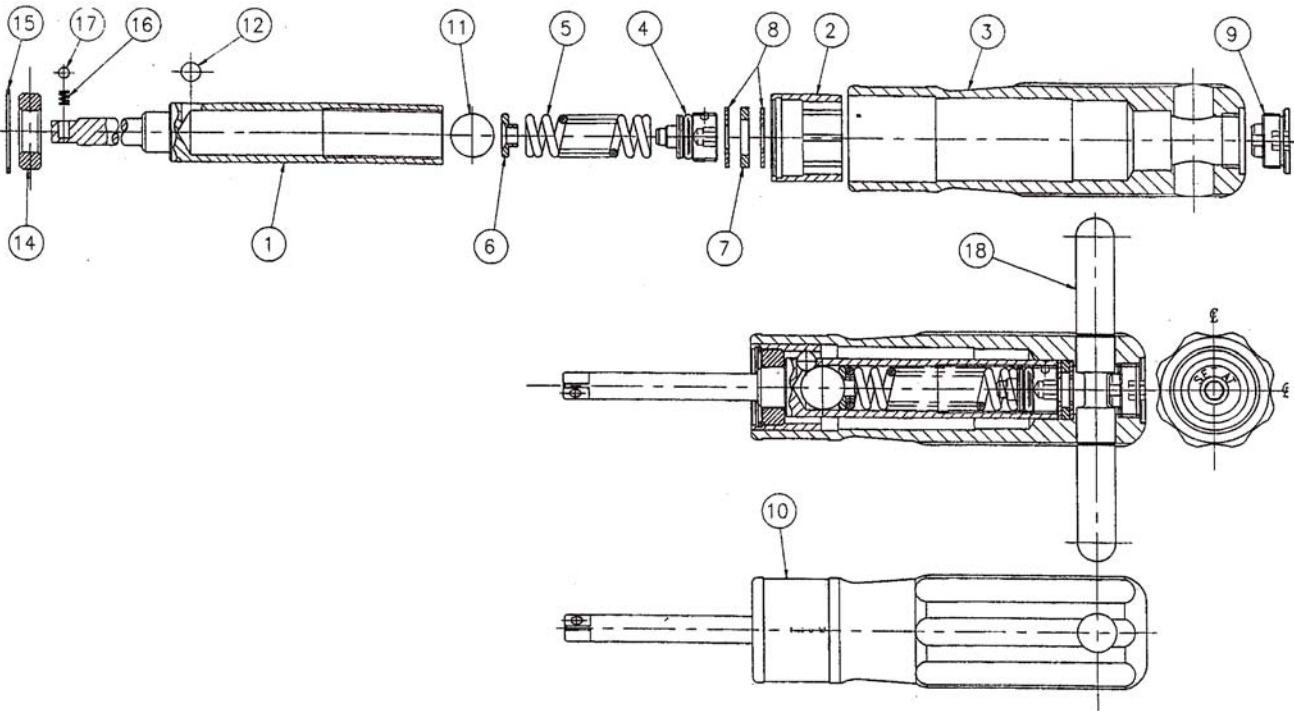


TLS 1360 (1/4 Male Sq. Drive) Parts Lists

Version 1.2 (11/21/16)



No.	Part#	Qty	Description
1	201086	1	Spring Housing Sq. Drive
2	20-A84900	1	Cam Ring - 6 Lobe
3	20-B15423	1	Handle TLS1360 Black
4	20-AE0040	1	Adjusting Screw Assy
5	20-A78650	1	Main Spring
6	20-A27220	1	Spring Thrust Pad
7	202649	1	Thrust Washer - Nylatron
8	201093	2	Thrust Washer
9	20-A87970	1	End Cap - Moulded
10	20-B88603	1	Tool Label
11	20-P10630	1	Steel Ball 1/2" Dia
12	220015	3	Steel Ball 7/32" Dia
14	205104	1	Radial Bearing
15	20-P10020	1	Retaining Ring
16	201013	1	Ball Catch Spring
17	220077	1	Steel Ball 1/8" Dia
18	20-A35470	1	Tommy Bar Stainless Steel (Long - OAL 150.5mm) *
	20-A35460	1	Tommy Bar Stainless Steel (Short - OAL 100.5mm) **
	207491	1	Tommy Bar Gold (Long - OAL 165.10mm) ***

Notes

* Supplied w/tool 2008 onwards

** Optional accessory item

*** Replacement for older TLS1360 models that were supplied with Gold T-bar. The Gold T-bar has a different diameter and will not fit the newer tools fitted with the new stainless steel T-bar.