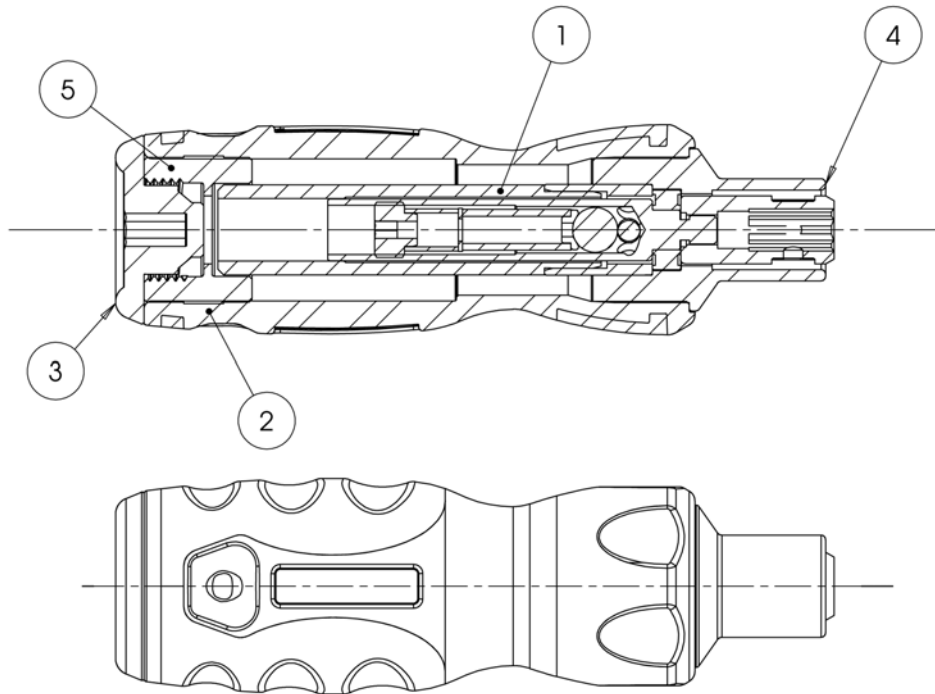


TLS Pro 25 ESD Parts List

Rev. 1 (9/10/2015)



| No. | Part Number | Description | Qty. |
|-----|-------------|-------------------------|------|
| 1. | 20-B45970 | SPRING HOUSING SUB ASSY | 1 |
| 2. | 20-B45591 | HNDL SUB ASSY ESD | 1 |
| 3. | 20-A45615 | END CAP (BLACK) | 1 |
| 4. | 20-A45960 | FRONT COVER | 1 |
| 5. | 20-B45650 | THRUST WASHER | 1 |

Contact
Mountz Inc.
Phone: 408.292.2214
Fax: 408.292.2733
sales@mountztorque.com
www.mountztorque.com

 Twitter: @mountztorque

Looking for fasteners?
www.mrmetric.com

mr.
metric®