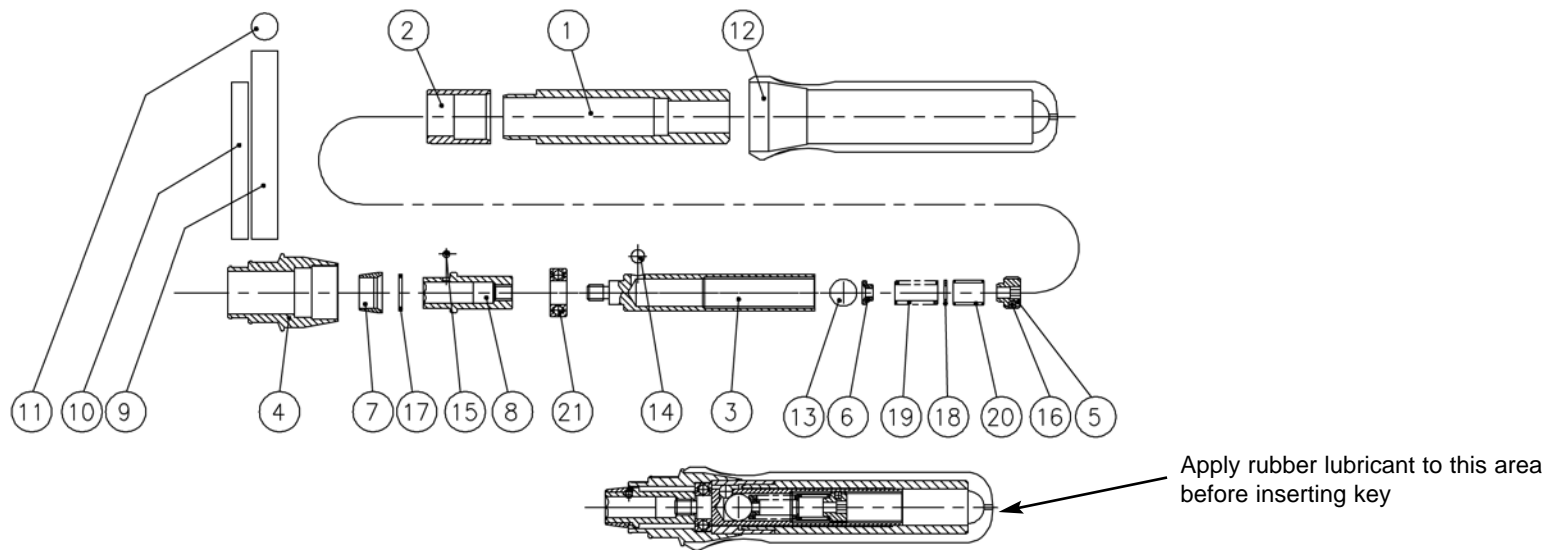


PSE25 Parts List

January 25, 2012





PSE25 Parts List

January 25, 2012

No.	Part Number	Description	Qty.
1.	20-A23990	Handle Tube	1
2.	20-A24000	Cam - 6 Lobe	1
3.	20-A13230	Spring Housing	1
4.	20-A24016	Front Cover	1
5.	20-A24020	Adjusting Screw	1
6.	20-A19632	Spring Thrust Pad	1
7.	20-A24030	Cover	1
8.	20-A24040	Female Hex Adaptor	1
9.	20-A24051	Tool Label	1
10.	20-A24060	Pre Set Label	1
11.	20-A24080	Quality Control Label	1
12.	20-A23901	Hand Grip	1
13.	20-P10540	Steel Ball 5/16" Dia	1
14.	20-P10610	Steel Ball 5/32" Dia	3
15.	20-P11730	Steel Ball 2mm Dia	1
16.	20-P10590	Nylon Ball 3/32" Dia	1
17.	20-P26340	Wire Ring	1
18.	20-P10990	Washer-Plain	1
19.	20-P16040	Compression Spring	1
20.	20-P11100	Compression Spring	1
21.	20-P16060	Deep Groove Ball Bearing	1

Mountz Service Locations

Eastern Service Center

19051 Underwood Rd.
Foley, AL 36535
Phone: (251) 943-4125
Fax: (251) 943-4979

Western Service Center

1080 N.11th Street
San Jose, CA 95112
Phone: (408) 292-2214
Fax: (408) 292-2733

Mexico Service Center

Mountz Mexico SA de CV Chihuahua
Av. Cristobal Colon #15343
Col. Paseos de Chihuahua
Chihuahua, Chih. Mexico CP 31125
Phone: (614) 481-0023
Fax: (614) 481-0053

www.mountztorque.com
sales@mountztorque.com

Download a "Service Form" and include a copy
when you send the tools in to be serviced.

Looking for fasteners?
www.mrmetric.com

