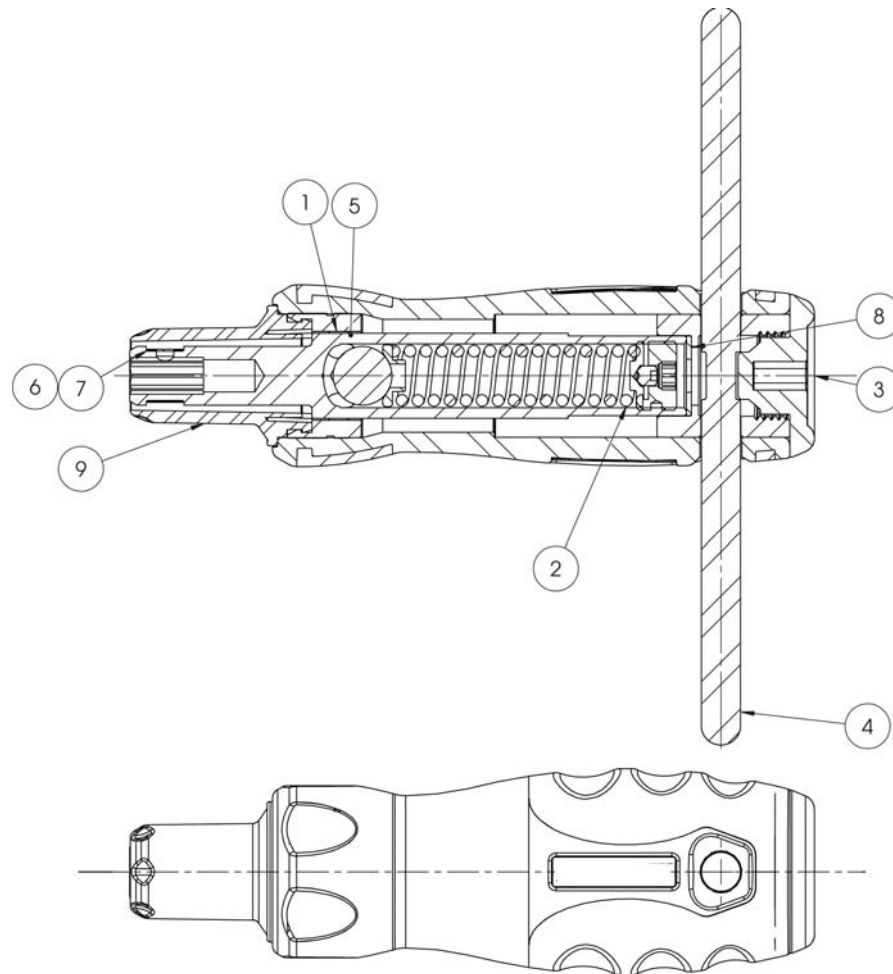


# TLS Pro 450 Parts List

Rev. 1 (9/9/2015)



No.	Part Number	Description	Qty.
1.	20-B45832	HNDL SUB ASSY	1
2.	20-B45815	SPRING HOUSING SUB ASSY	1
3.	20-A45613	END CAP (BLUE)	1
4.	20-A35470	TOMMY BAR - LONG (ST. STEEL)	1
5.	20-P28480	6mm STEEL BALL	3
6.	20-P10650	1/8in STEEL BALL	1
7.	20-A56641	SPRING CLIP	1
8.	20-A45820	THRUST WASHER	1
9.	20-B45571	FRONT COVER	1

**Contact**  
**Mountz Inc.**  
**Phone: 408.292.2214**  
**Fax: 408.292.2733**  
**sales@mountztorque.com**  
**www.mountztorque.com**


**Twitter: @mountztorque**

Looking for fasteners?  
[www.mrmetric.com](http://www.mrmetric.com)

