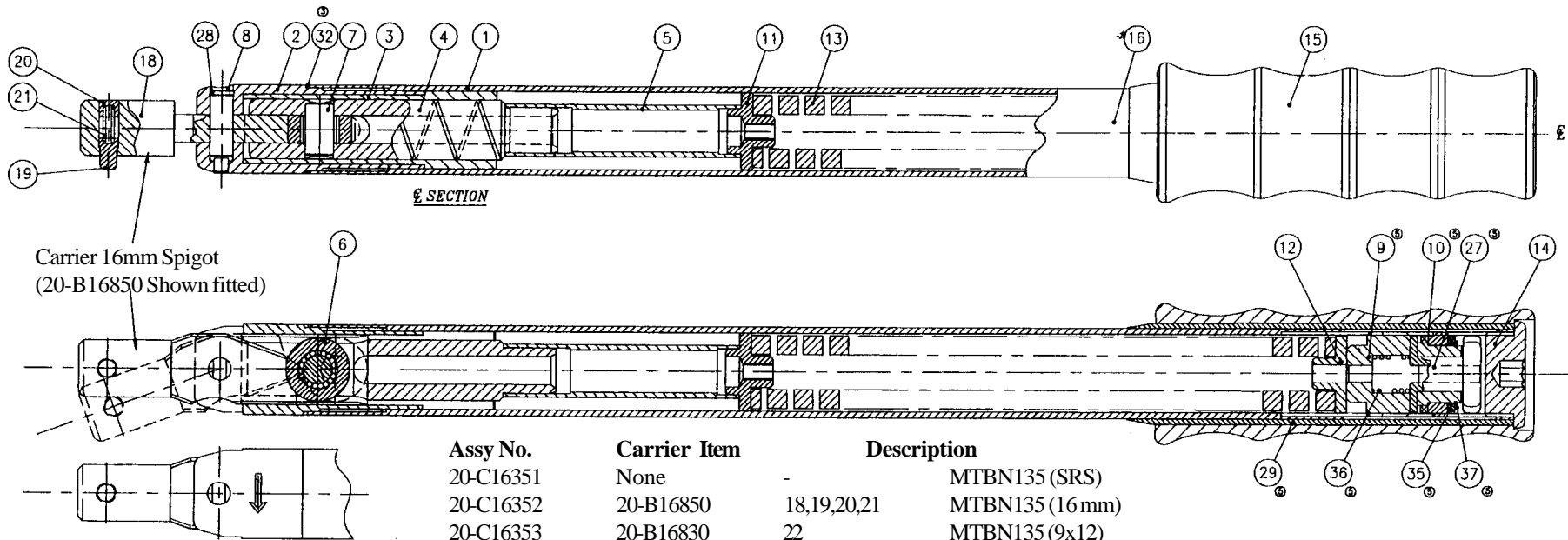


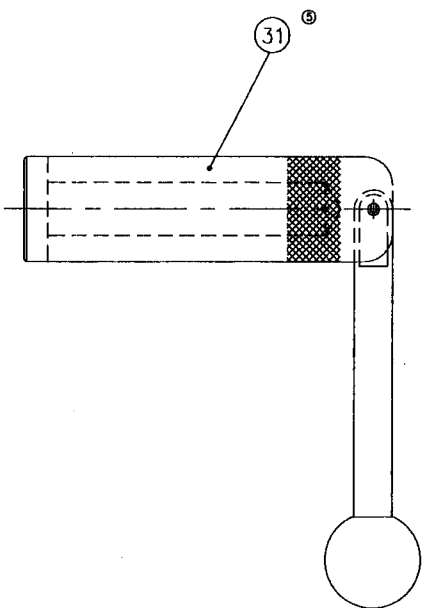
MTBN135 (w/M-Tald Adjusting Key)



Note: Asymetrical Tail of carrier to be assembled relative to arrow as shown.

1. Coat matting face of handle sleeve (item 29) with Loctite Grade 648. Slide handle sleeve (Item 29) onto handle (item 1). Ensure surplus Loctite is removed from the slots formed within the inner tube. Cure and leave to cool. Once it cools down, assembled end to be degreased fully and blowdry using compressed air.
2. Assemble bearing outer ring & needle rollers (item 6 & 26) using "rocol" ASP (Anti Scuffing Paste) to hold rollers in position.
3. Position Assembled Ring & Rollers in forked section of sliding trunnion (item 4) & introduce bearing pin (item 7) into center of bearing via the hole in the sliding trunnion identified with a dimple. Once the pin has passed through the center of the bearing it may be pressed into the opposing hole ensuring that the ends do not protrude.
4. Using "Rocol" ASP slightly thinned with machine oil, apply lubricant to the spiral lubrication groove around the outside of the sliding trunnion.
5. Insert the bearing/sliding trunnion assembly into the slotted end of the bronze bush (item 3) so that the roller sits in the slotted section with the reduced diameter of the trunnion protruding through the full diameter end of the bush.
6. Secure spacer (item 5), sliding trunnion (item 4) & spacer end spigot (item 11) with Loctite 648.
7. With a carrier assembled with the body (item 2), insert the completed assembly into the rear of the body taking care that the slotted sections of the bush & trunnion straddle the cam form end of the carrier. The bronze bush should be a slide fit within the body. After assembly remove the captive pin & carrier, lubricate with ASP & Re-assemble.
8. Screw handle (item 1) to body using Loctite Grade 648.
9. Fully degrease handle tube (item 1) prior to fitting label.

MTBN135 (w/M-Tald Adjusting Key)

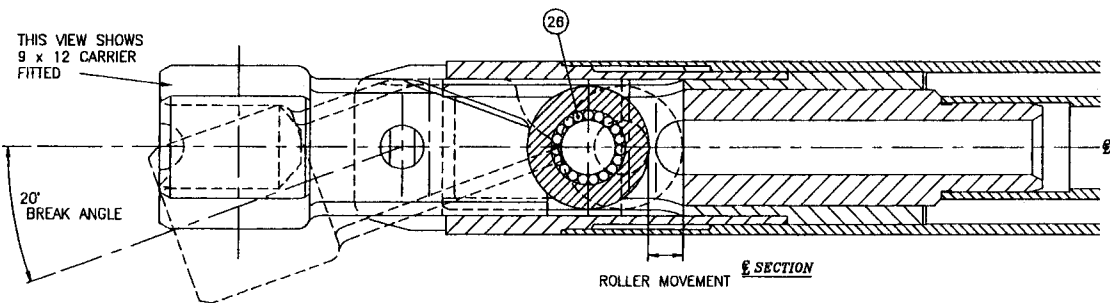
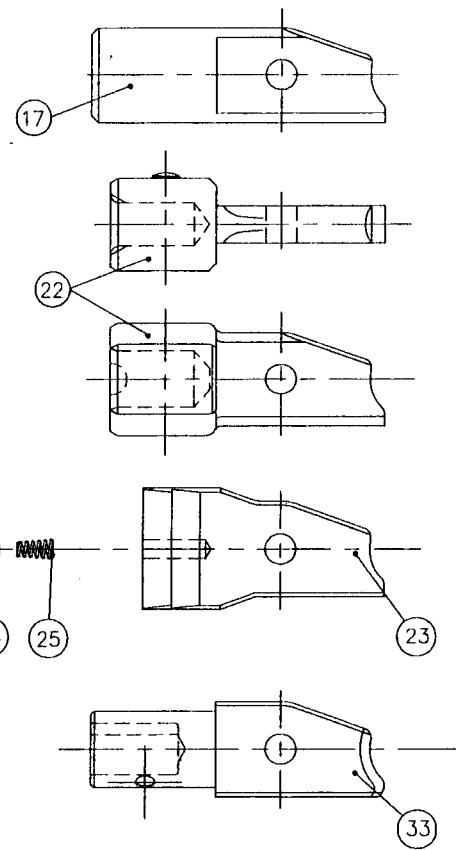


Plain end fitting 20-B16820
for custom end fittings to
suit SRS type 20-C16351

9 x 12 Carrier (20-B16830)

Dove Tail End Carrier
(20-B16840)

Carrier "J" type
(20-B18010)



MTBM135 (w/M-Tald Adjusting Key)

Ref#	Part#	Qty	Description	Ref#	Part#	Qty	Description
1	20-B20333	1	Handle	19	20-A60110	1	Location Pin (see 20-C16352)
2	20-B16740	1	Body	20	20-A60120	1	Spring Cup (see 20-C16352)
3	20-A16750	1	Bush	21	20-P11040	1	Spring (see 20-C16352)
4	20-A16770	1	Sliding Trunnion	22	20-B16830	1	Carrier 9x12mm (see 20-C16353)
5	20-A16782	1	Spacer Tube	23	20-B16840	1	Carrier Body - Dovetail (see 20-C16354)
6	20-A16790	1	Bearing - Outer Ring	24	20-A10451	1	Plunger (see 20-C16354)
7	20-A16800	1	Bearing Pin	25	20-A10180	1	Conical Spring (see 20-C16354)
8	20-A19480	1	Captive Pin	26	20-P25600	1	Needle Roller's 1.5 x 7.8
9	20-B18610	1	Adjusting Screw (see 20-A18650)	27	20-A18620	1	Sliding Lock (see 20-A18650)
10	20-B18630	1	Lock Ring (see 20-A18650)	28	20-P26910	1	Circlip (NA3000-025P)
11	20-A86692	1	End Spigot	29	20-A20310	1	Handle Sleeve
12	20-A85430	1	Spring End Pad	30			
13	20-A26420	1	Main Spring	31	20-A19210	1	Adjusting Key (M-Tald Adjusting Key)
14	20-A81381	1	End Cap	32	20-P11060	1	O'Ring
15	20-A74742	1	Hand Grip	33	20-A18010	1	Carrier "J" Ring (see 20-C16355)
16	-	1	Label	34	20-P26690	1	Retaining Ring (see 20-A18650)
17	20-B16820	1	Plain End Fitting (Fits SRS Type)	35	20-A18640	1	Support Ring (see 20-A18650)
18	20-B16850	1	Carrier 16mm Spigot (see 20-C16352)	36	20-P26700	1	Spring (see 20-A18650)