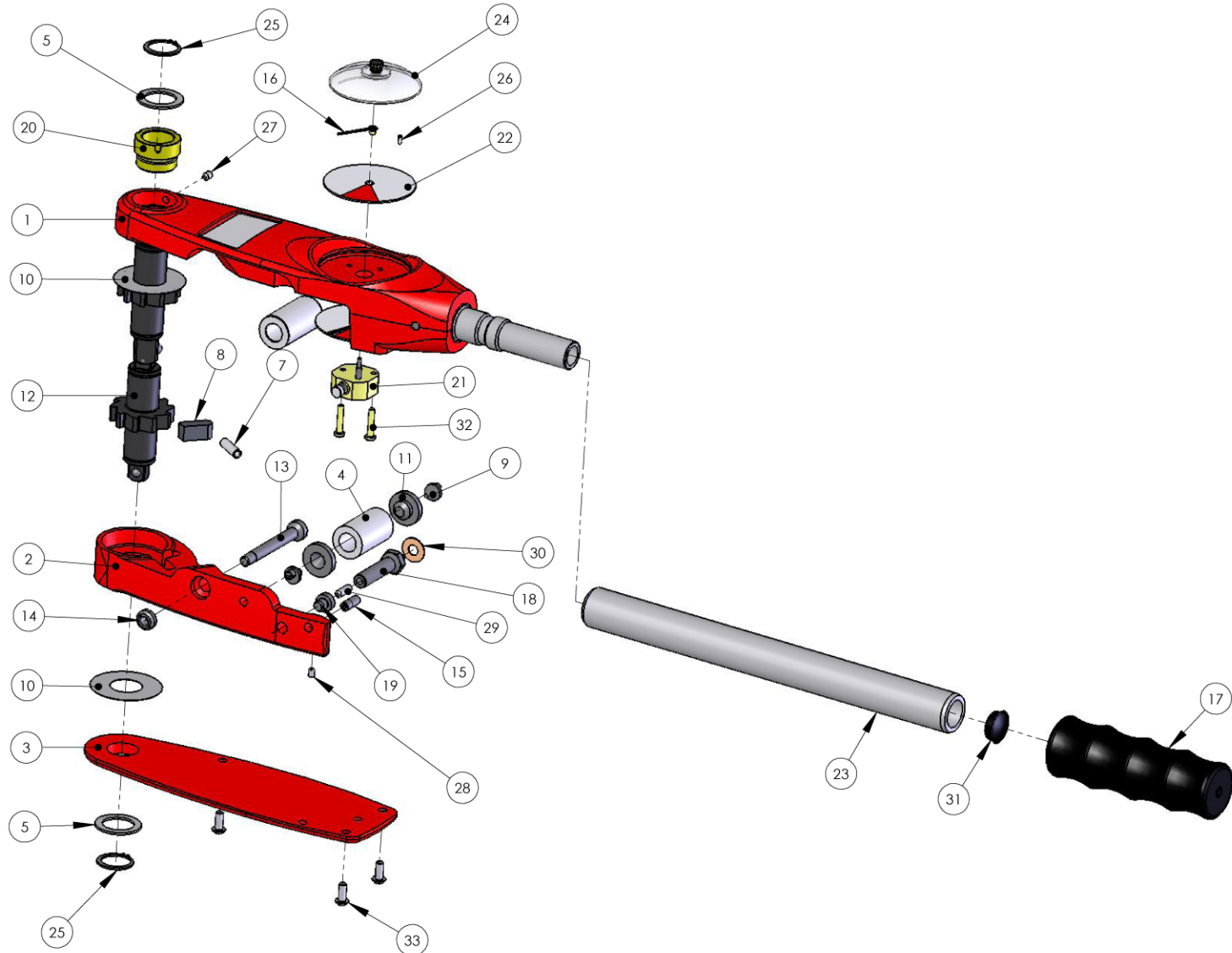


# BDS Dial Wrenches Parts List

Rev 2.0 11/8/2013



Version 2.0

# BDS Dial Wrenches Parts List

Rev 2.0 11/8/2013

Item No.	Part Number	Description	Spare Parts List/Qty	Comments	Item No.	Part Number	Description	Spare Parts List/Qty
1	20-D17760	Body Top Half - BDS	1					
2	20-D17770	Body Lower Half-BDS	1		39	20-Standard	Dial-BDS 160	1
3	20-B17780	Cover Plate-BDS	1		40	20-A21600	Main Spring-BDS 160	1
4	20-A10402S	Main Spring-BDS 80	1		41	20-Minus 6%	Dial-BDS 160	1
	20-A21600	Main Spring-BDS 160	1		42	20-A10401S	Main Spring-BDS 200	1
	20-A10401	Main Spring-BDS 200	1		43	20-Standard	Dial-BDS 200	1
5	20-A10410	Retaining Ring Washer-BDS	2		44	20-A10401M	Main Spring-BDS 200	1
6	20-A10460	Window Circlip	1		45	20-Minus 6%	Dial-BDS 200	1
7	20-A17150	Pawl Spring-BDS	1					
8	20-A17160	Pawl	1					
9	20-A10120	Spring Pivot	2					
10	20-A10374	Face Shim-BDS	2					
11	20-A10420	Spring Plate-BDS	2					
12	20-A13030	3/8in.SQ.DR. Spindle Assy	1					
	20-A13040	1/2in.SQ.DR. Spindle Assy	1					
13	20-A16660	Tie Bolt-BDS	1					
14	20-A16670	Tie Bolt Nut-BDS	1					
15	20-A19360	Adjusting Screw-BDS	1					
16	20-A66432	Hand Assy	1					
17	20-A84630	Adjusting Screw-BDS	1					
18	20-A89640	Stop Body-BDS	1					
19	20-A89650	Stop Pad-BDS	1					
20	20-A94890	BDS Adjustable Bush	1					
21	20-B64062	Rack & Pinion	1					
22	20-B64930	Dial-BDS 80	1					
	20-B65520	Dial-BDS 160	1					
	20-B64910	Dial-BDS 200	1					
23	20-B65071	Handle-BDS 160/200	1	LENGTH=308/310mm				
	20-B65072	Handle-BDS	1	LENGTH=233/235mm				
	20-B65073	Handle-BDS 200 Short	1	LENGTH=3172/178mm				
	20-B65074	Handle-BDS 80 Short	1	LENGTH=119/123mm				
24	20-B66450	Window Assy-BDS	1					
25	20-P10690	Retaining Ring	2					
26	20-P13640	Rivet	1					
27	20-P14730	SKT Sets SCR-M4x5-N	1					
28	20-P15770	SKT Sets SCR-M3x5-N	1	Cone Point				
29	20-P18860	SKT Sets SCR-Mx12-N	1	Tuf Coated FL.PT				
30	20-P21040	Shakerproof Washer	1					
31	20-P21090	Plastic Plug-DIA. 15.9mm	1					
32	20-P24520	Pozi,Pan Head-M3x16	2					
33	20-P26290	Button Head SKT SCR-M4x10	3					
34	20-A13040	BDS-1/2in.SQ.DR.Spindle Assy	1					
35	20-B65071	Handle-BDS (Non Signal)	1					
36	20-A10402M	Main Spring-BDS 80	1					
37	20-Minus 6%	Dial-BDS 8- Dial Wrench	1					
38	20-A21600	Main Spring-BDS 160	1					

**Contact**  
**Mountz Inc.**  
**Phone: 408.292.2214**  
**Fax: 408.292.2733**  
**sales@mountztorque.com**  
**www.mountztorque.com**

 **Twitter: @mountztorque**

Looking for fasteners?  
[www.mrmetric.com](http://www.mrmetric.com)

**mr.  
metric®**