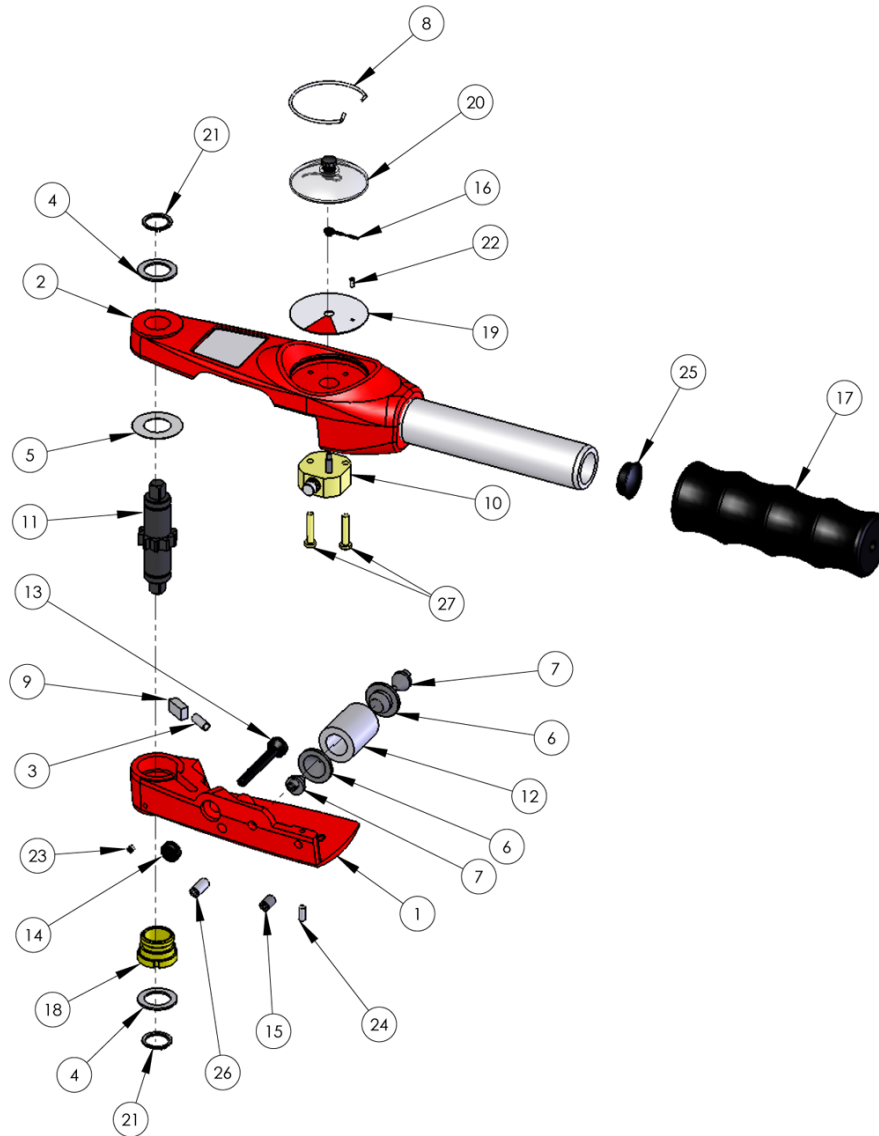


ADS Dial Wrenches Parts List

Rev 2.0 11/8/2013



ADS Dial Wrenches Parts List

Rev 2.0 11/8/2013

Item No.	Part Number	Description	ADS/Qty	Comments
1	20-D10000	ADS - Body Lower Half	1	
2	20-10010	ADS-Body Top Half	1	Includes handle
3	20-A10050	Pawl Spring-Ads	1	
4	20-10060	Retaining Ring Washer-ADS	2	
5	20-A10074	Face Shim-ADS	1	
6	20-A10110	Spring Plate-ADS	2	
7	20-10120	Sprig Pivot	2	
8	20-A10150	Window Circlip	1	
9	20-A11980	Pawl-ads	1	
10	20-A12681	Rack & Pinion ASSY	1	ADS 4
	20-A12682	Rack & Pinion ASSY	1	ADS 40 & 40F
	20-A12686	Rack & Pinion ASSY	1	ADS 8 & 12
11	20-A13010	ADS-SQ.DR ASSY 1/4in"	1	ADS 4, 8 & 12D
	20-A13020	ADS-SQ.DR ASSY 3/8 in"	1	ADS 12A, 25, 25F,40 & 40F
12	20-A14040	Main Spring-ADS 4	1	
	20-54160	Main Spring-ADS 8	1	
	20-A10101	Main Spring-ADS 12	1	ADS 12A & 12D
	20-A10102	Main Spring-ADS 25	1	ADS 25 & 25F
	20-A10104	Main Spring-ADS 40	1	ADS 40 & 40F
13	20-A16640	Tie Bolt-ADS	1	
14	20-A16650	The Bolt Nut-ADS	1	
15	20-A19350	Adjusting Screw-ADS	1	
16	20-A66431	Hand Assembly-ADS	1	
17	20-A84630	Hand Grip	1	
18	20-A94080	ADS Asjustable Bush	1	
19	20-B65390	Dial-ADS 4	1	
	20-B65410	Dial-ADS 8	1	
	20-B65420	Dial-ADS 12	1	
	20-B65440	Dial-ADS 25	1	
	20-B65460	Dial-ADS 25F	1	
	20-B65480	Dial-ADS 40	1	
	20-B64900	Dial-ADS 40F	1	
20	20-B66420	Window ASSY- ADS	1	
21	20-P10670	Retaining Ring	2	
22	20-P13640	Rivet	1	
23	20-P14580	SKT Sets SCR CUP-M3x 3-N	1	
24	20-P18610	ISO 4029-M3x 8-N	1	
25	20-P21090	Plastic Plug- DIA. 15.9mm	1	
26	20-P23060	SKT Sets SCR CUP-M5x12	1	
27	20-P24520	Pozi, Pan Head- M3x16	2	

Contact
Mountz Inc.
Phone: 408.292.2214
Fax: 408.292.2733
sales@mountztorque.com
www.mountztorque.com

 **Twitter: @mountztorque**

Looking for fasteners?
www.mrmetric.com

**mr.
metric®**