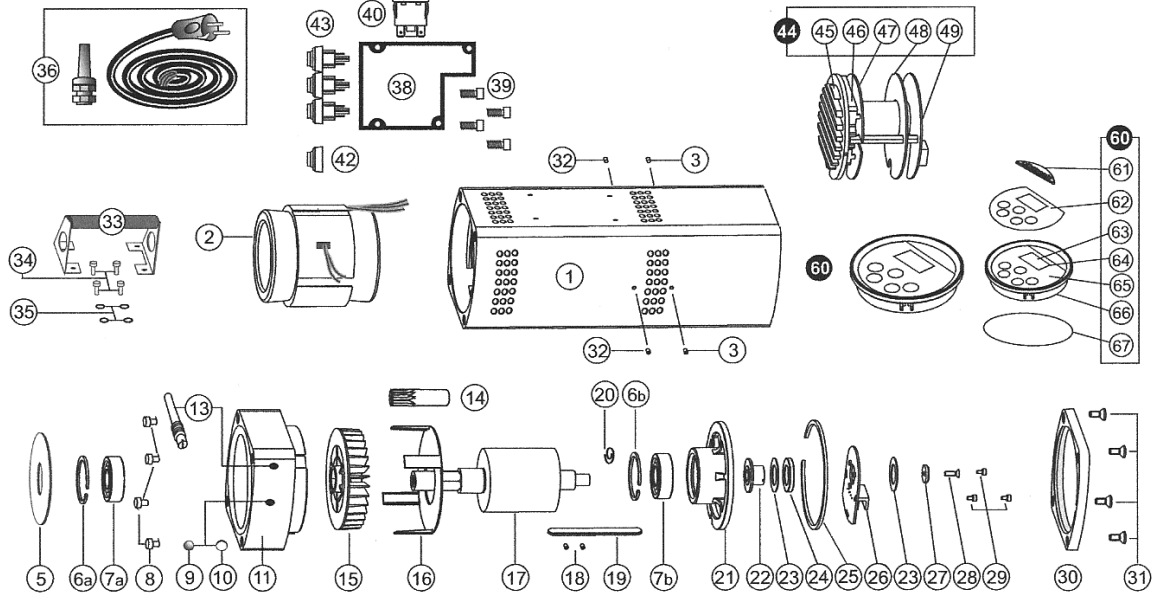


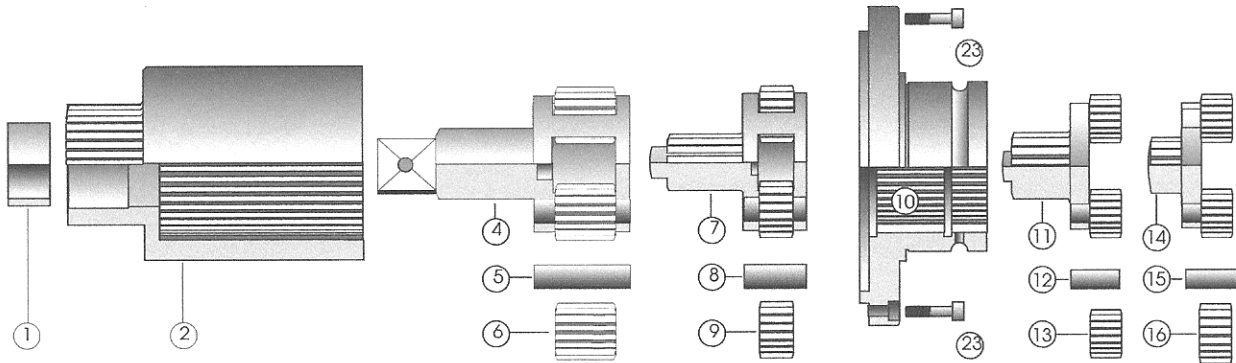
EF1000 Plus (Motor)

Rev. 1.0



Ref #	Part #	Qty	Description	Ref #	Part #	Qty	Description
1	21-13501	1	EF housing	28	21-20724	1	Countersunk screw
2	21-13616	1	Stator with cable & temperature sensors	29	21-20723	3	Hex allen screw
3	21-20726	2	Stud bolt	30	21-13529	1	Closing plate operation unit
5	21-20780	1	Stop Washer	31	21-20026	4	Countersunk screw
6a	21-20719	1	Angular wheel	32	21-20728	2	Stud bolt
6b	21-20721	1	Angular wheel	33	21-16882	2	Handle
7a	21-20731	1	Helical ball bearing	34	21-20079	8	Screws
7b	21-20730	1	Deep groove ball bearing	35	21-20077	8	Toothed plate
8	21-20041	4	Hex. allen screw	36	21-13564	1	Mains cable with screwing
9	21-12419	1	Closing roll	38	21-13560	1	Housing primary operation unit
10	21-20108	30	Ball	39	21-20078	4	Screws
11	21-13706	1	Bearing shell gear	40	21-13562	1	On/Off switch (Power supply)
13	21-13931	1	Blocking pin	42	21-13569	3	Cap (push button)
14	21-13520	1	Motor Shaft Z8	43	21-13561	3	Push button trigger
	21-13521	1	Motor Shaft Z11	44	21-13550	1	Panel electronic complete 45-49
	21-13522	1	Motor Shaft Z 17	45	21-13513	1	Cooling unit
15	21-13504	1	EF ventilating wheel	46	21-13551	1	Power module
16	21-13505	1	EF Spoiler	47	21-13552	1	Circuit board
17	21-13618	1	Rotor	48	21-13553	1	Logic-circuit board
18	21-20728	2	Stud bolt	49	21-13554	1	Mains filter
19	21-13507	1	EF motor feather key	60	21-13531	1	Operation unit LCD compl 61-67
20	21-20740	1	Pretension spring EF-motor	61	21-13540	1	Operating cover
21	21-13503	1	Bearing plate	62	21-13536	1	Keyboard foil LCD
22	21-13508	1	Hard ferrite magnetic support	63	21-13542	1	Acrylic glass
23	21-13514	2	Adjusting washer	64	21-13541	1	Rubber frame
24	21-13515	1	Hard ferrite magnet	65	21-13533	1	Operation housing LCD
25	21-20722	1	Seegeer circlip ring	66	21-13538	1	Operation electronic LCD
26	21-13511	1	Hall sensor circuit	67	21-13539	1	Profile gasket
27	21-20725	1	Intermediate washer				

EF1000 Plus Gearing



Ref #	Part #	Quantity	Description
1	21-20142	1	Sleeve
2	21-10217	1	Gear housing
4	21-10187	1	Gear cage 1 1/2"
5	21-20015	4	Gear pins
6	21-10157	4	Planet gears
7	21-10177	1	Gear cage
8	21-20013	3	Gear pins
9	21-10156	3	Planet gears
10	21-12416	1	Rotary housing
11	21-10164	1	Gear cage L
12	21-10142	3	Bearing pins
13	21-10145	3	Planet gears
14	21-10149	1	Gear cage
15	21-10142	3	Bearing pins
16	21-10145	3	Planet gears
23	21-20062	4	Hexagon Screw