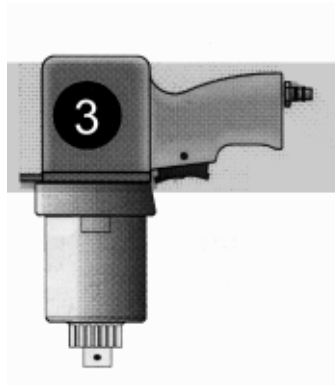
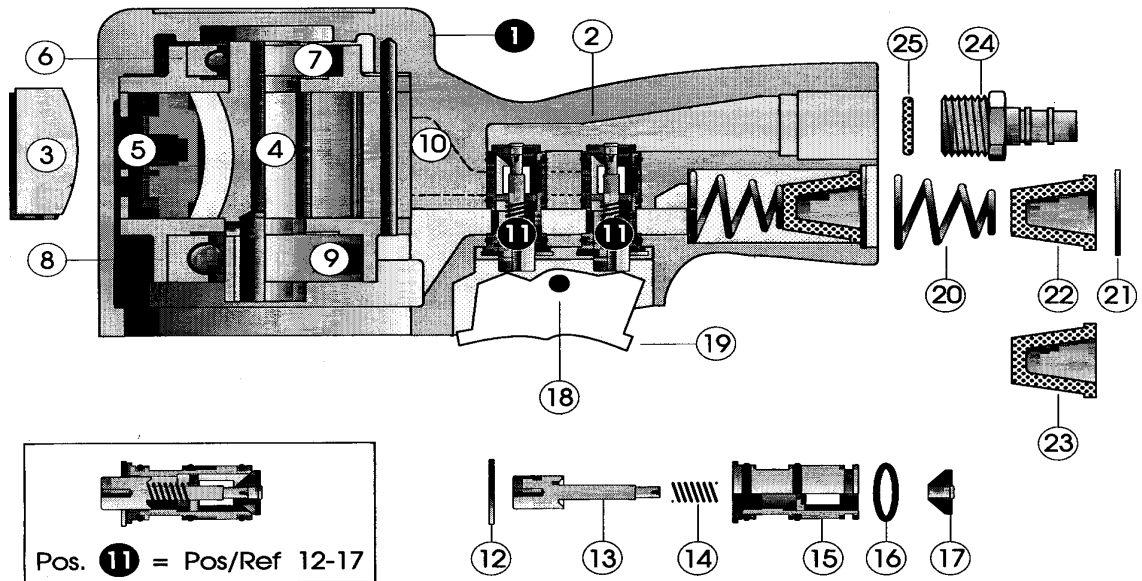


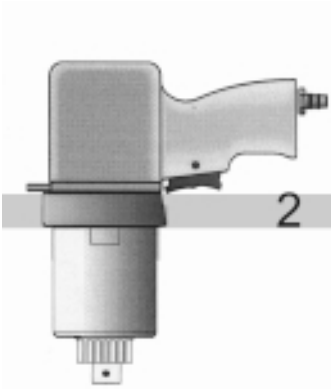
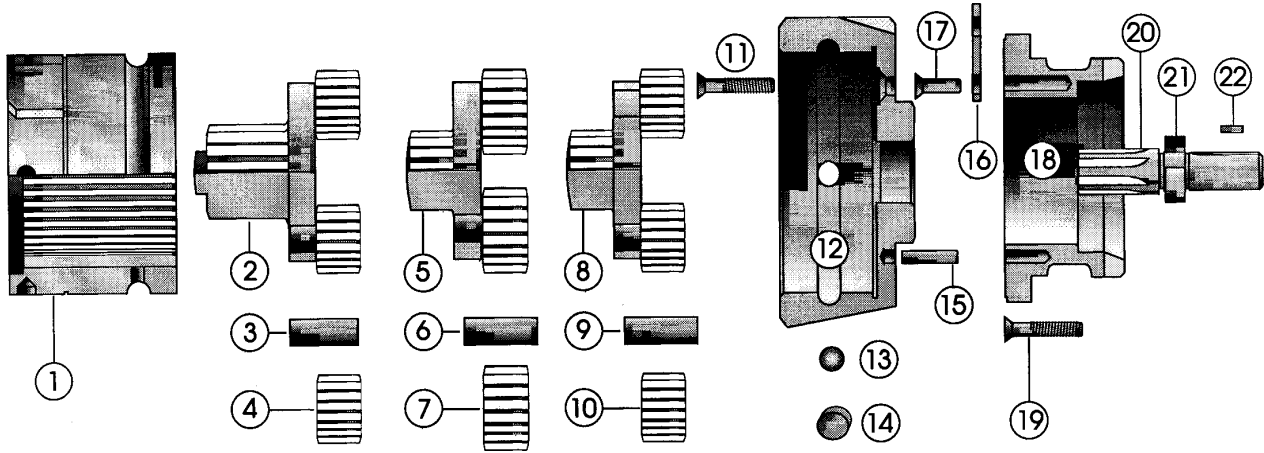
# CLD 380 Handle

Rev 1.0



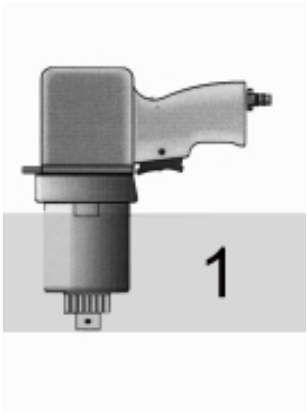
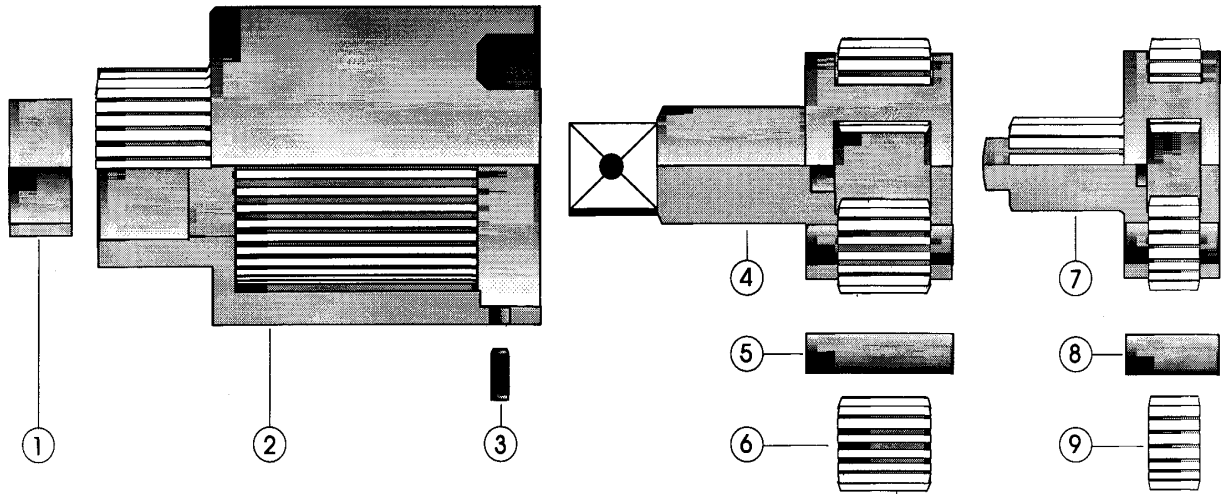
Ref#	Part#	Qty	Description	Ref#	Part#	Qty	Description
1	21-14600	1	Motor compl.	13	21-14611	1	Valve pin
2	21-14602	1	Motor housing	14	21-20131	1	Spring
3	21-14603	6	Plate	15	21-14613	1	Intake bush
4	21-14604	1	Rotor	16	21-20214	3	O-type sealing ring
5	21-14605	1	Rotor cylinder	17	21-14612	1	Semi-sphere
6	21-14606	1	Cover plate	18	21-14618	1	Parallel pin
7	21-20118	1	Groove ball bearing	19	21-14617	1	Tilt lever
8	21-14608	1	Cover plate	20	21-20134	1	Spring
9	21-20119	1	Groove ball bearing	21	21-20152	1	Circlip
10	21-20008	1	Parallel pin	22	21-14626	1	Filter
11	21-14615	2	Valve compl. (Pos 12-17)	23	21-14627	1	Sound absorber
12	21-20151	1	Circlip	24	21-20360	1	Nipple
				25	21-14625	1	Filter disk

# CLD 380 Intermediate Gearing



Ref#	Part#	Qty	Description	Ref#	Part#	Qty	Description
1	21-14152	1	Rotary housing	12	21-14107	1	Bearing shell C
2	21-10165	1	Gear cage	13	21-20108	30	Ball RB-8
3	21-10142	3	Bearing pins	14	21-12419	1	Closing roll
4	21-10144	3	Planet gears	15	21-20001	2	Parallel pin 5x16
5	21-10160	1	Gear cage	16	21-14108	1	Suspension eyelet
6	21-10142	3	Bearing pins	17	21-20024	2	Grooved drive stud 4x12
7	21-10144	3	Planet gears	18	21-14102	1	Motor flange
8	21-10162	1	Gear cage	19	21-20027	4	Countersunk screw M6x20
9	21-10142	3	Bearing pins	20	21-14112	1	Motor shaft
10	21-10143	3	Planet gears	21	21-14109	1	Shrink ring
11	21-20027	4	Countersunk screw M6x20	22	21-20139	1	Feather key

# CLD 380 Main Gear Box



Ref#	Part#	Qty	Description
1	21-20141	1	Sleeve
2	21-10218	1	Gear housing
3	21-20020	4	Stud bolts
4	21-10188	1	Gear cage 1 1/2"
5	21-20014	4	Gear pins
6	21-10159	4	Planet gears
7	21-10174	1	Gear case
8	21-20011	4	Gear pins
9	21-10158	4	Planet gears