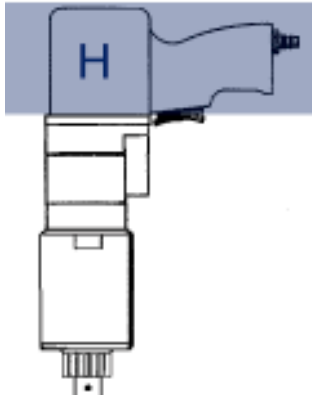
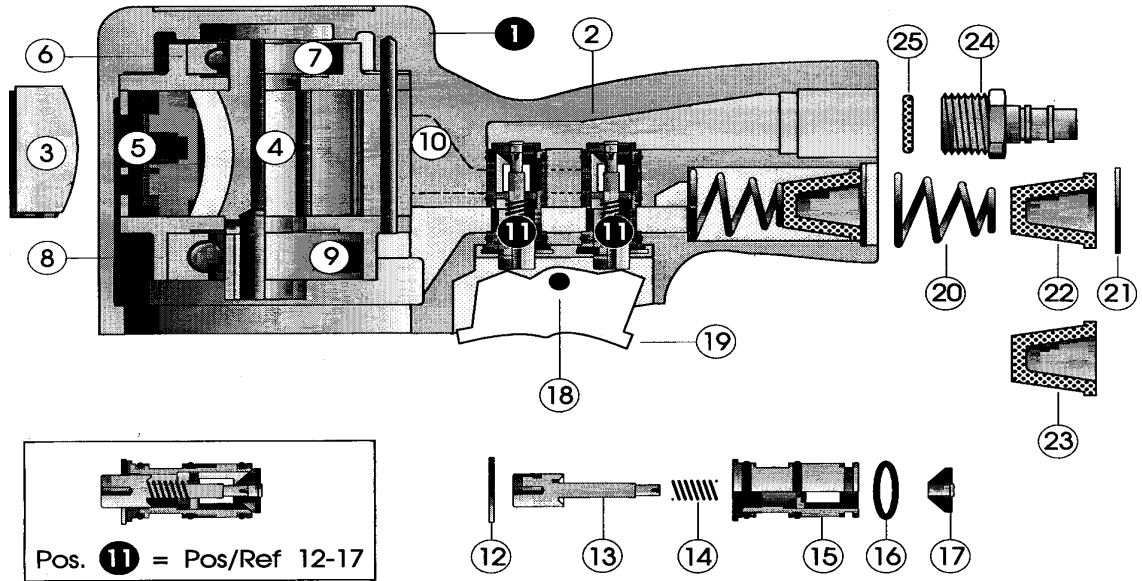


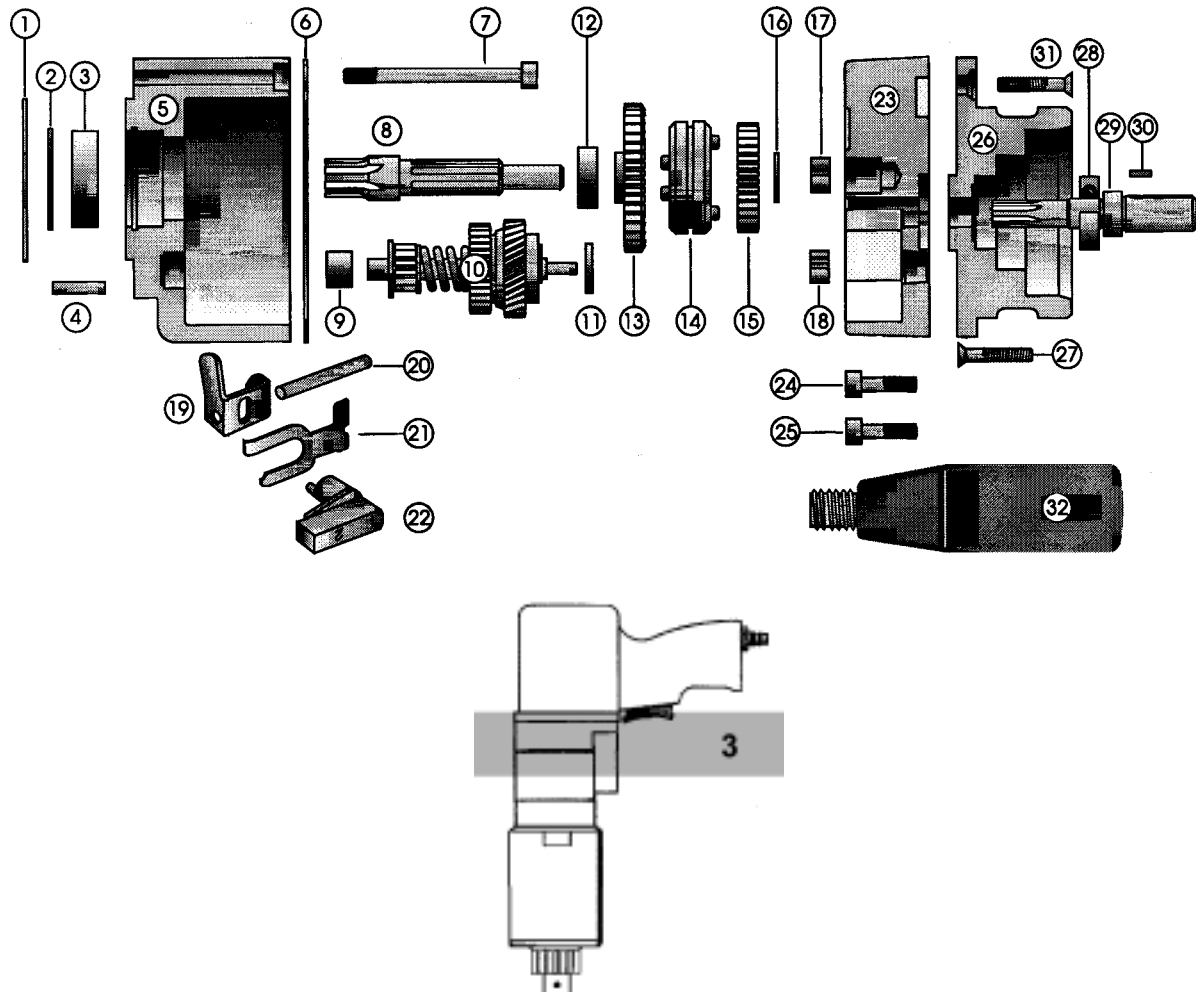
# CLS 2/100 1" Dr. Handle

Rev 1.0



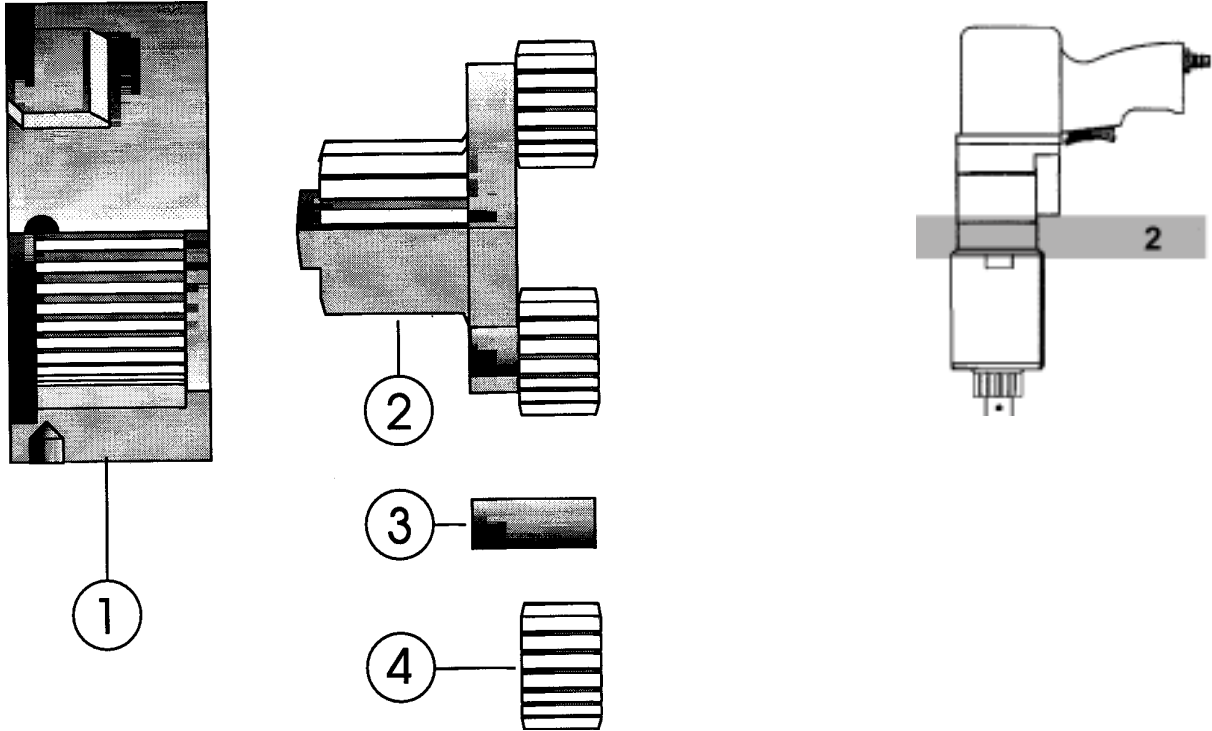
Ref#	Part#	Qty	Description	Ref#	Part#	Qty	Description
1	21-14600	1	Motor compl.	13	21-14611	1	Valve pin
2	21-14602	1	Motor housing	14	21-20131	1	Spring
3	21-14603	6	Plate	15	21-14613	1	Intake bush
4	21-14604	1	Rotor	16	21-20214	3	O-type sealing ring
5	21-14605	1	Rotor cylinder	17	21-14612	1	Semi-sphere
6	21-14606	1	Cover plate	18	21-14618	1	Parallel pin
7	21-20118	1	Groove ball bearing	19	21-14617	1	Tilt lever
8	21-14608	1	Cover plate	20	21-20134	1	Spring
9	21-20119	1	Groove ball bearing	21	21-20152	1	Circlip
10	21-20008	1	Parallel pin	22	21-14626	1	Filter
11	21-14615	2	Valve compl. (Pos 12-17)	23	21-14627	1	Sound absorber
12	21-20151	1	Circlip	24	21-20360	1	Nipple
				25	21-14625	1	Filter disk

# CLS 2/100 1" Dr. Upper Gearing



Ref#	Part#	Qty	Description	Ref#	Part#	Qty	Description
1	21-10141	1	Stop washer	17	21-20100	1	Sintered bearing
2	21-20150	1	Angular wheel	18	21-20103	1	Bearing
3	21-20102	1	Deep groove ball bearing	19	21-10111	1	Indexing slide
4	21-20001	2	Parallel pin	20	21-20002	1	Parallel pin
5	21-10100	1	Change gearbox	21	21-10109	1	Retaining spring
6	21-10117	1	Gasket	22	21-10108	1	Switch lever
7	21-20037	3	Allen screw M5x55	23	21-14207	1	Gear flange
8	21-10103	1	Motor shaft	24	21-20032	1	Allen screw M4x18
9	21-20101	1	Needle bearing	25	21-20028	1	Allen screw M4x30
10	21-10112	1	Intermediate gear	26	21-14202	1	Motor flange
11	21-20090	1	Washer, thick	27	21-20027	4	Countersunk screw M6x20
12	21-10104	1	Angular housing	28	21-20112	1	Bearing
13	21-10116	1	Spindle wheel II	29	21-14114	1	Motor shaft
14	21-10115	1	Jumper ring compl.	30	21-20139	1	Feather key
15	21-10114	1	Spindle wheel I	31	21-20026	2	Countersunk screw M5x20
16	21-20091	1	Washer, thin	32	21-20222	1	Handle

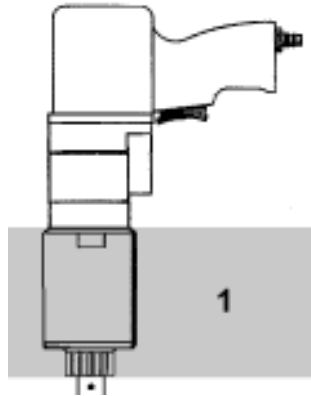
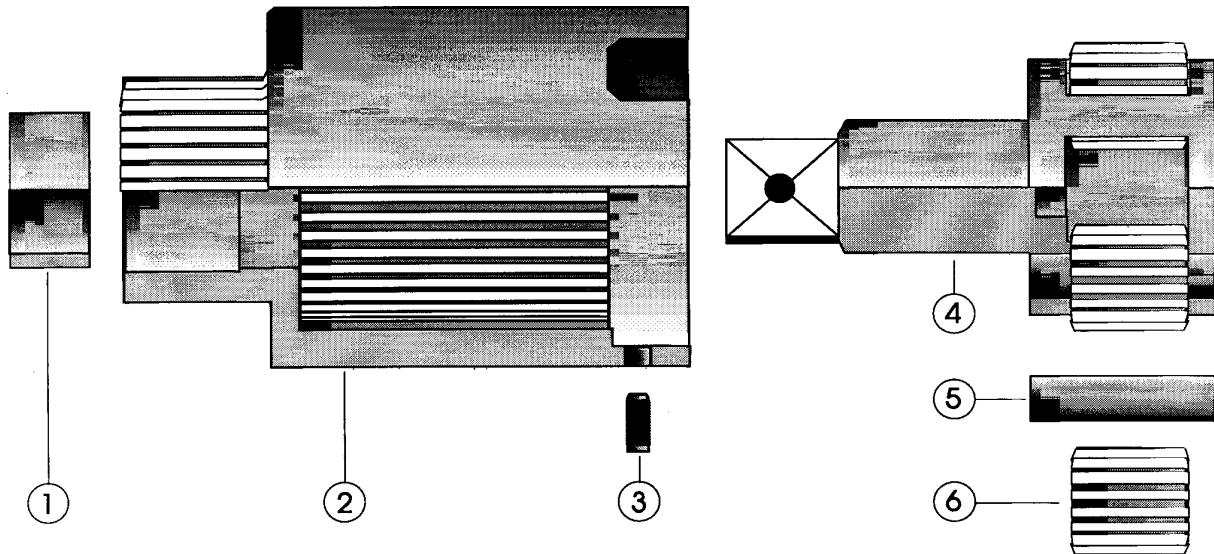
**CLS 2/100 1" Dr. Intermediate Gearing**



<u>Ref#</u>	<u>Part#</u>	<u>Qty</u>	<u>Description</u>
1	21-20130	1	Gear housing
2	21-10167	1	Gear cage
3	21-10142	3	Bearing pins
4	21-10143	3	Planet gears

# CLS 2/100 1" Dr. Main Gear Box

Rev 1.0



Ref#	Part#	Qty	Description
1	21-20140	1	Sleeve
2	21-10212	1	Gear housing
3	21-20020	4	Stud bolts
4	21-10182	1	Gear cage 1 "
5	21-20011	4	Gear pins
6	21-10148	4	Planet gears