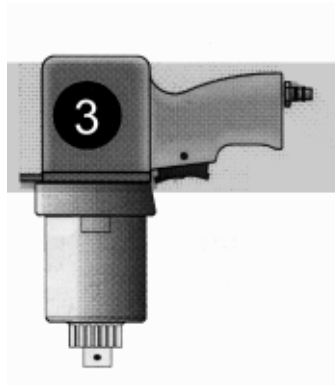
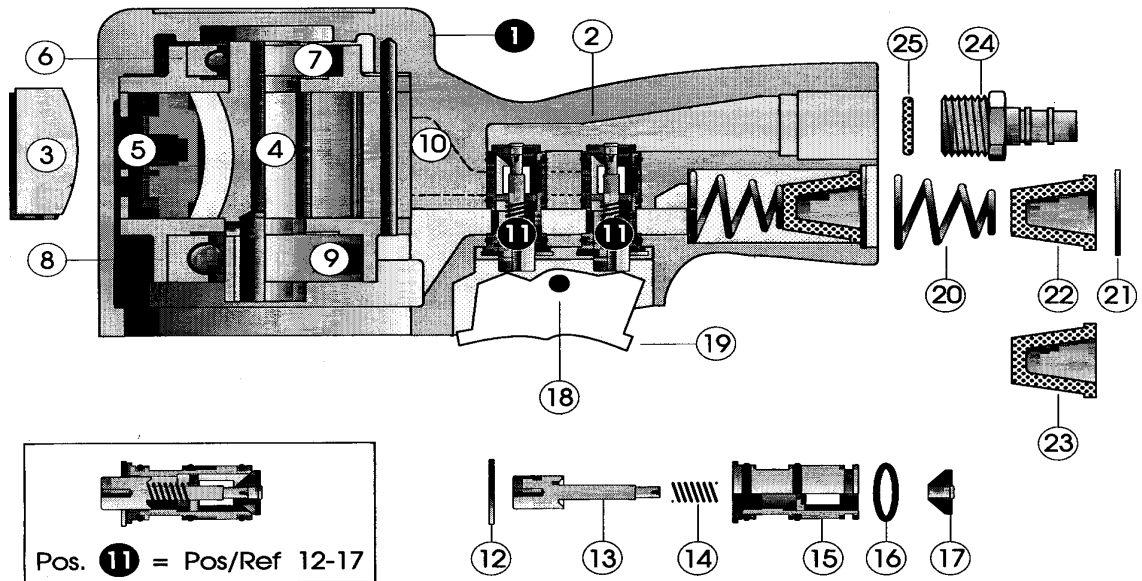


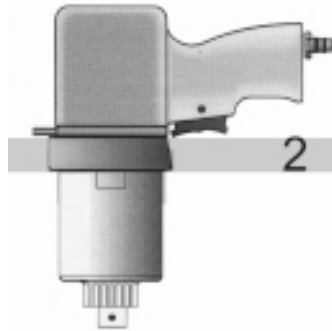
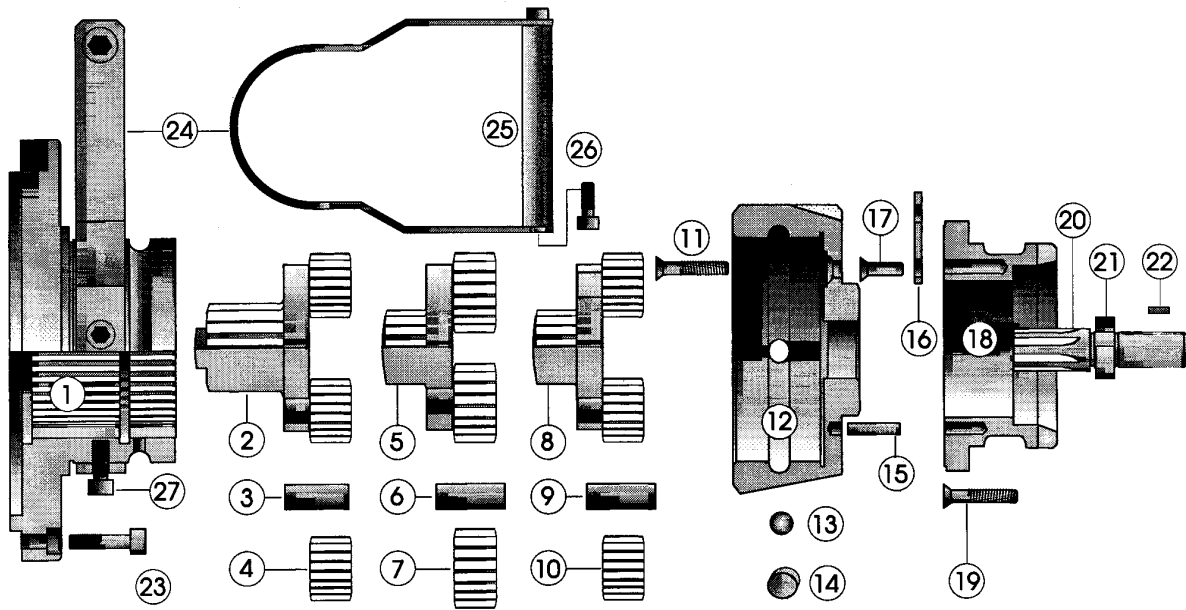
# CLD 780 Handle

Rev 1.0



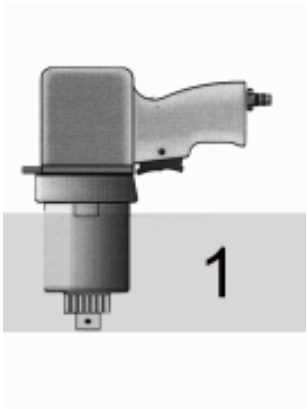
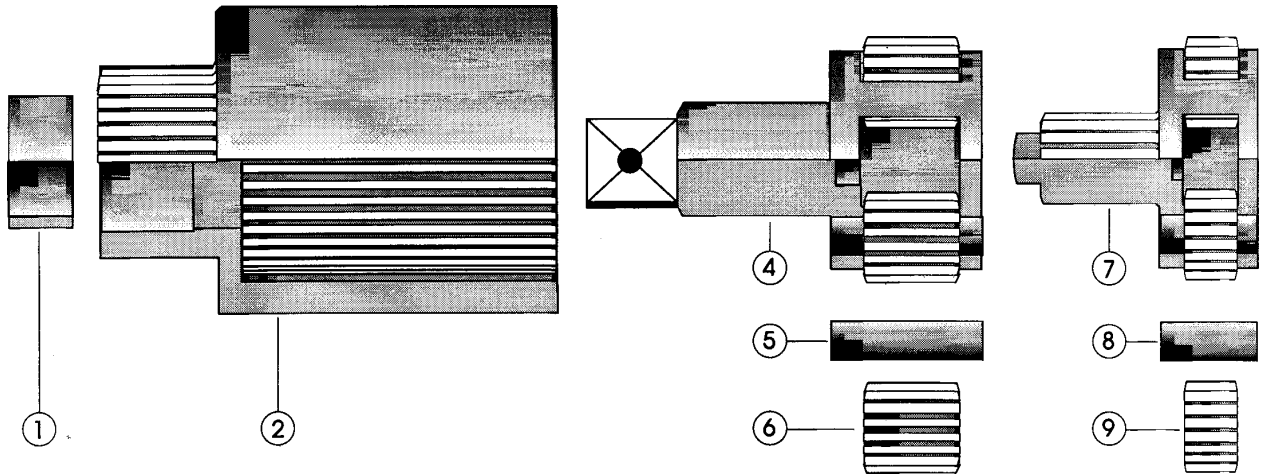
Ref#	Part#	Qty	Description	Ref#	Part#	Qty	Description
1	21-14600	1	Motor compl.	13	21-14611	1	Valve pin
2	21-14602	1	Motor housing	14	21-20131	1	Spring
3	21-14603	6	Plate	15	21-14613	1	Intake bush
4	21-14604	1	Rotor	16	21-20214	3	O-type sealing ring
5	21-14605	1	Rotor cylinder	17	21-14612	1	Semi-sphere
6	21-14606	1	Cover plate	18	21-14618	1	Parallel pin
7	21-20118	1	Groove ball bearing	19	21-14617	1	Tilt lever
8	21-14608	1	Cover plate	20	21-20134	1	Spring
9	21-20119	1	Groove ball bearing	21	21-20152	1	Circlip
10	21-20008	1	Parallel pin	22	21-14626	1	Filter
11	21-14615	2	Valve compl. (Pos 12-17)	23	21-14627	1	Sound absorber
12	21-20151	1	Circlip	24	21-20360	1	Nipple
				25	21-14625	1	Filter disk

# CLD 780 Intermediate Gearing



Ref#	Part#	Qty	Description	Ref#	Part#	Qty	Description
1	21-14154	1	Rotary housing	14	21-12419	1	Closing roll
2	21-10163	1	Gear cage	15	21-20001	2	Parallel pin 5x16
3	21-10142	3	Bearing pins	16	21-14108	1	Suspension eyelet
4	21-10144	3	Planet gears	17	21-20024	2	Grooved drive stud 4x12
5	21-10160	1	Gear cage	18	21-14102	1	Motor flange
6	21-10142	3	Bearing pins	19	21-20027	4	Countersunk screw M6x20
7	21-10144	3	Planet gears	20	21-14112	1	Motor shaft
8	21-10162	1	Gear cage	21	21-14109	1	Shrink ring
9	21-10142	3	Bearing pins	22	21-20139	1	Feather key
10	21-10143	3	Planet gears	23	21-20059	6	Hexagon screw M6x18
11	21-20027	4	Countersunk screw M6x20	24	21-10138	1	Carryin strap
12	21-14107	1	Bearing shell C	25	21-10140	1	Grip
13	21-20108	30	Ball RB-8	26	21-20050	2	Hexagon screw M8x20
				27	21-20045	3	Hexagon screw M6x10

# CLD 780 Main Gear Box



Ref#	Part#	Qty	Description
1	21-20142	1	Sleeve
2	21-10301	1	Gear housing
4	21-10308	1	Gear cage 1½"
5	21-20015	4	Gear pins
6	21-10306	4	Planet gears
7	21-10304	1	Gear cage
8	21-20013	3	Gear pins
9	21-10307	3	Planet gears