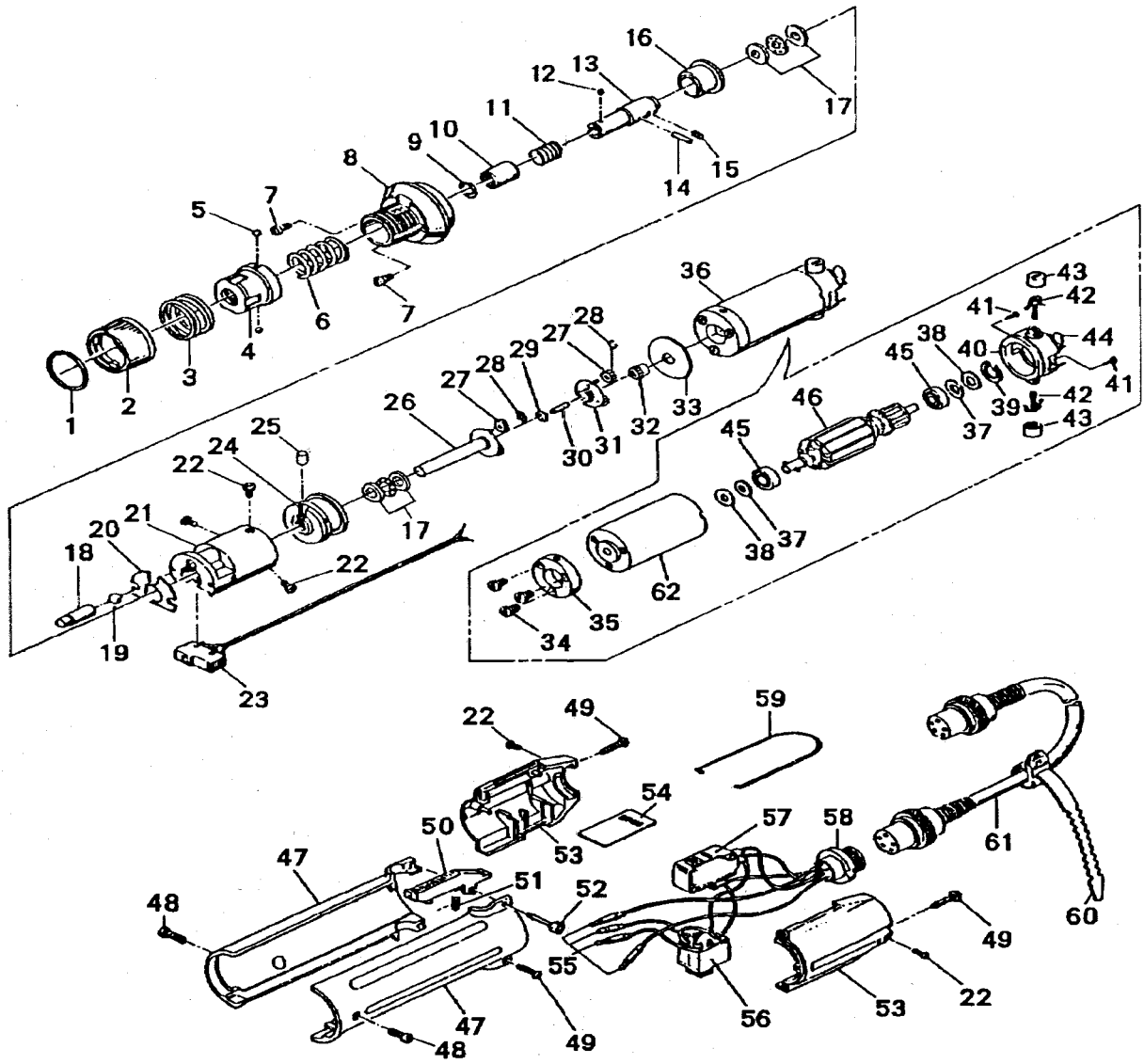


## CL4000 (HEX)

#144110  
Rev 2.0



## CL4000 (HEX)

<u>Ref#</u>	<u>Part Name</u>	<u>Part#</u>	<u>Ref#</u>	<u>Part Name</u>	<u>Part#</u>
	Transmission Assembly 1 – 33 (w/o 23)	41-CL4X-TM		Upper Planet Cage Assembly 27,28,31	41-CL4-3310
	Torque Adjusting Nut Assembly 1 – 5	41-CL4-NT	31	Upper Planet Cage	41-CL4-0310
1	Nut Cover Stopper	41-CL4-0010	32	Pinion Gear	41-CL4-0320
2	Nut Cover	41-CL4-0020	33	Grease Seal	41-CL4-0330
3	Clutch Panel Spring	41-CL4-0030	34	Phil Pan Head Screw 3x5 (x3)	220208
4	Torque Adjusting Nut	41-CL4-0040	35	Motor Front Panel	41-CL4-0350
5	Steel Ball 3.0 (x2)	220058	36	Motor	41-CL4-0360
6	Torque Adjusting Spring 1.2 dia. (Blue)	41-CL3-0060	37	Wave Washer	41-CL4-0370
	Torque Adjusting Spring 1.5 dia. (Red)	41-CL4-0060	38	Rotor Adjusting Washer 0.1	41-CL4-0380-1
7	Phil Pan Head Screw 2.6x10 (x2)	220204		Rotor Adjusting Washer 0.2	41-CL4-0380-2
8	Torque Adjusting Bolt	41-CL4-0080	39	Stop Ring	41-CL4-0390
	Joint Shaft Assembly 9 – 13	41-CL4X-JS		Motor End Cover Assembly 40 – 45	41-CL4-3400
9	Collar Stopper	41-CL4X-0090	40	Motor End Cover	41-CL4-0400
10	Joint Shaft Collar	41-CL4X-0100	41	Self Tap JIS Screw 1.7x10 (x2)	220200
11	Collar Spring	41-CL4X-0110	42	Carbon Brush (Pair)	41-CL4-0420
12	Steel Ball 1.5 mm (x2)	220052	43	Carbon Brush Cap (x2)	41-CL4-0430
13	Joint Shaft	41-CL4X-0130	44	Capacitor	41-CL4-0440
14	Joint Shaft Lock Pin 2x9	41-SR20X090	45	Motor Bearing	41-CL4-0450
15	Skt. Set Cup Pt. Screw 3x3	220100	46	Rotor	41-CL4-0460
16	Clutch Supporter	41-CL4-0160	47	Body Case A & B	41-CL4-0470
	Gear Assembly	41-CL4-GR	48	Phil Pan Head Screw 2.6x6 (x2)	220205
17	Thrust Bearing (x2)	41-CL4-0170	49	Self Tap Screw 2.6x12 (x2)	220300
18	Clutch Ball Rod	41-CL4-0180	50	Switch Lever	41-CL4-0500
19	Steel Ball 5.0	220066	51	Switch Lever Spring	41-CL4-0511
20	Gear Case Plate	41-CL4-0200	52	Switch Lever Plunger	41-CL4-0521
21	Gear Case	41-CL4-0210		Switch Assembly 22, 53-59	41-CL4-SW
22	Phil Pan Head Screw 2.6x5 (x3)	220217	53	Switch Cover A & B	41-CL4-0530
23	Limit Switch	41-CL4-0230	54	Name Plate	41-CL4-0540
24	Internal Gear	41-CL4-0240	55	Terminal Holder (x4)	41-CL4-0550
25	Cam Roller	41-CL4-0250	56	For/Rev Switch	41-CL4-0560
	Lower Planet Cage Assembly 30 – 32	41-CL4-3260	57	Starting Switch	41-CL4-0570
26	Lower Planet Cage	41-CL4-0260	58	5-Pin Connector	41-CL4-0580
27	Planet Gear (x6)	41-CL4-0270	59	Hanger	41-CL4-0590
28	E-Ring (x6)	41-CL4-0280	60	Free-Up Belt	41-CL4-0600
29	Gear Washer	41-CL4-0290	61	5-Core Cord w/connector in both ends	41-CL4-0610
30	Center Pin	41-CL4-0300	62	Magnet Case	41-CL4-0640