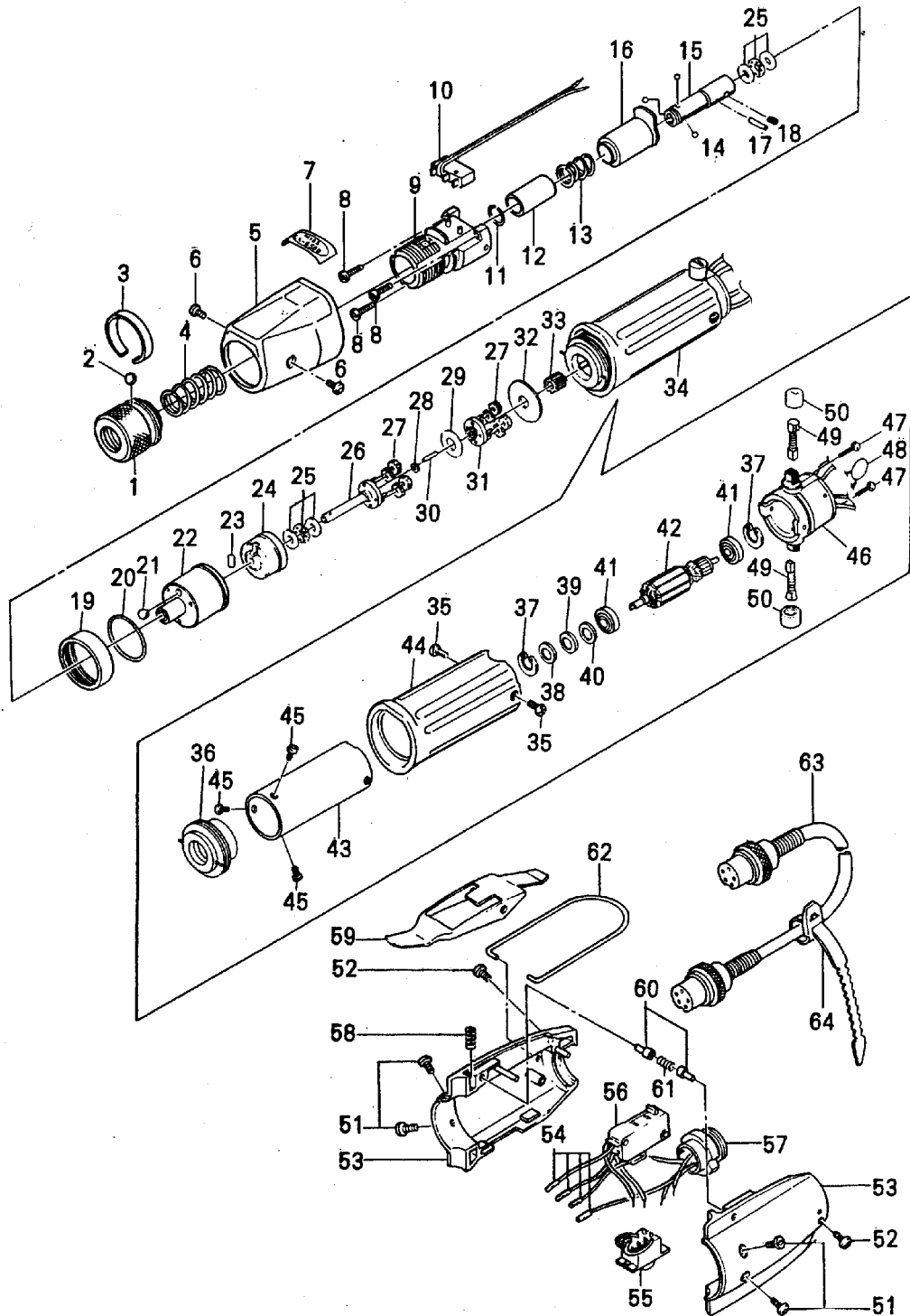


# CL7000ESD

Item # 1441 01  
Rev 1.1



# CL7000ESD

Ref#	Part Name	Part#	Ref#	Part Name	Part#
	Transmission Assembly 1 – 33 (w/o 10)	41-CL7X-TM	33	Pinion Gear	41-CL7-0330
	Torque Adjusting Nut Assembly 1 – 3	41-CL65-NT	34	Motor	41-CL7-0340
1	Torque Adjusting Nut	41-CL65-0010	35	Phil Pan Head Screw 3x5 (x2)	220208
2	Steel Ball 3.0 mm	220058	36	Motor Front Cover	41-CL65-0360
3	Knotting Ball Band	41-CL65-0030	37	Stop Ring	41-CL65-0370
4	Torque Adjusting Spring (Purple)	41-CL7-0040	38	Wave Washer	41-CL65-0380
5	Clutch Cover	41-CL65-0050ESD	39	Rotor Adjusting Washer 0.1	41-CL65-0390
6	Phil Pan Head Screw 3x5 (x2)	220208	40	Rotor Adjusting Washer 0.2	41-CL65-0400
7	Mark Label	41-CL7-0070	41	Motor Bearing (x2)	41-CL65-0410
8	Phil Pan Head Screw 2.6x8 (x3)	220218	42	Rotor	41-CL7-0420
9	Torque Adjusting Bolt	41-CL65-0090	43	Magnet Case (CL-7000)	41-CL-7000MAGN
10	Limit Switch	41-CL4-0230	44	Motor Case	41-CL7-0440
	Joint Shaft Assembly 11 – 16	41-CL65X-JS	45	Phil Pan Head Screw 3x4 (x3)	220201
11	Collar Stopper (C-ring)	41-CL65-0110		Motor End Cover Assembly 37,41,46-50	41-CL65-3470
12	Joint Shaft Collar	41-CL65X-0120	46	Motor End Cover	41-CL65-0470
13	Collar Spring	41-CL65-0130	47	SI Cheese Head Screw 2.6x20 (x2)	220212
14	Steel Ball 2.0 mm (x3)	220054	48	Capacitor	41-CL4-0440
15	Joint Shaft (HEX)	41-CL65X-0150	49	Carbon Brush (x2)	41-CL65-0490
16	Clutch Support	41-CL65-0160	50	Carbon Brush Cap (x2)	41-CL65-0500
17	Center Pin/Joint Shaft Lock	41-DL10-0180	51	Phil Pan Head Screw 3x8 (x4)	220207
18	Skt. Set Cup Pt. Screw 3x3	220100		Switch Assembly 52 – 62 (w/o 58,59)	41-CL65-SW
19	Gear Case Set Ring	41-CL65-0190	52	Phil Pan Head Screw 2.6x5 (x2)	220217
20	O-Ring	41-CL65-0200	53	Switch Cover A & B	41-CL65-0530ESD
	Gear Assembly 21 – 33	41-CL7-GR	54	Terminal Holder	41-CL4-0550
21	Steel Ball 5.5 mm	220068	55	For/Rev Switch	41-CL65-0590
22	Gear Case	41-CL65-0220	56	Starting Switch	41-CL4-0570
23	Cam Roller	41-CL65-0230	57	Pin Connector	41-CL4-0580
24	Internal Gear	41-CL7-0240	58	Switch Lever Spring	41-CL65-0610
25	Thrust Bearing 6x12 (x2)	41-CL65-0250	59	Switch Lever	41-CL65-2640
	Lower Planet Cage Assembly 26,27	41-CL7-3260	60	Switch Lever Plunger (x2)	41-CL65-0620
26	Lower Planet Cage	41-CL7-0260	61	Plunger Spring	41-CL65-0630
27	Planet Gear (x8)	41-CL7-0270	62	Hanger	41-CL65-0651
28	Gear Washer	41-CL4-0280	63	5-Core Cord w/connector in both ends	41-CL65-0661ESD
29	Gear Plate B	41-CL7-0680	64	Free-Up Belt	41-CL65-0670
30	Center Pin	41-CL7-0300			
	Upper Planet Cage Assembly 27,31	41-CL7-3310			
31	Upper Planet Cage	41-CL7-0310			
32	Grease Seal	41-CL7-0320			