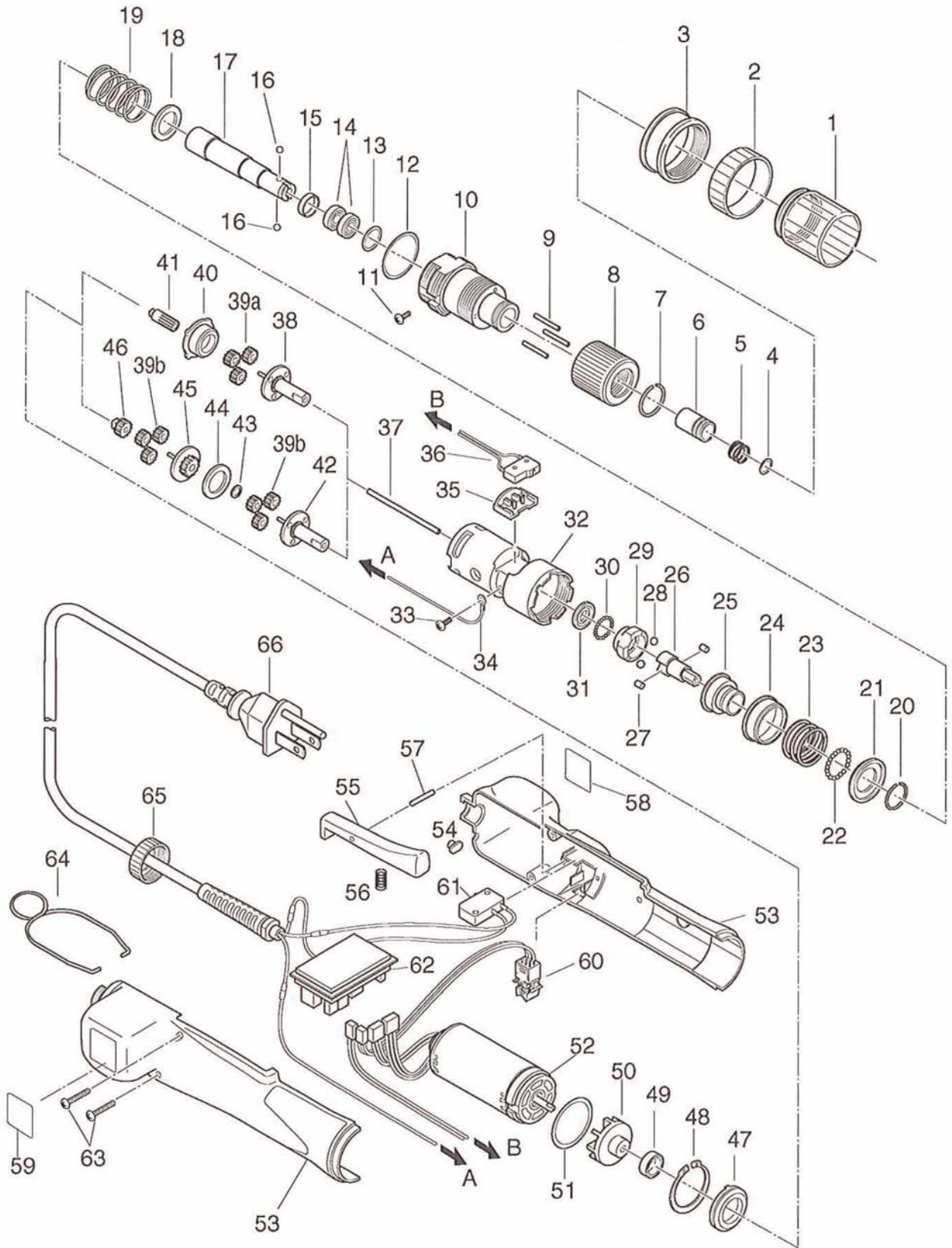


VB-3012 Parts List

Rev 1 (9/14/11)





VB-3012 Parts List

| No. | Part Number | Description | Qty. |
|-----|----------------|--|------|
| 1 | 41-VB18-0920 | Torque Adjusting Protect Cover Front Ring Assy (2 , 3) | 1 |
| 2 | ----- | Rubber Ring | 1 |
| 3 | ----- | Front Ring | 1 |
| 4 | 41-CL65-0110 | Collar Stopper for (4mm HIOS) | 1 |
| | 41-VZ18X-0070 | Collar Stopper for (1/4" F/Hex) | 1 |
| 5 | 41-BL65-0120 | Collar Spring | 1 |
| 6 | 41-VZ18-0081 | Joint Shaft Collar for (4mm HIOS) | 1 |
| | 41-VB18X-0080 | Joint Shaft Collar for (1/4" F/Hex) | 1 |
| 7 | 41-VZ18-0022 | Nut Stopper Ring | 1 |
| 8 | 41-VZ18-0030 | Torque Adjusting Nut | 1 |
| 9 | 41-VZ18-0040 | Knotting Roller for VB-3012 | 3 |
| 10 | 41-VZ18-3050 | Torque Adjusting Bolt (W/Bearing) | 1 |
| 11 | 41-SPP30X025 | Set Screw 3X25 | 1 |
| 12 | 41-M3-0260 | O-Ring 18 dia | 1 |
| 13 | 41-ACL20-0130 | Spring Stopper (4mm HIOS) | 1 |
| | 41-VZ18X-0130 | Spring Stopper (1/4" F/Hex) | 1 |
| 14 | ----- | Bearing 15X10X4 (X2) Included no.10 | 2 |
| 15 | 41-VZ18-0140 | Joint Shaft Stopper | 1 |
| 16 | 41-BALL-025 | Steel Ball 2.5 dia (4mm HIOS) | 2 |
| | 41-BALL-02 | Steel Ball 2.0 dia for (1/4" F/Hex) | 1 |
| 17 | 41-VZ18-0121 | Joint Shaft (4mm HIOS) | 1 |
| | 41-VZ18X-0120 | Joint Shaft (1/4" F/Hex) | 1 |
| 18 | 41-VZ18-0150 | Spring Holder | 1 |
| 19 | 41-VZ18-0161 | Torque Adjusting Spring for VB-3012 | 1 |
| 20 | 41-VZ45-0170 | Thrust Washer Set Ring | 1 |
| 21 | 41-VZ18-0180 | Thrust Washer | 1 |
| 22 | 41-BALL-025 | Steel Ball 2.5 dia | 1 |
| 23 | 41-VZ30-0220 | Clutch Panel Spring | 1 |
| 24 | 41-VZ18-0210 | Clutch Panel Cover | 1 |
| 25 | 41-VZ18-0220 | Clutch Panel | 1 |
| 26 | 41-VZ45-0240 | Cam | 1 |
| 27 | 41-VZ40-0250 | Cam Roller 4.5X4.5 | 2 |
| 28 | 41-BALL-045 | Steel Ball 4.5dia | 2 |
| 29 | 41-VZ18-0262 | Ball Guide | 1 |
| 30 | 41-BALL-025 | Steel Ball 2.5dia | 1 |
| 31 | 41-VZ18-0270 | Thrust | 1 |
| 32 | 41-VZ18-0280 | Gear Case | 1 |
| 33 | 41-SPP30X025 | Set Screw 3x2.5 | 1 |
| 34 | ----- | Ground Connector | 1 |
| 35 | 41-VZ18-0290 | Switch Protector | 1 |
| 36 | 41-CL4-0230 | Limit Switch | 1 |
| 37 | 41-VZ18PS-0690 | Center Pin | 1 |
| 38 | 41-VZ18-0310 | Lower Planet Cage | 1 |
| 39b | 41-VZ18-0370 | Planet Gear for VB-3012 | 3 |
| 40 | 41-VZ18-0330 | Spacer | 1 |
| 41 | 41-VZ18-0360 | Pinion Gear | 1 |
| 42 | 41-VZ30-0360 | Lower Planet Cage | 1 |
| 43 | 41-CL4-0290 | Thrust Washer | 1 |
| 44 | 41-VZ30-0390 | Plate B | 1 |
| 45 | 41-VZ30-0400 | Upper Planet Cage | 1 |
| 46 | 41-VZ30-0410 | Pinion Gear | 1 |
| 47 | 41-ACL20-0351 | Grease Seal | 1 |
| 48 | 41-VZ18-0350 | OV-Ring | 1 |
| 49 | ----- | Bearing (included with No.50) | 1 |
| 50 | 41-VB18-3381 | Fan Assy | 1 |
| 51 | 41-VZ18-0400 | Insulation Ring | 1 |

VB-3012 Parts List

| No. | Part Number | Description | Qty. |
|-----|--------------------|---|------|
| 52 | 41-VB18-0391-120 | Motor | 1 |
| 53 | 41-VB18-0562 | Body Case A&B | 1 |
| 54 | 41-VB18-0020 | OPC Cap | 1 |
| 55 | 41-VB18-0572 | Switch Lever | 1 |
| | 41-VB18-3560 | Circuit Assmly | 1 |
| 56 | 41-VZ18-0591 | Lever Spring | 1 |
| 57 | 41-VB18-0030 | Lever Shaft | 1 |
| 58 | 41-VB18-0601 | Name Plate A (Causion Seal) | 1 |
| 59 | 41-VB3012-0610 | Name Plate B for VB-13012 | 1 |
| 60 | 41-VB18-0521 | For/Rev Switch | 1 |
| 61 | 41-CL4-0570 | Starting Switch | 1 |
| 62 | ----- | PCB Assembly (Included in Circuit Assy) | 1 |
| 63 | 41-B0HD5F35160NITP | Set Screw 3 X 16 | 2 |
| 64 | 41-CL65-0651 | Hanger | 1 |
| 65 | 41-VB18-0643 | End Ring for LEVER type | 1 |
| 66 | 41-VZ18-3650U | AC Cord W/Earth | 1 |

Mountz Calibration & Repair Services

Mountz Inc. features an experienced calibration and repair staff. Our trained technicians can calibrate and repair most any tool. Mountz provides rapid service with quality that you can trust as we offer three state-of-the-art calibration lab and repair facilities that can calibrate up to 20,000 lbf.ft.

With over 45 years of experience, Mountz's in-depth knowledge of torque is reflected in our tool's craftsmanship and our ability to provide solutions to both common and uncommon torque applications. We perform calibrations in accordance with ANSI/NCSL-Z540. Mountz is dedicated solely to the manufacturing, marketing and servicing of high quality torque tools.

Mountz is an ISO 9001 certified and ISO 17025 accredited company.

Tool Service & Repair Capability

- Torque Wrench Calibration: Click Wrench, Dial Torque Wrench, Beam Wrench, Cam-Over & Break-Over Wrench
- Torque Screwdrivers: Dial, Micrometer, Preset & Adjustable
- Torque Analyzers/Sensors: All brands
- Electric Screwdrivers: All brands
- Air Tools: All brands
Impact Wrenches, Drills, Pulse Tools, Grinders, Percussive Tools, Air Screwdrivers, Nutrunners, DC Controlled Nutrunners
- Torque Multipliers: All brands

Mountz Service Locations

Eastern Service Center

19051 Underwood Rd.
Foley, AL 36535
Phone: (251) 943-4125
Fax: (251) 943-4979

Western Service Center

1080 N.11th Street
San Jose, CA 95112
Phone: (408) 292-2214
Fax: (408) 292-2733

Mexico Service Center

Mountz Mexico SA de CV Chihuahua
Av. Cristobal Colon #15343
Col. Paseos de Chihuahua
Chihuahua, Chih. Mexico CP 31125
Phone: (614) 481-0023
Fax: (614) 481-0053

www.mountztorque.com
sales@mountztorque.com

Download a "Service Form" and include a copy when you send the tools in to be serviced.

Looking for fasteners?
www.mrmetric.com

