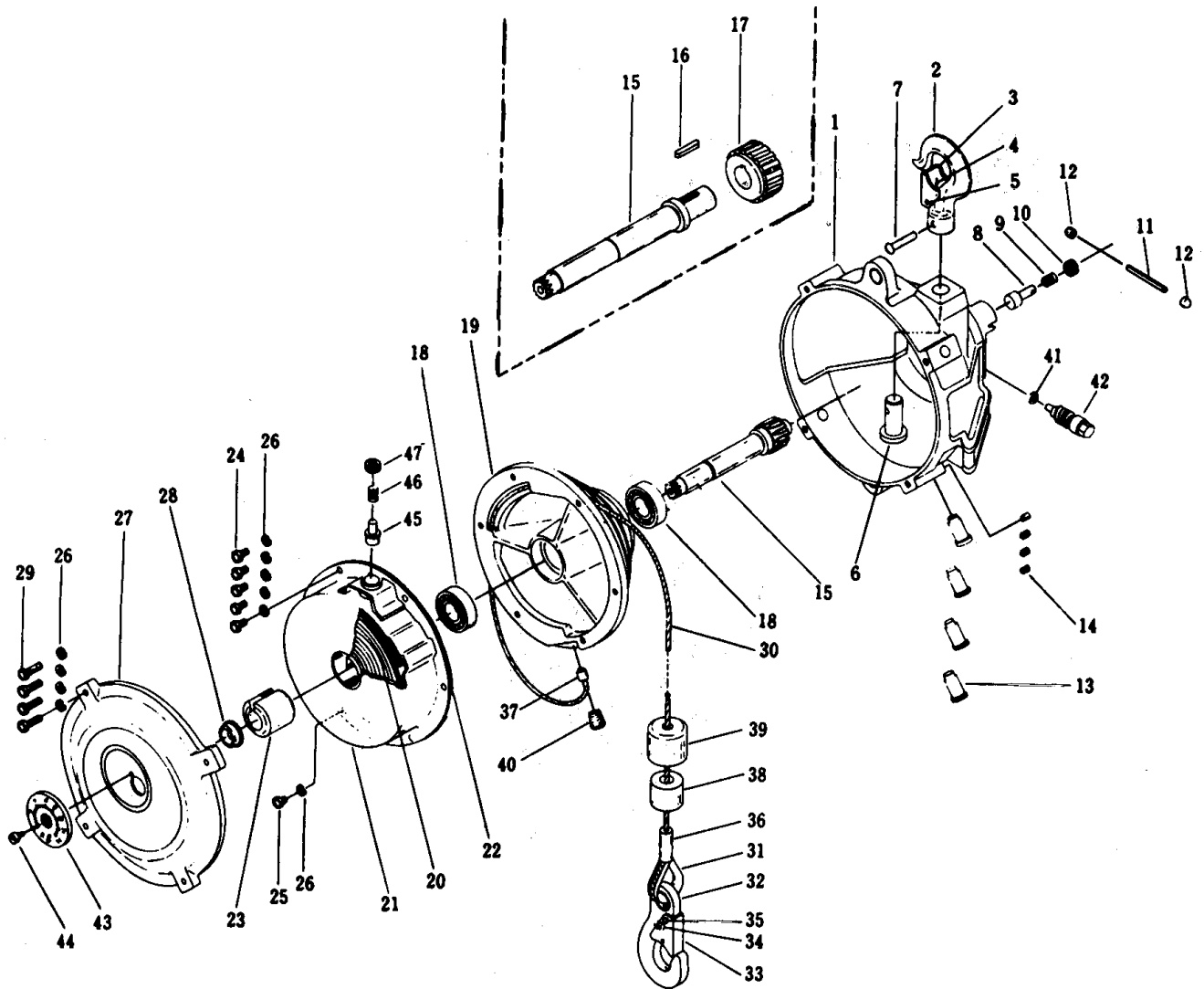


MZ-154 Balancer

Rev 1.0





MZ-154 Balancer

<u>Ref#</u>	<u>Part Name</u>	<u>Part#</u>	<u>Ref#</u>	<u>Part Name</u>	<u>Part#</u>
1	Case	18-40001	29	Hex Bolt	18-SH620
	Main Hanger Set (Items 2-5)	18-22025		Cable Set (Items 30-37)	18-22044
2	Main Hanger	-	30	Cable	-
3	Latch	-	31	Thimble	-
4	Latch Spring	-	32	Load Hook	-
5	Round Rivet	-	33	Load Hook Latch	-
6	Main Hanger Shaft	18-22023	34	Load Hook Latch Spring	-
7	Main Hanger Rivet	18-RR732	35	Round Rivet	-
8	Stopper Pin	18-40055	36	Lock (A)	-
9	Stopper Spring	18-22019	37	Lock (B)	-
10	Stopper Pin Holder	18-22017	38	Collar	18-22049
11	Stop Ring Pin	18-PS340	39	Shock Absorber	18-22050
12	Cap	18-22056	40	Cable Set-Bolt	18-PH1/4
13	Safety Arm	18-22016	41	Thrust Washer	18-40014
14	Hex Cap Screw	18-SH612	42	Worm	18-40013
15	Spindle	18-60010	43	Gage	18-70043
16	Key	18-40012	44	Gage Screw	18-9038
17	Worm Wheel	18-40011	45	Safety Device Pin	18-40021
18	Ball Bearing	18-BB6004	46	Safety Device Spring	18-40020
19	Drum	18-22003	47	Safety Device Spring Screw	18-40018
	Spiral Spring Set (Items 20-22)	18-70008			
20	Spiral Spring	-			
21	Spring Case	-			
22	Spring Case Cover	-			
23	Bushing	18-60009			
24	Hex Bolt	18-SH610			
25	Hex Bolt	18-SH68			
26	Spring Washer	18-WS62			
27	Spring Cover	18-60002			
28	Casing Cover Bushing	18-22015			



Mountz Inc. 1080 N. 11th St., San Jose, CA 95112
Tel: 408-292-2214 Fax: 408-292-2733



ISO 9001