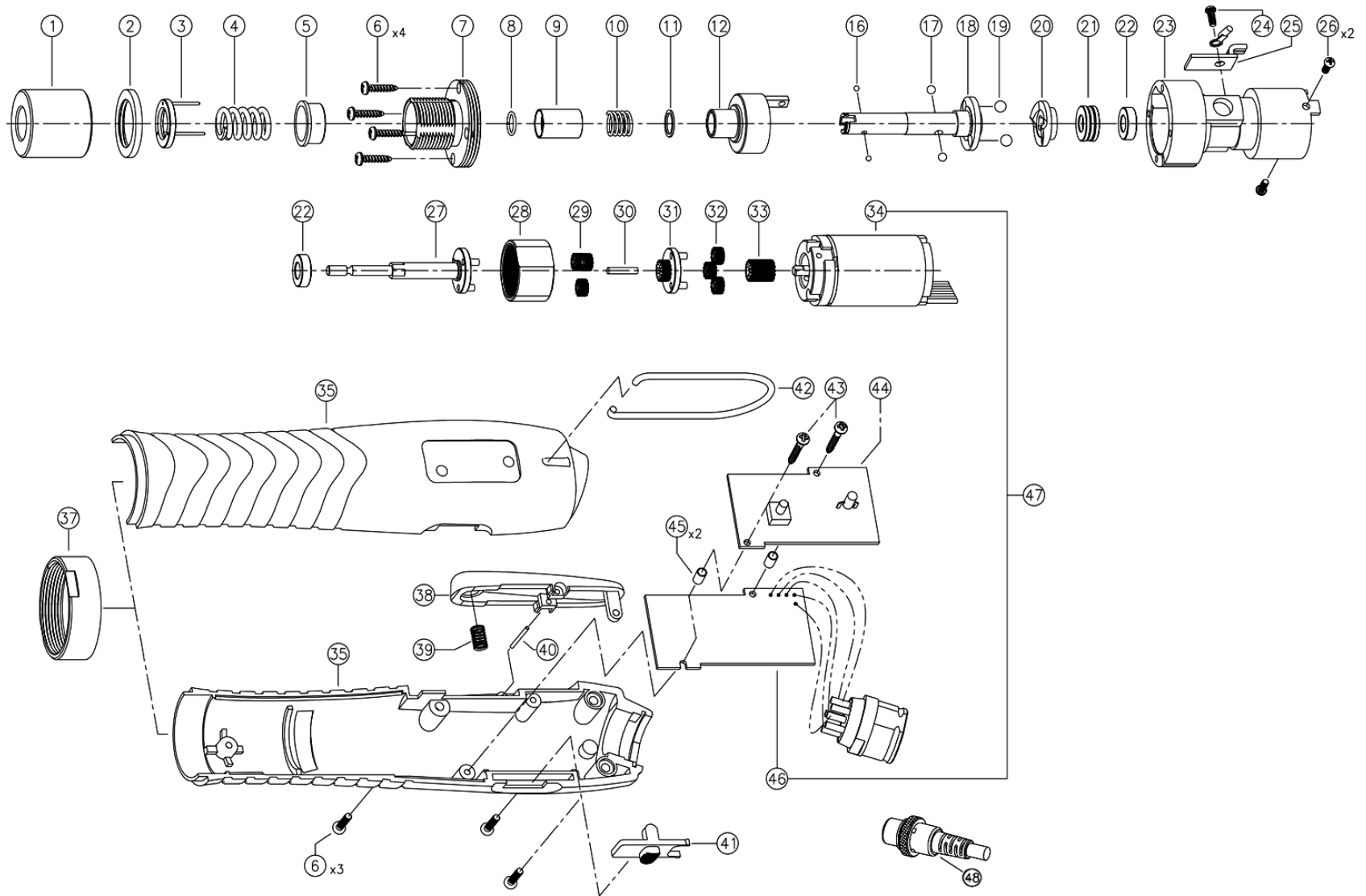


BF045 ESD Model (4mm HIOS)

Rev 2.6 5/7/2014



BF045 ESD Model (4mm HIOS)

Rev 2.6 5/7/2014

No.	Part Number	Description	Qty.	Note	No.	Part Number	Description	Qty.	Note
1	14-5000086	Adjuster	1		33	14-5000118	Pinion Gear	1	
2	14-5000089	Lock Nut	1		34	14-3000195	Motor Assy (Mini BF)	1	
3	14-3000193	Torque Spring Holder Assy	1		35	14-3000926	Housing Set (Mini BF Series)	1	
4	14-5000113	Torque Spring (Bronze)	1		37	14-5000088	Housing Nut (Mini BF)	1	
	14-5000114	Torque Spring (Silver)	1		38	14-3000197	Lever Assy (Mini BF)	1	
5	14-5000130	Torque Spring Support	1		39	14-5000123	Lever Spring	1	
6	14-PSW2602	Screw	7		40	14-PFE1807	Spring Holder Pin	1	
7	14-3000194	Top Cover Assy (Mini)	1		41	14-3000483	Switch Cover Assy	1	
8	14-5000038	Bit Socket Ring	1		42	14-PAL1803	Hook	1	
9	14-5000040	Collar	1		43	14-PSW2601	Screw	2	
10	14-5000039	Collar Spring	1		44	14-3000198	Control PCB Set (BF035)	1	
11	14-5000041	Collar Spring Support	1		45	14-5000125	PCB Supporter	2	
12	14-3000740	Clutch Supporter Assy	1		46	14-3000479	AMP PCB Set (Mini BF)	1	
16	14-PAL1927	Steel Ball	2		47	14-3000203	Motor & Amp & 6Pin Connector N	1	
17	14-PAL1929	Steel Ball	2		48	14-PELZ932A	Cable 6Pin (3M, Standard)	1	
18	14-3000182	Bit Socket Assy	1						
19	14-5000171	Steel Ball	2						
20	14-5000121	Clutch 1.2H	1						
21	14-PFE1920	Thrust Bearing	1						
22	14-PFE1907	Ball Bearing	2						
23	14-3000183	Gear Case Assy	1						
24	14-5000195	Screw	1						
25	14-3000184	Sensor PCB Assy	1						
26	14-PSW2205	Screw	2						
27	14-3000186	BF045 Shaft Assy	1						
28	14-5000119	Ring Gear	1						
29	14-5000191	2nd Idle Gear	3						
30	14-PFE1915	Center Pin	1						
31	14-3000188	Gear Holder Assy (BF045)	1						
32	14-5000116	Idle Gear	3						